

ENERGY

WE ENERGIZE
THE WORLD

CABINET AND ENCLOSURE SYSTEMS

RESISTANT CABINETS FOR
ENERGY DISTRIBUTION

OUTDOOR & INDOOR



Our Cabinet System – Your Success

High performance with first-class cabinets

Elsta Mosdorfer is your reliable partner for polyester cabinet systems in energy distribution, telecommunications, transport technology, and industry. With more than 40 years' experience in this field, today Elsta Mosdorfer is one of the leading international suppliers.



Top protection for technical applications for over 40 years

With our broad range of products, from standard cabinets through to ready-to-connect complete systems, we offer the optimal cabinet for every application. Elsta Mosdorfer's special manufacturing process uses hot pressed, glass fibre reinforced composites. This makes the finished distribution cabinets particularly UV- and weather-resistant – making every investment effective.

An expert in extremely resistant cabinet systems

Our core competencies are the processing of hot-pressed, glass-fibre-reinforced composite materials and the project planning and electrical development of factory-assembled switchgear assemblies. Our special UV- and weather-resistant cabinet systems provide the optimal protection for the electrical components fitted inside.

Design customized to individual requirements

At Elsta Mosdorfer we are always focussed on designing customer-specific solutions – no matter whether these involve empty enclosures or ready-to-connect, complete systems. Through the continuous further development of our product range, we are able to provide optimal support for our customers, even for specific technical challenges.







Premium quality with innovation and attractive prices

To ensure our high quality standards, we subject our products to regular external and internal tests. Elsta Mosdorfer is ISO 9001 and ISO 14001 certified. Innovative solutions for special applications, flexibility, reliability and the optimal value for money make us a trusted partner.

Imprint

Editor and responsible for the content:
ELSTA Mosdorfer GmbH
Bahnstraße 29, 8430 Kaindorf/Sulm, Austria
Phone +43 3452 71660-0
Fax +43 3452 71660-222
office@elsta.com

Errors, changes, and misprints reserved!

General		Page
Solutions for cabinet systems		05
Product portfolio		06
System overview		08
Expertise		09
SMC technology		12
Paintwork & color		13
	Polyester cabinets - freestanding (standard cabinets)	
Degree of protection IP 44 / IP 54		14
	Bases for distribution cabinets	
Ground-mounted bases, Bases for floor-mounting, Base extensions, Fairground bases		64
	Polyester pillars - freestanding	
Degree of protection IP 44 / IP 54		118
	Polyester enclosures - flush-mounted	
Degree of protection IP 44 / IP 54		130
	Polyester enclosures - surface-mounted	
Degree of protection IP 44 / IP 54		148
	Module enclosures - thermoplastic flush-/surface-mounted	
Degree of protection IP 30D / IP 43		164
	Accessories	
Accessories for cabinet series, see the product groups		-
Accessories for distributor construction		172
Surface treatment, paint repair & cleaning		180
Attachment		
Dimensional drawings		A03
Register		A107

Polyester cabinets freestanding
Bases for distribution cabinets
Polyester pillars freestanding
Polyester enclosures flush-mounted
Polyester enclosures surface-mounted
Module enclosures thermoplastic
Accessories

Function and Design determined by your Requirements

Our constant focus is on designing cabinets for customer-specific solutions. We continuously deal with the current tasks in energy distribution, and consider ourselves a cabinet systems partner for the different sectors, markets and customer groups. Our cabinet systems and ready-to-connect distribution systems will form the perfect foundation for your application.

UTILITIES



- energy distribution, metering, measurement, monitoring and switching
- renewable energies
- development and design of network infrastructure
- energy management & smart grid
- electro-mobility

INDUSTRY



- outdoor energy distribution
- clever concepts for smart grids
- reliable protection for control engineering and feedback control systems
- cathodic corrosion protection

BUSINESS & ELECTROTECHNICIANS



- from planning to operation
- standard-compliant design and dimensioning of switchgear assemblies in accordance with IEC 61439

TRAFFIC TECHNOLOGY, SIGNAL TECHNOLOGY & RAILWAY APPLICATIONS



- road traffic: street lighting, traffic light control and light signal systems, traffic control systems and intersection controllers, motorway and tunnel control systems, parking guidance systems, parking guidance systems
- rail traffic & railway applications: switch heating, communication technology, data collection and monitoring, signalling systems, railway earthing systems

TELECOMMUNICATION & IT



- broadband and telephone
- optical fibre technology FTTx (FTTH, FTTB, FTTC), outside plant OSP (passive cabinets, street cabinets), cable distribution boxes and much more
- copper and data networks: LAN, WLAN
- telecommunication technology

PHOTOVOLTAICS & ALTERNATIVE ENERGIES



- distribution of energy from renewable sources (photovoltaic or wind energy)
- development and manufacturing of products in accordance with the region-specific connection conditions of the power grid operators and in accordance with the legal regulations and the requirements of the relevant standards

CABINET- & DISTRIBUTOR CONSTRUCTION



- industrial series production with consistently high quality
- expert and reliable suppliers for switchgear, signalling devices and control equipment
- large assortment of equipment and installation parts in stock
- in-house test laboratory for heating tests

WATER- & WASTEWATER TECHNOLOGY



- control cabinets for pumping stations, sewage treatment plants or lifting equipment
- indicator lights and signal systems
- sprinkler irrigation systems, field irrigation and snowmaking equipment
- protection of components for communication
- grid connection of free-standing equipment

E-MOBILITY



- products for the individual supply of e-charging stations
- from the grid connection through to direct and indirect energy metering systems

Find the right Product

Whether it is outdoors or indoors, ready assembled or for individual configuration

With its extensive product range, Elsta Mosdorfer offers not only cabinet and enclosure systems for various applications and at every possible stage of development, but also the matching accessories. Made of hot-pressed, glass fibre reinforced thermoset polyester, our products score thanks to their particular weather resistance, which ensures they offer the best protection for their technical application.

CABINET AND ENCLOSURE SYSTEMS



Certified cabinet systems and proven enclosure technology from ELSTA Mosdorfer for outdoor and indoor use – as the basis for all the tasks in energy distribution as well as industrial and commercial use.

All series and sizes can be found in this catalog.

DISTRIBUTION CABINETS FOR UTILITIES



- from the cable distribution cabinet to the grid branches and house connections
- low-voltage distribution up to the measuring equipment
- constructed specifically to the region concerned, in accordance with the specifications and design guidelines of the power grid operators

METERING CABINETS AND INSTALLATION DISTRIBUTOR CABINETS



- standard metering cabinets for direct measurement of electric energy
- metering cabinets for gas and combined power/gas metering distributors
- cable distribution cabinets, fuse distributor cabinets and installation distributor cabinets for main distribution after metering

TRANSFORMER CABINETS



Transformer measurement panels from ELSTA Mosdorfer are used as current-measuring devices for large commercial and industrial consumers with high energy requirements, as well as for larger photovoltaic systems or construction sites.

Distribution Cabinets for special Applications

Flexible special solutions for energy distribution

- known and proven distribution systems, adapted to the special requirements of new technologies such as e-mobility or photovoltaics
- distributors for construction site power, power outlets, camping site power through to street lighting – ELSTA Mosdorfer manufactures according to the customer's wishes
- innovative products for integrated solutions in energy distribution, traffic technology, telecommunications and water/wastewater technology

MARKETPLACE DISTRIBUTOR CABINETS POWER OUTLET DISTRIBUTOR CABINETS



Metered and unmetered power outlet distributor cabinets for the power supply in public places, event sites or in commercial and industrial applications.

ENERGY DISTRIBUTION CABINETS FOR CONSTRUCTION SITE



Connection cabinets for grid connection and end distributors for metering and distributing energy on construction sites.

PHOTOVOLTAIC SYSTEMS



- Transformer cabinets for connecting the PV system to the public low-voltage power grid.
- AC collector cabinets (PV-cable distribution cabinets) with and without power grid monitoring system.

CABINETS FOR STREET LIGHTING



The polyester cabinets for street lighting are mainly developed as metering cabinets and serve to connect and control outdoor lighting devices.

CAMPSITE CABINETS



- power outlets for parking spaces
- main and sub-distributors for integrated solutions on large facilities
- distributor cabinets for gas and water connections
- TV, multimedia and network distribution

WATER/WASTEWATER TECHNOLOGY



- control cabinets for pumping stations, sewage treatment plants or lifting equipment
- sprinkler irrigation systems, field irrigation and snowmaking equipment
- connection of freestanding systems to the public power grid

E-MOBILITY DISTRIBUTOR & CONNECTION CABINETS



Distribution cabinets for supply, protection and networking of charging infrastructure for e-mobility.

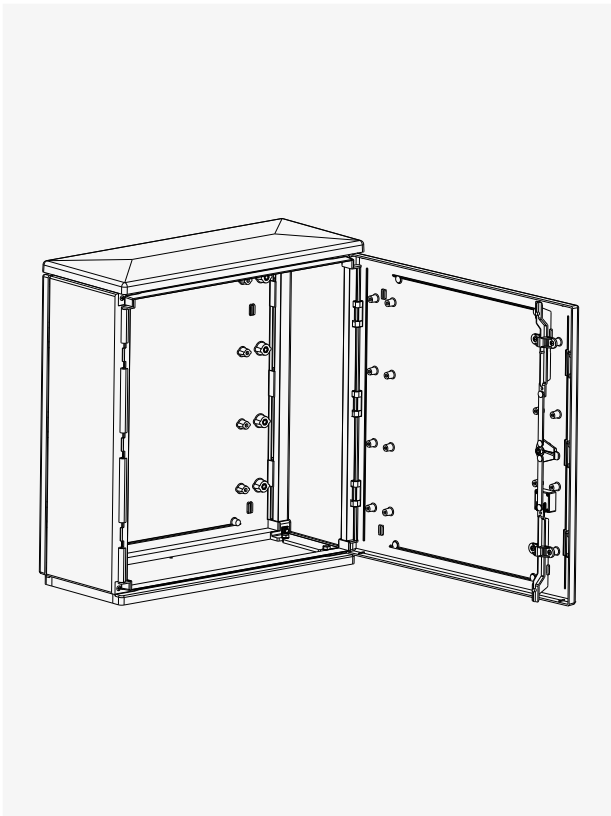
TRAFFIC TECHNOLOGY / SIGNAL TECHNOLOGY & RAILWAY APPLICATIONS



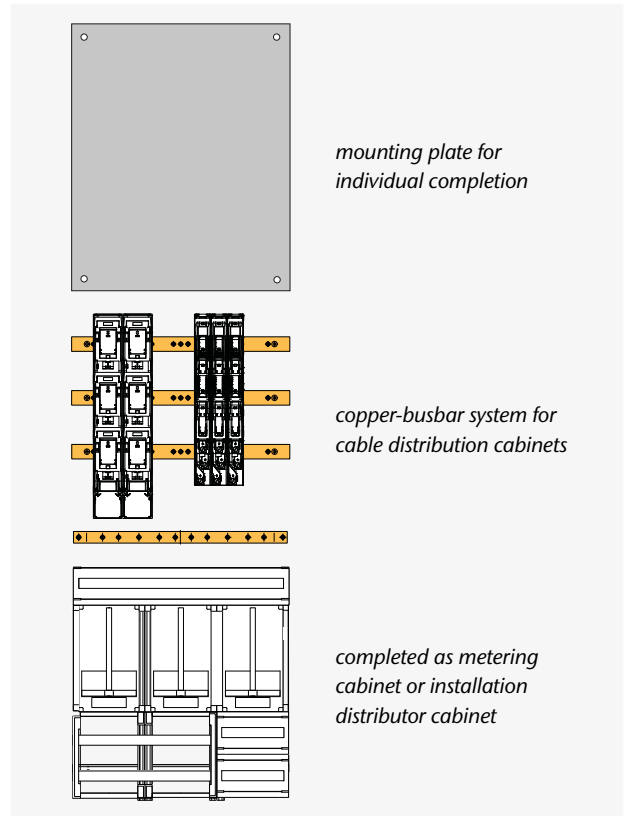
Distribution systems with separate functional compartments or partitioned doors for many applications in energy distribution and control technology in road and rail traffic.

Empty or equipped - always a complete System

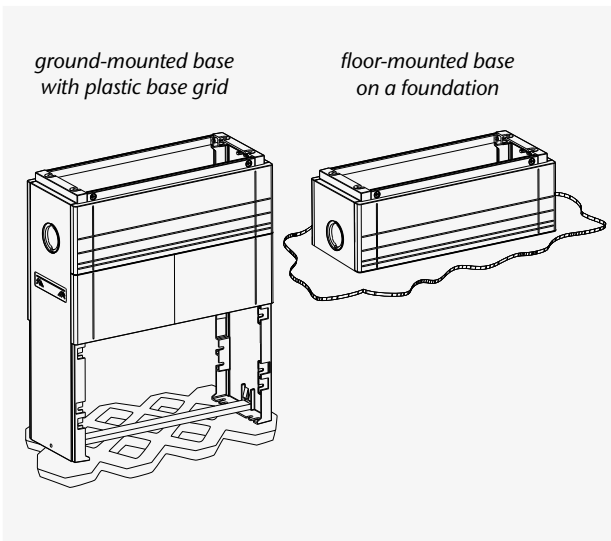
CABINETS (EMPTY)



FEATURES



BASES



ACCESSORIES FOR BASES



Degree of protection of Cabinets

Selection of the appropriate degree of protection for your application

Protection classes as defined by the product standard IEC 61439 for low voltage switchgear and controlgear assemblies.



Originally designed as distribution cabinets for public power grids, ELSTA enclosures are open at the bottom (towards the base) in order to provide the maximum cross section for cable entry. In practise, some applications require a protection of the cabinet against the base with a higher degree of protection.

more on
www.elsta.com/expertise

OVERVIEW	IP 44* catalog type	IP 44 with base plate	IP 54* catalog type	IP 54 with base plate	IP 54 with sealed base plate
typical applications	cable distribution cabinets, metering cabinets and metering pillars	installation switchboards, controlgear (not IP54)	increased protection against water from the outside, customer provides own base plate	telecommunication, traffic control systems	surface-mounting, complete dust protection also against soil

* version without base plate (standard empty housing)

PRACTICAL SOLUTIONS FOR INCREASED PROTECTION

simple base plates

- separate the cabinet from the base to the bottom
- increased protection against the ingress of e.g. animals, plants, water or moisture

sealed base plates

- protect the cabinet against dust entering via the base and even better against rising earth-moist vapour
- Attention: Equipping an IP54 cabinet with sealed base plates leads to increased condensation. The usage of a vent plug and IP54 vapour outlets is strongly recommended!

sealing of the cabinet-base connection with an additional seal

- In combination with sufficient base filler, this solution is a safeguard against the ingress of animals, plants or splash water from the outside via the base into the base cabinet area.

ELSTA has experience in testing and in-house testing equipment available to determine the degree of protection. Contact us if you need further assistance!

WE WILL BE GLAD TO ASSIST YOU IN CHOOSING THE BEST CABINET DESIGN FOR YOUR APPLICATION!

IP protection rating IEC 60529

standardized protection against contact, foreign matter and water

The protection of an enclosure against penetration by foreign matter and water is identified by a letter-number combination. The resulting code defines standardized levels of protection, which are stated as a protection rating.



more on
www.elsta.com/expertise

BASIC PROTECTION BY MEANS OF AN ENCLOSURE

The protection that an enclosure can provide by encasing hazardous or sensitive parts is identified in accordance with IEC 60529 by means of a combination of numbers and letters.

the code defines standardized protection levels against

- **direct contact** with dangerous electrical or mechanical parts (basic protection)
- **penetration by foreign matter** into the protected area
- **penetration by moisture** or water into the protected area and is specified as a protection rating by means of the IP code (International Protection).

Explanations of IEC 61439

explanations of terms, distribution of roles and definition of interfaces

The IEC 61439 series of standards deals with requirements for low-voltage switchgear assemblies and includes all the colloquial “distribution cabinets” from a domestic installation or industrial low-voltage main distribution systems to switching points in the public low-voltage grid.



COOLING CAPACITY OF ENCLOSURES

Only a certain limited amount of power dissipation (P_{max}) can be incorporated in an enclosure so that the temperature inside the enclosure remains below the permissible limit.

As an internal definition, the cooling capacity of the enclosures from ELSTA is specified as the capacity that can be introduced in order to limit the difference between the outdoor temperature and indoor temperature (ΔT) to $\Delta T = 20^\circ C$. This means that at an outside temperature of $35^\circ C$, the internal temperature is a maximum of $35^\circ C + 20^\circ C = 55^\circ C$. Support by means of passive or active cooling measures (e.g. ventilation grilles, fans) is not taken into account.

more on
www.elsta.com/expertise

Strategies against Condensation

special conditions call for special solutions

ELSTA Mosdorfer is one of the pioneers in the field of preventing or minimising condensate in distribution cabinets that stand outdoors to ensure the maximum possible operational reliability and functionality, even under persistently negative outside influences.



HOW DOES CONDENSATE FORM?

- e.g. rising soil moisture in free-standing cabinets or
- caused by unsealed cable ducts with a direct connection in a damp cellar.

WHEN DOES CONDENSATE CAUSE PROBLEMS?

Condensate leads to moisture build-up inside the distribution cabinet and causes problems e.g. by dripping from the roof.

How do base fillers work?

more on
www.elsta.com/expertise

HOW CAN CONDENSATE BE PREVENTED?

The best solution: base filler (Blähton BT or Hydrophob) reduces the rising of soil moisture

It is true of both base fillers that they separate the interior of the cabinet from the (moist) soil in such a way that moisture running off the cabinet is not impeded. In this way, the cabinet can dry out again after water gets in (e.g. from heavy rain or from condensation on the cabinet walls due to sudden cooling after thunderstorms). No damp/condensing cabinet climate occurs.



A Leader in Technology and Material Usage

At ELSTA Mosdorfer we use a technologically sophisticated material to ensure optimum results across the entire performance requirements profile of our cabinet systems: hot-pressed, glass fibre reinforced thermoset polyester (SMC = sheet moulding compound). Not least because of this, we are your first point of contact for long-lasting solutions.



SMC – a flexible multi-talent

SMC is a fibre-reinforced, thermoset plastic that is cured under pressure and temperature in a closed mould. Thermoset means that the shape adopted during the curing can no longer be changed by subsequent temperature effects. SMC is composed of reaction resin, glass fibres (length approximately 12 – 50 mm, weight fraction for distribution cabinets approximately 20 – 30%), fillers, color paste and various additives (e.g. for setting the fire behaviour). Its excellent good mechanical and electrical properties make SMC ideal for use in energy distribution.

The method

Our hydraulic presses, with up to 1,000 tons of pressure, process the mat-shaped starting material (SMC) into robust GRP components, with the SMC material being cut and combined into packages in layers. The size and geometry of the moulding determine both the shape of the package and the curing time. Every three to five minutes, an SMC package is placed in the press mould at a temperature of 150°C and is formed and cured with a pressure of up to 100 kg/cm². The press mould (tool) consists of an upper and lower mould, which are heated electrically or with oil. A hydro-mechanical ejector system is integrated in the moulds, which helps to demould the finished mouldings. The inside of the tools is hardened and polished to achieve the most attractive finish possible on the mouldings and a long tool life. With 1000 or more pieces per year, this method can be used to make thermoset GRP components economically.

The newly developed and unique universal press mould from ELSTA Mosdorfer makes the SMC hot press method interesting even for smaller quantities, because the investment costs for tooling are much lower – so you too can have your components manufactured economically in series quality.

CHARACTERISTICS OF SMC

- | | | |
|------------------------------------|----------------|------------------------------------|
| ■ electrically insulating material | ■ no corrosion | ■ high mechanical strength |
| ■ good temperature resistance | ■ weatherproof | ■ halogen-free |
| ■ simple to process | ■ low weight | ■ no brittling at low temperatures |

Paintings and special Colors

General

All lacquers used at ELSTA Mosdorfer are for outdoor use and are UV-protective.
Special paintings are available on request.



Design

integration into the landscape
corporate identity - draw attention to yourself
matching the wall color (indoor)

Surface protection

painting in cabinet color - "LUV": RAL 7035

Long-lasting UV protection for our standard cabinets in RAL7035 (light grey).
On request, the layer thickness can be increased by ~ 50%. This increases the wear resistance.

anti-graffiti-painting - "AGL": selected colors

In addition to UV protection, this lacquer also offers increased protection against graffiti by making it easier to clean.
The pollution can be removed with a special cleaner.
Available colors: RAL 7035 (light grey), RAL 7032 (pebble grey), RAL 6005 (moss green), RAL 6009 (fir green), RAL 9010 (pure white) and RAL 9016 (traffic white).
On request, and if the quantities to be painted are high enough, other colors are also possible.

standard-painting - "colored": full variety

The ELSTA Mosdorfer standard paint "colored" is also available in small quantities in almost all colors.
Like LUV-painting, it offers good UV protection.

AVAILABLE COLORS ACCORDING TO RAL - LUV/AGL

7035 (light grey) - LUV/AGL	6003 (olive green) - AGL	9016 (traffic white) - AGL
7032 (pebble grey) - AGL	6005 (moss green) - AGL	9010 (pure white) - AGL
	6009 (fir green) - AGL	

POLYESTER CABINETS - FREESTANDING (STANDARD CABINETS)

Polyester cabinets
freestanding



Content

Page

Type overview	17
Description Technical specifications	21
Single cabinets Degree of protection IP 44 / IP 54	24
Cabinet combinations DB Degree of protection IP 44	33
Cabinet combinations Kombi Degree of protection IP 44 / IP 54	42
Cabinet combinations DH Degree of protection IP 44 / IP 54	56
Accessories for freestanding cabinets	62

Standardized plastic cabinets for base mounting

DIN and ÖNORM cabinets and special sizes from hot-pressed, glass fibre reinforced thermoset polyester for installation on a ground-mounted base or a base for floor mounting.

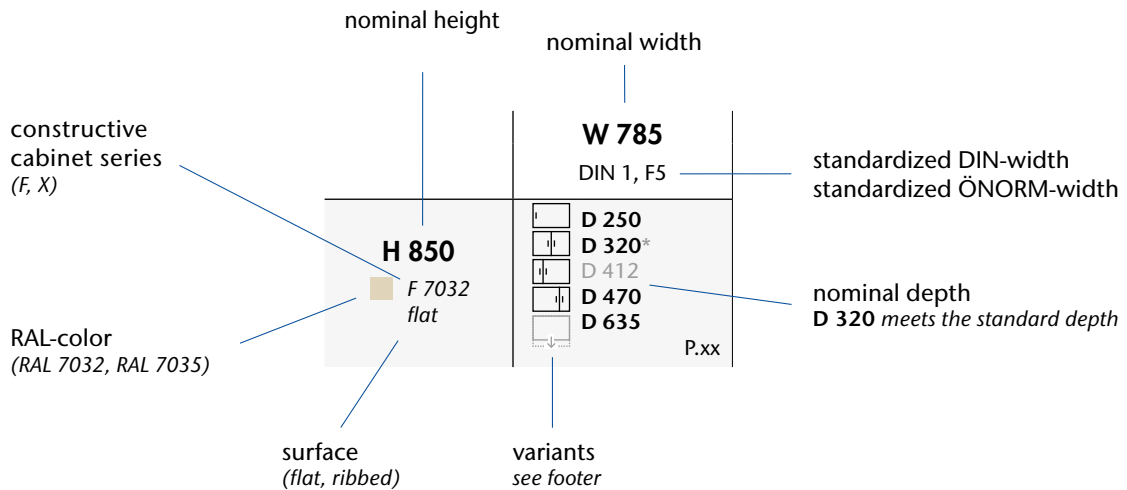
Weather-resistant enclosure systems for outdoor use

The UV-resistant and weather-resistant standard enclosure system is the ideal solution for all tasks in which enclosures are sought for outdoor use. They are installed on a ground-mounted base or on a base for floor mounting (pavement distributor).

availabilities

- *available as standard (see order no.)*
- *optionally available*
- *variant or order no. on request
(availability depending on the required quantity)*

Explanation



PARTITIONED DOORS / SEPARATE FUNCTIONAL AREAS

Standard door

1 door wing 2 door wings

- hinged door with one, resp. two door wings, closeable with one common lever lock
- continuous cabinet interior

Partitioned doors

1/2 - 1/2 doors 1/3 - 2/3 doors 2/3 - 1/3 doors

- separate functional areas, each with its own hinged door
- each door closeable with its own lever lock
- cabinet interior partitioned with partition-bar and wall (optionally without wall)

COLORS & SURFACES

color: RAL 7032 (pebble grey)
surface: flat

color: RAL 7035 (light grey)
surface: ribbed (poster protection)

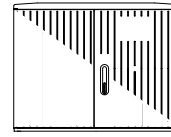
Special paints
on request
see page 13

Single Cabinets

IP 44, IP 54



W 440-785
flat/ribbed
hinged door, 1 door wing



W 1115-1445
flat/ribbed
hinged door, 2 door wings

	W 440 F3/1	W 460 DIN 00	W 590 DIN 0, F4	W 785 DIN 1, F5	W 1115 DIN 2, F6	W 1445 DIN 3
H 650 F 7032 flat P.24	D 250					
H 850 F 7032 flat P.24	D 200 D 250 D 320*		D 250 D 320* D 412 D 470 D 635	D 250 D 320* D 412 D 470 D 635	D 320* D 412 D 470 D 635	
H 850 X 7035 ribbed P.25		D 320*	D 320*	D 320*	D 320*	
H 1080 F 7032 flat P.24	D 250 D 320*		D 250 D 320* D 412 D 470 D 635	D 250 D 320* D 412 D 470 D 635	D 320* D 412 D 470 D 635	
H 1080 F 7035 ribbed P.26			D 250 D 320* D 412 D 470 D 635	D 250 D 320* D 412 D 470 D 635	D 320* D 412 D 470 D 635	D 320* D 412 D 470 D 635
H 1350 F 7032 flat P.27			D 250 D 320* D 412 D 470	D 250 D 320* D 412 D 470	D 320* D 412 D 470	
H 1350 F 7035 flat P.27			D 250 D 320* D 412 D 470	D 250 D 320* D 412 D 470	D 320* D 412 D 470	D 320* D 412 D 470

Polyester cabinets
freestanding

W = width, H = height, D = depth, *detachable variant
Depth 412 as a special depth e.g. for traffic technology or telecom application

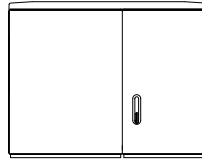
variants: 1/2-1/2 doors 1/3-2/3 doors 2/3-1/3 doors door with label frame detachable variant

Cabinet Combinations

Single cabinets with hinged doors (2 door wings) with continuous interior under one roof.

DB

IP 44



W 880-1570
flat
hinged door, 2 door wings

Polyester cabinets
freestanding

	W 880 440-440 F3/1-F3/1	W 1030 440-590 590-440 F3/1-F4 F4-F3/1	W 1180 590-590 DIN 0-0, F4-F4	W 1225 440-785 785-440 F3/1-F5 F5-F3/1	W 1375 590-785 785-590 DIN 0-1, F4-F5 DIN 1-0, F5-F4	W 1570 785-785 DIN 1-1, F5-F5
H 850 F 7032 flat P.33	D 320	D 320 P.34 P.35	D 320 P.36	D 320 P.37 P.38	D 320 P.39 P.40	D 320 D 470 P.41
H 1080 F 7032 flat P.33	D 320	D 320 P.34 P.35	D 320 P.36	D 320 P.37 P.38	D 320 D 470 P.39 P.40	D 320 D 470 P.41
H 1350 F 7032 flat			D 320 P.36		D 320 D 470 P.39 P.40	D 320 D 470 P.41

W = width, H = height, D = depth

HINTS

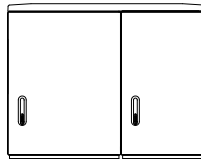
- combination of maximal two single cabinets
- cabinet combinations in color RAL 7035 on request
- cabinet combinations in depth 412 on request

Cabinet Combinations

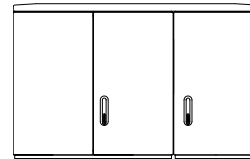
KOMBI

IP 44, IP 54

Separate cabinets under one roof.
Hinged doors can be locked separately.



W 880-1570
flat
hinged door 2x 1 door wing



W 1705-1900
flat
hinged door, 2 door wings + 1 door wing

	W 880 440-440 F3/1-F3/1	W 1030 440-590 590-440 F3/1-F4 F4-F3/1	W 1180 590-590 DIN 0-0, F4-F4	W 1225 440-785 785-440 F3/1-F5 F5-F3/1	W 1375 590-785 785-590 DIN 0-1, F4-F5 DIN 1-0, F5-F4	W 1570 785-785 DIN 1-1, F5-F5	W 1705 590-1115 1115-590 DIN 0-2, F4-F6 DIN 2-0, F6-F4	W 1900 785-1115 1115-785 DIN 1-2, F5-F6 DIN 2-1, F6-F5
H 850 ■ F 7032 flat	D 320 P.42	D 320 P.43 P.44	D 320 P.45	D 320 P.46 P.47	D 320 D 470 P.48 P.49	D 320 D 470 P.50		
H 1080 ■ F 7032 flat	D 320 P.42	D 320 P.43 P.44	D 320 P.45	D 320 P.46 P.47	D 320 D 470 P.48 P.49	D 320 D 470 P.50	D 320 D 470 P.52 P.53	D 320 D 470 P.54 P.55
H 1350 ■ F 7032 flat			D 320 P.45		D 320 D 470 P.48 P.49	D 320 D 470 P.51	D 320 D 470 P.52 P.53	D 320 D 470 P.54 P.55

W = width, H = height, D = depth

HINTS

- combinations of more than two single cabinets on request
- cabinet combinations in color RAL 7035 on request
- cabinet combinations in depth 412 on request

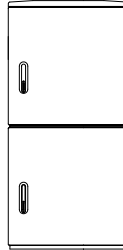
possible variants see single cabinets

Cabinet Combinations

DH

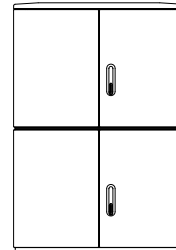
IP 44, IP 54

Separate cabinets on top of each other with a horizontal partition plate.
Hinged doors can be locked separately.



W 590-785
flat

hinged door, 1 door wing



W 1115
flat

hinged door, 2 door wings

	W 590 DIN 0, F4	W 785 DIN 1, F5	W 1115 DIN 2, F6
H 1620 850-850 F 7032 flat P.56	D 320 D 470 D 635 P.56	D 320 D 470 D 635 P.58	D 320 D 470 D 635 P.60
H 1850 850-1080 F 7032 flat P.56	D 320 D 470 D 635 P.56	D 320 D 470 D 635 P.58	D 320 D 470 D 635 P.60
H 1850 1080-850 F 7032 flat P.57	D 320 D 470 D 635 P.57	D 320 D 470 D 635 P.59	D 320 D 470 D 635 P.61
H 2090 1080-1080 F 7032 flat P.57	D 320* D 470 D 635 P.57	D 320* D 470 D 635 P.59	D 320* D 470 D 635 P.61

W = width, H = height, D = depth

*Cabinet combinations DH 1080-1080 in depth 320 are only permitted with additional fastening (above) to a wall.

HINTS

- without horizontal partition plate between lower- and upper cabinet on request
- continuous interior without partition plate and with only one hinged door on request
- floor-mounted bases are only recommended for protected installation on a wall. This applies in particular to cabinets with a height ≥ 1350 mm (e.g. cabinet combinations DH).
- In the case of unprotected installation (full wind load), preferably ground-mounted bases or alternatively cabinet variants with a height of < 1350 mm should be used (e.g. DB or Kombi)!

possible variants see single cabinets

Variants

SINGLE- & DOUBLE-LOCK



lever lock
for one half cylinder
with a overall length of
40/45/50 mm



lever lock
for two half cylinders
with a overall length of
40/45 mm

THREE-POINT-LOCKING PLASTIC OR METAL



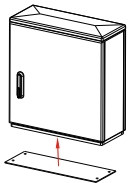
standard
plastic locking bar system
(except H 1350)



metal locking bar system
on request
(H 1350 as a standard)

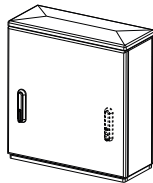
Polyester cabinets
freestanding

BASE PLATE



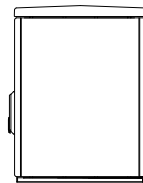
see page 09

DOOR HINGE - POSITION

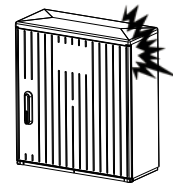


door hinge on the right as standard
door hinge on the left on request

DOORS ON BOTH SIDES

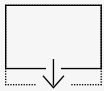


ARCING FAULT TEST



series X
arcing fault test according to
DIN EN 60439-1 supplement 2:2009-05
PIP 005:2016-07

DETACHABLE VARIANT

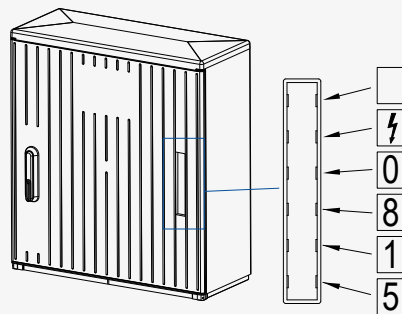


The interior is prepared on side stands with cross members or mounting plates. The cabinet is imposed on and fastened to the side stands (side stands made of galvanized steel or SMC).



detachable variant with
galvanized frame work

DOOR WITH LABEL FRAME



door with label frame

OPERATING DOOR



e.g. for traffic light controls
(police door)

Design / Characteristics

- empty enclosures suitable for development as a switchgear assembly in accordance with IEC 61439
- modular designed, self-supporting plastic enclosure, enabling the replacement of individual cabinet components
- removable baseboard (connection bar) for easier cable insertion
- hot-pressed, glass fibre reinforced thermoset composites, based on unsaturated polyester resin, solid colored and halogen-free
- attachments and locking system of halogen-free thermoplastic, partially glass fibre reinforced and solid colored
- corrosion-resistant material for all metal parts
- freestanding installation on a ground-mounted base or floor-mounted base (distributor connection dimensions in accordance with DIN and ÖNORM)
- M10 threaded inserts in the rear wall for mounting of busbar systems (185 mm), mounting plates and mounting frames.
- fixing points based on DIN 43629 / ÖNORM E 4381

SERIES F

- modular system, available in different heights and depths
- possible combinations of single-cabinets in width (DB, Kombi), depth and height (DH)
- available in color RAL 7032 or RAL 7035 with flat or ribbed surface *
- door opening angle 95°

* Available color / surface depends on the cabinet size
(see type overview)

SERIES X

- standard depth 320 mm in height 850 mm
- single-cabinets in DIN sizes 00 to 2
(no combination options)
- color RAL 7035, ribbed surface
- door opening angle 180°

Standard Design

- hinged door with lever lock for one half cylinder with an overall length of 40/45/50 mm
- without equipment (empty)
- delivered fully assembled
- degree of protection IP 44 or IP 54
- cabinet open in base direction, optionally closeable with base plate
- color RAL 7032 or RAL 7035 (depending on the series)

Special Design

- painted in another RAL color or special coatings to increase the UV resistance and protection against graffiti
- door stay
- with hard-paper mounting plate
- equipped with busbar systems with switchgear, lighting devices, ventilation systems, or heating
- distributors developed to customer specifications
- extensive range of accessories for the installation and expansion

Technical Specifications

field of application	
ambient temperature suitability lower limit	-25 °C (-50 °C) ¹
ambient temperature suitability upper limit / continuous use temperature	max. 120 °C
electrical properties	
safety class	II (DIN EN 61140) assembled correctly
volume resistivity	min. 10 ¹⁴ Ohm cm (IEC 60093)
dielectric strength	min. 130 kV/cm (IEC 60243-1)
comparative tracking index	CTI 600 (IEC 60112)
insulation resistance U _i	AC 1000 V / DC 1500 V (EN 62208, 9.10)
mechanical properties	
protection against mechanical influences	IK 10 (IEC/EN 62262)
thermal properties	
glow wire test	960 °C (EN 60695-2-12)
flammability	HB 40 a,b (EN 60695-11-10)
heat deflection temperature of pressed fixing domes	min. 200 °C (ISO 75-2-method A)
weathering properties	
UV-durability, mechanical	>> 70 % (EN 62208, 9.12)
UV-durability, visual	fibre not visible (Q-UVB-Test – 800h)
corrosion resistance	all metal parts are corrosion resistant
chemical durability	
halogen-free	yes
termite proof	yes
resistant against:	acids: 10% hydrochloric acid, 10% sulfuric acid, 10%, acetic acid salts: sodium/calcium chloride, de-icing salts, brine further: oil, alcohol, bituminous materials, acidic and basic reactants in the soil, urine

¹ Fitness for use in low-temperature applications between -25 °C and -50 °C achieved by a slightly deviant design. Please announce this requirement when ordering.

Standards / Directives

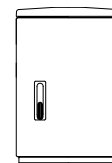
- product standards IEC/EN 61439, IEC/EN 62208
- conforms to Low Voltage Directive 2014/35/EU
- RoHS Directive (EU) 2015/863 (extension to directive 2011/65/EU)
- REACH Regulation (EC) no. 1907/2006 - last update see www.elsta.com/downloads

440x650

WxH

ÖNORM F3/1

Empty cabinet for completion according to IEC 61439
Hinged door with lever lock for half cylinder locks,
without equipment (empty).



F 7032 flat

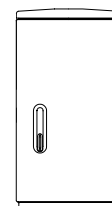
Depth	Series	RAL-color		Front		Variants					External dimensions		P _{max}	Type	Order no.	
		7035	7032	flat	ribs						WxHxD	ΔT=20K			IP 44	IP 54
250	F		●	●							440x654x250	55 W	F3/1 650/250	1443.1	1443.54	

440x850

WxH

ÖNORM F3/1

Empty cabinet for completion according to IEC 61439
Hinged door with lever lock for half cylinder locks,
without equipment (empty).



F 7032 flat

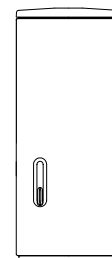
Depth	Series	RAL-color		Front		Variants					External dimensions		P _{max}	Type	Order no.	
		7035	7032	flat	ribs						WxHxD	ΔT=20K			IP 44	IP 54
200	F		●	●							440x836x200	60 W	F3/1 850/200	0596.1	0596.54	
250	F		●	●							440x836x250	65 W	F3/1 850/250	1451.1	1451.1.54	
320	F		●	●						○	440x836x322	70 W	F3/1 850/320	0579.1	0579.1.54	

440x1080

WxH

ÖNORM F3/1

Empty cabinet for completion according to IEC 61439
Hinged door with lever lock for half cylinder locks,
without equipment (empty).



F 7032 flat

Depth	Series	RAL-color		Front		Variants					External dimensions		P _{max}	Type	Order no.	
		7035	7032	flat	ribs						WxHxD	ΔT=20K			IP 44	IP 54
250	F		●	●							440x1065x250	70 W	F3/1 1080/250	1452	1452.54	
320	F		●	●						○	440x1065x322	83 W	F3/1 1080/320	0580.1	0580.54	

Accessories

Ground-mounted bases	Bases for floor-mounting	Accessories for freestanding cabinets	General accessories
Page 68	Page 90	Page 62	Page 170

Dimensional Drawings

440x650	440x850	440x1080
Page A03	Page A03	Page A04

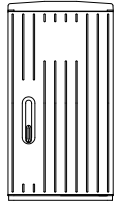
variants: 1/2-1/2 doors 1/3-2/3 doors 2/3-1/3 doors door with label frame detachable variant

460x850

WxH

DIN 00

Empty cabinet for completion according to IEC 61439
Hinged door with lever lock for half cylinder locks,
without equipment (empty).



■ X 7035 ribbed

Depth	Series	RAL-color		Front	flat	ribs	Variants					External dimensions		P _{max}	Type	Order no.	
		7035	7032				WxHxD	ΔT=20K	IP 44	IP 54							
320	X	●	●	●			○	○	○	○	○	460x869x320	74 W	X00 850/320	1733	1733.54	

Polyester cabinets freestanding

Accessories

Ground-mounted bases	Bases for floor-mounting	Accessories for freestanding cabinets	General accessories
Page 69	Page 91	Page 62	Page 170

Dimensional Drawings

460x850
Page A04

variants: 1/2-1/2 doors 1/3-2/3 doors 2/3-1/3 doors door with label frame detachable variant

POLYESTER CABINETS - FREESTANDING

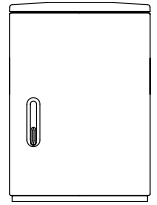
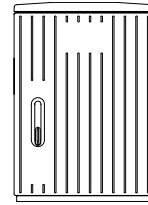
SINGLE CABINETS | DEGREE OF PROTECTION IP 44, IP 54

590x850

WxH

DIN 0 and ÖNORM F4

Empty cabinet for completion according to IEC 61439
Hinged door with lever lock for half cylinder locks,
without equipment (empty).



X 7035 ribbed

F 7032 flat

Polyester cabinets freestanding

Depth	Series ²	RAL-color		Front		Variants					External dimensions		P _{max} ΔT=20K	Type	Order no.	
		7035	7032	flat	ribs							WxHxD			IP 44	IP 54
250	F		●	●								590x836x250	78 W	F4 850/250	1453	1453.54
320	F		●	●							○	590x836x322	90 W	F4 850/320	0284.1	0284.54
320	X	●			●						● ●	590x869x320	92 W	X0 850/320	1265	1276
412 ¹	F		●	●								590x850x411	102 W	F4 850/412	○	○
470	F		●	●								590x850x470	117 W	F4 850/470	1189	1189.54
635	F		●	●								590x850x635	145 W	F4 850/635	0164	0164.54

¹ Depth 412 as a special depth e.g. for traffic technology or telecom application

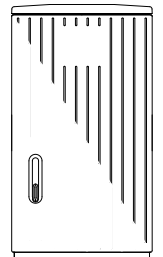
² Difference between series F / series X see general description

590x1080

WxH

DIN 0 and ÖNORM F4

Empty cabinet for completion according to IEC 61439
Hinged door with lever lock for half cylinder locks,
without equipment (empty).



F 7032 flat

F 7035 ribbed

Depth	Series ²	RAL-color		Front		Variants					External dimensions		P _{max} ΔT=20K	Type	Order no.	
		7035	7032	flat	ribs							WxHxD			IP 44	IP 54
250	F		●	●								590x1065x250	93 W	F4 1080/250	1454	1454.54
250	F	●			●							590x1065x250	93 W	F4 1080/250	3209	3209.54
320	F		●	●							○	590x1065x322	107 W	F4 1080/320	0318.1	0318.54
320	F	●			●						●	590x1065x322	107 W	F4 1080/320	2767	2767.54
412 ¹	F		●	●								590x1080x411	121 W	F4 1080/412	○	○
412 ¹	F	●			●							590x1080x411	121 W	F4 1080/412	3866	3866.54
470	F		●	●								590x1080x470	139 W	F4 1080/470	1188	1188.54
470	F	●			●							590x1080x470	139 W	F4 1080/470	3210	3210.54
635	F		●	●								590x1080x635	172 W	F4 1080/635	0180	0180.54
635	F	●			●							590x1080x635	172 W	F4 1080/635	3211	3211.54

¹ Depth 412 as a special depth e.g. for traffic technology or telecom application

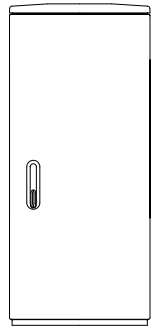
variants: 1/2-1/2 doors 1/3-2/3 doors 2/3-1/3 doors door with label frame detachable variant

590x1350

WxH

DIN 0 and ÖNORM F4

Empty cabinet for completion according to IEC 61439
Hinged door with lever lock for half cylinder locks,
without equipment (empty).



■ F 7032 flat

■ F 7035 flat

Polyester cabinets
freestanding

Depth	Series	RAL-color		Front flat ribs	Variants					External dimensions		P _{max} ΔT=20K	Type	Order no.	
		7035	7032		□	□	□	□	□	WxHxD	IP 44			IP 54	
250	F	●	●							590x1350x252	104 W	F4 1350/250	3395	3395.54	
250	F	●	●							590x1350x252	104 W	F4 1350/250	○	○	
320	F	●	●						○	590x1350x324	124 W	F4 1350/320	3397	3397.54	
320	F	●	●						●	590x1350x324	124 W	F4 1350/320	3397.1	3397.1.54	
412 ¹	F	●	●							590x1364x413	142 W	F4 1350/412	○	○	
412 ¹	F	●	●							590x1364x413	142 W	F4 1350/412	3775	3775.54	
470	F	●	●							590x1364x472	156 W	F4 1350/470	3838	3838.54	
470	F	●	●							590x1364x472	156 W	F4 1350/470	3838.1	3838.1.54	

¹ Depth 412 as a special depth e.g. for traffic technology or telecom application

Accessories

Ground-mounted bases	Bases for floor-mounting	Accessories for freestanding cabinets	General accessories
Page 70	Page 92	Page 62	Page 170

Dimensional Drawings

590x850	590x1080	590x1350
Page A05	Page A06	Page A07

variants: 1/2-1/2 doors 1/3-2/3 doors 2/3-1/3 doors door with label frame detachable variant

dimensions in mm / changes reserved Cabinet and enclosure systems - ELSTA Mosdorfer GmbH ● standard ● optional ○ on request

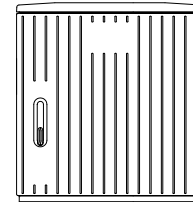
POLYESTER CABINETS - FREESTANDING

SINGLE CABINETS | DEGREE OF PROTECTION IP 44, IP 54

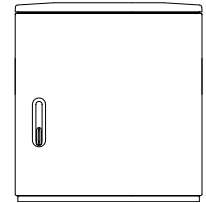
785x850

WxH

DIN 1 and ÖNORM F5
Empty cabinet for completion according to IEC 61439
Hinged door with lever lock for half cylinder locks,
without equipment (empty).



X 7035 ribbed



F 7032 flat

Polyester cabinets freestanding

Depth	Series ²	RAL-color		Front flat ribs	Variants					External dimensions		P _{max} ΔT=20K	Type	Order no.	
		7035	7032		1	2	3	4	5	WxHxD	IP 44			IP 54	
250	F		●	●	○	○	○			785x836x250	102 W	F5 850/250	1455	1455.54	
320	F		●	●	○	○	○		○	785x836x322	115 W	F5 850/320	0285.1	0285.54	
320	X	●		●				○	○	785x869x320	119 W	X1 850/320	1267	1278	
412 ¹	F		●	●	○	○	○			785x850x411	131 W	F5 850/412	○	○	
470	F		●	●	○	○	○			785x850x470	147 W	F5 850/470	1186	1186.54	
635	F		●	●	○	○	○			785x850x635	178 W	F5 850/635	0174	0174.54	

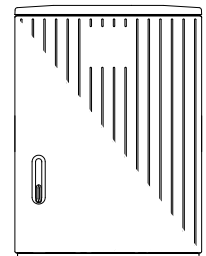
¹ Depth 412 as a special depth e.g. for traffic technology or telecom application

² Difference between series F / series X see general description

785x1080

WxH

DIN 1 and ÖNORM F5
Empty cabinet for completion according to IEC 61439
Hinged door with lever lock for half cylinder locks,
without equipment (empty).



F 7032 flat

X 7035 ribbed

Depth	Series ²	RAL-color		Front flat ribs	Variants					External dimensions		P _{max} ΔT=20K	Type	Order no.	
		7035	7032		1	2	3	4	5	WxHxD	IP 44			IP 54	
250	F		●	●	○	○	○			785x1065x250	122 W	F5 1080/250	1456	1456.54	
250	F	●		●	○					785x1065x250	122 W	F5 1080/250	3213	3213.54	
320	F		●	●	○	○	○		○	785x1065x322	138 W	F5 1080/320	0319.1	0319.54	
320	F	●		●	○			○		785x1065x322	138 W	F5 1080/320	2768	2768.54	
412 ¹	F		●	●	○	○	○			785x1080x411	156 W	F5 1080/412	○	○	
412 ¹	F	●		●	○					785x1080x411	156 W	F5 1080/412	3867	3867.54	
470	F		●	●	○	○	○			785x1080x470	174 W	F5 1080/470	1187	1187.54	
470	F	●		●	○					785x1080x470	174 W	F5 1080/470	3214	3214.54	
635	F		●	●	○	○	○			785x1080x635	210 W	F5 1080/635	0182.1	0182.54	
635	F	●		●	○					785x1080x635	210 W	F5 1080/635	3215	3215.54	

¹ Depth 412 as a special depth e.g. for traffic technology or telecom application

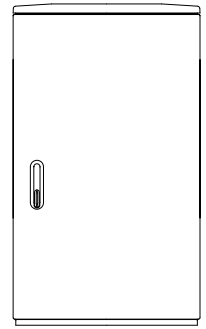
variants: 1/2-1/2 doors 1/3-2/3 doors 2/3-1/3 doors door with label frame detachable variant

785x1350

WxH

DIN 1 and ÖNORM F5

Empty cabinet for completion according to IEC 61439
Hinged door with lever lock for half cylinder locks,
without equipment (empty).



■ F 7032 flat

■ F 7035 flat

Polyester cabinets
freestanding

Depth	Series	RAL-color		Front flat ribs	Variants					External dimensions		P _{max} ΔT=20K	Type	Order no.	
		7035	7032		1	2	3	4	5	WxHxD	IP 44			IP 54	
250	F	●	●	○	○	○	○	○	785x1350x252	138 W	F5 1350/250	3396	3396.54		
250	F	●	○	○	○	○	○	○	785x1350x252	138 W	F5 1350/250	○	○		
320	F	●	●	○	○	○	○	○	785x1350x324	157 W	F5 1350/320	3398	3398.54		
320	F	●	○	○	○	○	○	●	785x1350x324	157 W	F5 1350/320	3398.1	3398.1.54		
412 ¹	F	●	●	○	○	○	○	○	785x1364x413	183 W	F5 1350/412	○	○		
412 ¹	F	●	○	○	○	○	○	○	785x1364x413	183 W	F5 1350/412	3774	3774.54		
470	F	●	●	○	○	○	○	○	785x1364x472	199 W	F5 1350/470	3839	3839.54		
470	F	●	○	○	○	○	○	○	785x1364x472	199 W	F5 1350/470	3839.1	3839.1.54		

¹ Depth 412 as a special depth e.g. for traffic technology or telecom application

Accessories

Ground-mounted bases	Bases for floor-mounting	Accessories for freestanding cabinets	General accessories
Page 72	Page 94	Page 62	Page 170

Dimensional Drawings

785x850	785x1080	785x1350
Page A08	Page A09	Page A10

variants: 1/2-1/2 doors 1/3-2/3 doors 2/3-1/3 doors door with label frame detachable variant

dimensions in mm / changes reserved Cabinet and enclosure systems - ELSTA Mosdorfer GmbH ● standard ● optional ○ on request

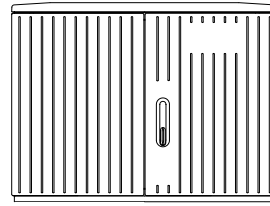
POLYESTER CABINETS - FREESTANDING

SINGLE CABINETS | DEGREE OF PROTECTION IP 44, IP 54

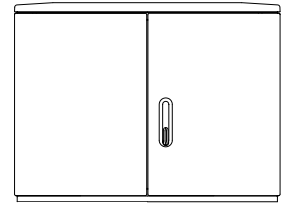
1115x850

WxH

DIN 2 and ÖNORM F6
Empty cabinet for completion according to IEC 61439
Hinged doors with lever lock for half cylinder, without equipment (empty).



X 7035 ribbed



F 7032 flat

Polyester cabinets freestanding

Depth	Series ²	RAL-color		Front flat ribs	Variants					External dimensions WxHxD	P _{max} ΔT=20K	Type	Order no.	
		7035	7032		1/2	1/3	2/3	label	detachable				IP 44	IP 54
320	F		●	●	○	○	○	○		1115x836x322	160 W	F6 850/320	0537.1	0537.54
320	X	●		●				○	○	1115x869x320	165 W	X2 850/320	1730	1730.54
412 ¹	F		●	●	○	○	○			1115x850x411	180 W	F6 850/412	○	○
470	F		●	●	○	○	○			1115x850x470	197 W	F6 850/470	1191	1191.54
635	F		●	●	○	○	○			1115x850x635	233 W	F6 850/635	0952.1	0952.54

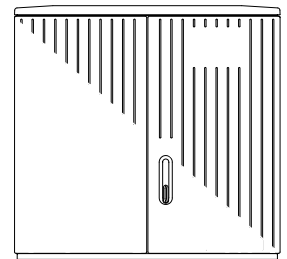
¹ Depth 412 as a special depth e.g. for traffic technology or telecom application

² Difference between series F / series X see general description

1115x1080

WxH

DIN 2 and ÖNORM F6
Empty cabinet for completion according to IEC 61439
Hinged doors with lever lock for half cylinder locks, without equipment (empty).



F 7032 flat

F 7035 ribbed

Depth	Series ²	RAL-color		Front flat ribs	Variants					External dimensions WxHxD	P _{max} ΔT=20K	Type	Order no.	
		7035	7032		1/2	1/3	2/3	label	detachable				IP 44	IP 54
320	F		●	●	○	○	○	○		1115x1065x322	190 W	F6 1080/320	0552.1	0552.54
320	F	●		●	○	○	○	○		1115x1065x322	190 W	F6 1080/320	2769	2769.54
412 ¹	F		●	●	○	○	○			1115x1080x411	213 W	F6 1080/412	○	○
412 ¹	F	●		●	○	○				1115x1080x411	213 W	F6 1080/412	3864	3864.54
470	F		●	●	○	○	○			1115x1080x470	233 W	F6 1080/470	1190	1190.54
470	F	●		●	○	○				1115x1080x470	233 W	F6 1080/470	3218	3218.54
635	F		●	●	○	○	○			1115x1080x635	273 W	F6 1080/635	0953.1	0953.54
635	F	●		●	○	○				1115x1080x635	273 W	F6 1080/635	3219	3219.54

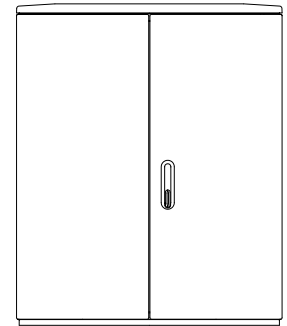
¹ Depth 412 as a special depth e.g. for traffic technology or telecom application

variants: 1/2-1/2 doors 1/3-2/3 doors 2/3-1/3 doors door with label frame detachable variant

1115x1350

WxH

DIN 2 and ÖNORM F6
 Empty cabinet for completion according to IEC 61439
 Hinged doors with lever lock for half cylinder locks,
 without equipment (empty).



■ F 7032 flat
 ■ F 7035 flat

Polyester cabinets
freestanding

Depth	Series	RAL-color		Front		Variants				External dimensions		P _{max} ΔT=20K	Type	Order no.	
		7035	7032	flat	ribs						WxHxD			IP 44	IP 54
320	F	●	●	●	○	○	○	○	○	○	1115x1350x324	220 W	F6 1350/320	3399	3399.54
320	F	●	●	●	○	○	○	○	○	●	1115x1350x324	220 W	F6 1350/320	3399.1	3399.1.54
412 ¹	F	●	●	●	○	○	○	○	○	○	1115x1364x413	249 W	F6 1350/412	○	○
412 ¹	F	●	●	●	○	○	○	○	○	○	1115x1364x413	249 W	F6 1350/412	3773	3773.54
470	F	●	●	●	○	○	○	○	○	○	1115x1364x472	265 W	F6 1350/470	3840	3840.54
470	F	●	●	●	○	○	○	○	○	○	1115x1364x472	265 W	F6 1350/470	3840.1	3840.1.54

¹ Depth 412 as a special depth e.g. for traffic technology or telecom application

Accessories

Ground-mounted bases	Bases for floor-mounting	Accessories for freestanding cabinets	General accessories
Page 74	Page 96	Page 62	Page 170

Dimensional Drawings

1115x850	1115x1080	1115x1350
Page A11	Page A12	Page A13

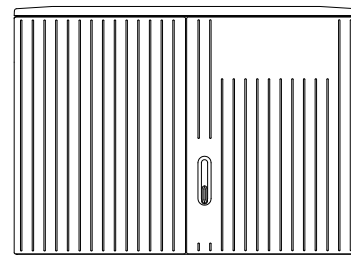
variants: 1/2-1/2 doors 1/3-2/3 doors 2/3-1/3 doors door with label frame detachable variant

1445x1080

WxH

DIN 3

Empty cabinet for completion according to IEC 61439
Hinged doors with lever lock for half cylinder locks,
without equipment (empty).



F 7035 ribbed

Depth	Series	RAL-color		Front		Variants					External dimensions		P _{max}	Type	Order no.	
		7035	7032	flat	ribs						WxHxD	ΔT=20K			IP 44	IP 54
320	F	●		●	○					●	1445x1065x322	244 W	X3 1080/320	2890	2890.54	
412 ¹	F	●		●	○						1445x1080x411	267 W	X3 1080/412	3865	3865.54	
470	F	●		●	○						1445x1080x470	290 W	X3 1080/470	3221	3221.54	
635	F	●		●	○						1445x1080x635	334 W	X3 1080/635	3101	3101.54	

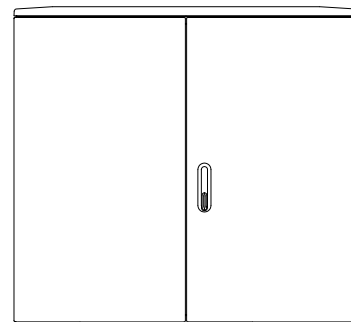
¹ Depth 412 as a special depth e.g. for traffic technology or telecom application

1445x1350

WxH

DIN 3

Empty cabinet for completion according to IEC 61439
Hinged doors with lever lock for half cylinder locks,
without equipment (empty).



F 7035 flat

Depth	Series	RAL-color		Front		Variants					External dimensions		P _{max}	Type	Order no.	
		7035	7032	flat	ribs						WxHxD	ΔT=20K			IP 44	IP 54
320	F	●		●	○					●	1445x1350x324	278 W	X3 1350/320	3837.1	3837.1.54	
412 ¹	F	●		●	○						1445x1364x413	308 W	X3 1350/412	3776	3776.54	
470	F	●		●	○						1445x1364x472	324 W	X3 1350/470	3841	3841.54	

¹ Depth 412 as a special depth e.g. for traffic technology or telecom application

Accessories

Ground-mounted bases	Bases for floor-mounting	Accessories for freestanding cabinets	General accessories
Page 76	Page 97	Page 62	Page 170

Dimensional Drawings

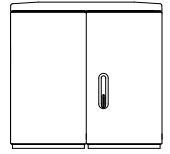
1445x1080	1445x1350
Page A14	Page A15

variants: 1/2-1/2 doors 1/3-2/3 doors 2/3-1/3 doors door with label frame detachable variant

440-440 880x850

WxH

ÖNORM F3/1-F3/1
Empty cabinet for completion according to IEC 61439
Hinged doors with lever lock for half cylinder locks,
without equipment (empty).



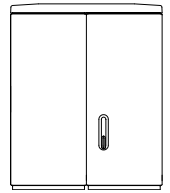
F 7032 flat

Depth	Series	RAL-color		Front flat ribs	External dimensions		P _{max} ΔT=20K	Type	Order no. IP 44
		7035	7032		WxHxD				
320	F		•	•	880x850x322	127 W	DB F3/1-F3/1 850/320	0787	

440-440 880x1080

WxH

ÖNORM F3/1-F3/1
Empty cabinet for completion according to IEC 61439
Hinged doors with lever lock for half cylinder locks,
without equipment (empty).



F 7032 flat

Depth	Series	RAL-color		Front flat ribs	External dimensions		P _{max} ΔT=20K	Type	Order no. IP 44
		7035	7032		WxHxD				
320	F		•	•	880x1080x322	151 W	DB F3/1-F3/1 1080/320	0788	

Accessories

Ground-mounted bases	Bases for floor-mounting	Accessories for freestanding cabinets	General accessories
Page 78	Page 98	Page 62	Page 170

Dimensional Drawings

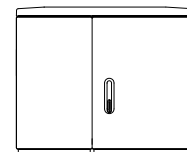
440-440 880x850	440-440 880x1080
Page A16	Page A16

Polyester cabinets freestanding

440-590 1030x850

WxH

ÖNORM F3/1-F4
Empty cabinet for completion according to IEC 61439
Hinged doors with lever lock for half cylinder locks,
without equipment (empty).



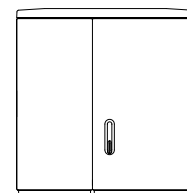
F 7032 flat

Depth	Series	RAL-color		Front flat ribs	External dimensions WxHxD	P _{max} ΔT=20K	Type	Order no. IP 44
		7035	7032					
320	F		●	●	1030x850x322	147 W	DB F3/1-F4 850/320	0767

440-590 1030x1080

WxH

ÖNORM F3/1-F4
Empty cabinet for completion according to IEC 61439
Hinged doors with lever lock for half cylinder locks,
without equipment (empty).



F 7032 flat

Depth	Series	RAL-color		Front flat ribs	External dimensions WxHxD	P _{max} ΔT=20K	Type	Order no. IP 44
		7035	7032					
320	F		●	●	1030x1080x322	175 W	DB F3/1-F4 1080/320	0594

Accessories

Ground-mounted bases	Bases for floor-mounting	Accessories for freestanding cabinets	General accessories
Page 78	Page 98	Page 62	Page 170

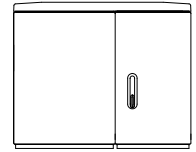
Dimensional Drawings

440-590 1030x850	440-590 1030x1080
Page A16	Page A16

590-440 1030x850

WxH

ÖNORM F4-F3/1
Empty cabinet for completion according to IEC 61439
Hinged doors with lever lock for half cylinder locks,
without equipment (empty).



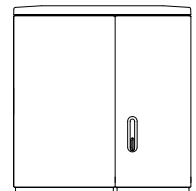
F 7032 flat

Depth	Series	RAL-color		Front		External dimensions		P _{max} ΔT=20K	Type	Order no. IP 44
		7035	7032	flat	ribs	WxHxD	W			
320	F		●	●		1030x850x322	147 W	DB F4-F3/1 850/320	2441	

590-440 1030x1080

WxH

ÖNORM F4-F3/1
Empty cabinet for completion according to IEC 61439
Hinged doors with lever lock for half cylinder locks,
without equipment (empty).



F 7032 flat

Depth	Series	RAL-color		Front		External dimensions		P _{max} ΔT=20K	Type	Order no. IP 44
		7035	7032	flat	ribs	WxHxD	W			
320	F		●	●		1030x1080x322	175 W	DB F4-F3/1 1080/320	2442	

Accessories

Ground-mounted bases	Bases for floor-mounting	Accessories for freestanding cabinets	General accessories
Page 78	Page 98	Page 62	Page 170

Dimensional Drawings

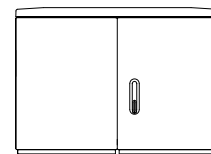
590-440 1030x850	590-440 1030x1080
Page A16	Page A16

590-590 1180x850

WxH

DIN 0-0 and ÖNORM F4-F4

Empty cabinet for completion according to IEC 61439
Hinged doors with lever lock for half cylinder locks,
without equipment (empty).



F 7032 flat

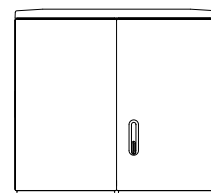
Depth	Series	RAL-color		Front flat ribs	External dimensions		P _{max} ΔT=20K	Type	Order no. IP 44
		7035	7032		WxHxD				
320	F		•	•	1180x850x322	167 W	DB F4-F4 850/320	0211.1	

590-590 1180x1080

WxH

DIN 0-0 and ÖNORM F4-F4

Empty cabinet for completion according to IEC 61439
Hinged doors with lever lock for half cylinder locks,
without equipment (empty).



F 7032 flat

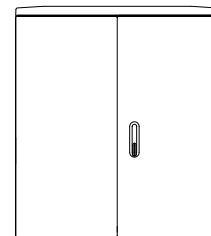
Depth	Series	RAL-color		Front flat ribs	External dimensions		P _{max} ΔT=20K	Type	Order no. IP 44
		7035	7032		WxHxD				
320	F		•	•	1180x1080x322	198 W	DB F4-F4 1080/320	0206.1	

590-590 1180x1350

WxH

DIN 0-0 and ÖNORM F4-F4

Empty cabinet for completion according to IEC 61439
Hinged doors with lever lock for half cylinder locks,
without equipment (empty).



F 7032 flat

Depth	Series	RAL-color		Front flat ribs	External dimensions		P _{max} ΔT=20K	Type	Order no. IP 44
		7035	7032		WxHxD				
320	F		•	•	1180x1364x324	233 W	DB F4-F4 1350/320	3598	

Accessories

Ground-mounted bases	Bases for floor-mounting	Accessories for freestanding cabinets	General accessories
Page 79	Page 99	Page 62	Page 170

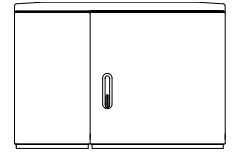
Dimensional Drawings

590-590 1180x850	590-590 1180x1080	590-590 1180x1350
Page A17	Page A17	Page A17

440-785 1225x850

WxH

ÖNORM F3/1-F5
Empty cabinet for completion according to IEC 61439
Hinged doors with lever lock for half cylinder locks,
without equipment (empty).



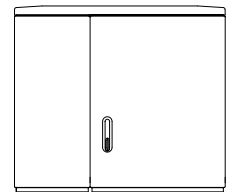
F 7032 flat

Depth	Series	RAL-color		Front flat ribs	External dimensions		P _{max} ΔT=20K	Type	Order no. IP 44
		7035	7032		WxHxD	W			
320	F	•	•		1225x850x322	172 W	DB F3/1-F5 850/320	0768	

440-785 1225x1080

WxH

ÖNORM F3/1-F5
Empty cabinet for completion according to IEC 61439
Hinged doors with lever lock for half cylinder locks,
without equipment (empty).



F 7032 flat

Depth	Series	RAL-color		Front flat ribs	External dimensions		P _{max} ΔT=20K	Type	Order no. IP 44
		7035	7032		WxHxD	W			
320	F	•	•		1225x1080x322	205 W	DB F3/1-F5 1080/320	0769	

Accessories

Ground-mounted bases	Bases for floor-mounting	Accessories for freestanding cabinets	General accessories
Page 80	Page 99	Page 62	Page 170

Dimensional Drawings

440-785 1225x850	440-785 1225x1080
Page A17	Page A18

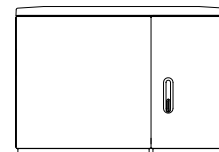
Polyester cabinets freestanding

785-440 1225x850

WxH

ÖNORM F5-F3/1

Empty cabinet for completion according to IEC 61439
Hinged doors with lever lock for half cylinder locks,
without equipment (empty).



F 7032 flat

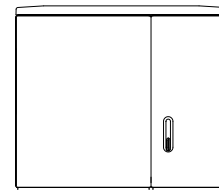
Depth	Series	RAL-color		Front		External dimensions		P _{max} ΔT=20K	Type	Order no. IP 44
		7035	7032	flat	ribs	WxHxD				
320	F		●	●		1225x850x322	172 W		DB F5-F3/1 850/320	2488

785-440 1225x1080

WxH

ÖNORM F5-F3/1

Empty cabinet for completion according to IEC 61439
Hinged doors with lever lock for half cylinder locks,
without equipment (empty).



F 7032 flat

Depth	Series	RAL-color		Front		External dimensions		P _{max} ΔT=20K	Type	Order no. IP 44
		7035	7032	flat	ribs	WxHxD				
320	F		●	●		1225x1080x322	205 W		DB F5-F3/1 1080/320	2491

Accessories

Ground-mounted bases	Bases for floor-mounting	Accessories for freestanding cabinets	General accessories
Page 80	Page 99	Page 62	Page 170

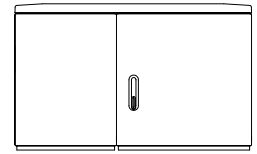
Dimensional Drawings

785-440 1225x850	785-440 1225x1080
Page A18	Page A18

590-785 1375x850

WxH

DIN 0-1 and ÖNORM F4-F5
Empty cabinet for completion according to IEC 61439
Hinged doors with lever lock for half cylinder locks,
without equipment (empty).



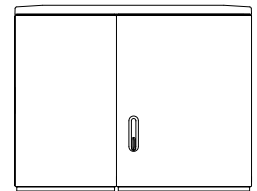
F 7032 flat

Depth	Series	RAL-color		Front flat ribs	External dimensions		P _{max} ΔT=20K	Type	Order no. IP 44
		7035	7032		WxHxD				
320	F		●	●	1375x850x322	192 W	DB F4-F5 850/320	0214.1	

590-785 1375x1080

WxH

DIN 0-1 and ÖNORM F4-F5
Empty cabinet for completion according to IEC 61439
Hinged doors with lever lock for half cylinder locks,
without equipment (empty).



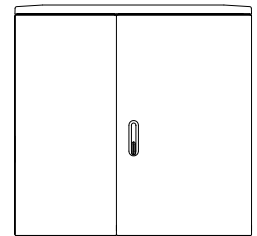
F 7032 flat

Depth	Series	RAL-color		Front flat ribs	External dimensions		P _{max} ΔT=20K	Type	Order no. IP 44
		7035	7032		WxHxD				
320	F		●	●	1375x1080x322	228 W	DB F4-F5 1080/320	0215.1	
470	F		●	●	1375x1080x470	264 W	DB F4-F5 1080/470	3862	

590-785 1375x1350

WxH

DIN 0-1 and ÖNORM F4-F5
Empty cabinet for completion according to IEC 61439
Hinged doors with lever lock for half cylinder locks,
without equipment (empty).



F 7032 flat

Depth	Series	RAL-color		Front flat ribs	External dimensions		P _{max} ΔT=20K	Type	Order no. IP 44
		7035	7032		WxHxD				
320	F		●	●	1375x1364x324	268 W	DB F4-F5 1350/320	3599	
470	F		●	●	1375x1364x472	313 W	DB F4-F5 1350/470	3906	

Accessories

Ground-mounted bases	Bases for floor-mounting	Accessories for freestanding cabinets	General accessories
Page 81	Page 100	Page 62	Page 170

Dimensional Drawings

590-785 1375x850	590-785 1375x1080	590-785 1375x1350
Page A18	Page A19	Page A19

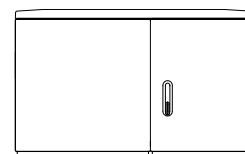
Polyester cabinets freestanding

785-590 1375x850

WxH

DIN 1-0 and ÖNORM F5-F4

Empty cabinet for completion according to IEC 61439
Hinged doors with lever lock for half cylinder locks,
without equipment (empty).



F 7032 flat

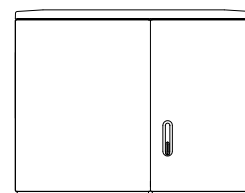
Depth	Series	RAL-color		Front		External dimensions		P _{max} ΔT=20K	Type	Order no. IP 44
		7035	7032	flat	ribs	WxHxD				
320	F		●	●		1375x850x322	192 W	DB F5-F4 850/320	2490	

785-590 1375x1080

WxH

DIN 1-0 and ÖNORM F5-F4

Empty cabinet for completion according to IEC 61439
Hinged doors with lever lock for half cylinder locks,
without equipment (empty).



F 7032 flat

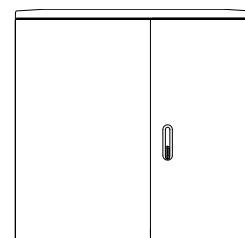
Depth	Series	RAL-color		Front		External dimensions		P _{max} ΔT=20K	Type	Order no. IP 44
		7035	7032	flat	ribs	WxHxD				
320	F		●	●		1375x1080x322	228 W	DB F5-F4 1080/320	2492	
470	F		●	●		1375x1080x470	264 W	DB F5-F4 1080/470	3863	

785-590 1375x1350

WxH

DIN 1-0 and ÖNORM F5-F4

Empty cabinet for completion according to IEC 61439
Hinged doors with lever lock for half cylinder locks,
without equipment (empty).



F 7032 flat

Depth	Series	RAL-color		Front		External dimensions		P _{max} ΔT=20K	Type	Order no. IP 44
		7035	7032	flat	ribs	WxHxD				
320	F		●	●		1375x1364x324	268 W	DB F5-F4 1350/320	3600	
470	F		●	●		1375x1364x472	313 W	DB F5-F4 1350/470	3907	

Accessories

Ground-mounted bases	Bases for floor-mounting	Accessories for freestanding cabinets	General accessories
Page 82	Page 100	Page 62	Page 170

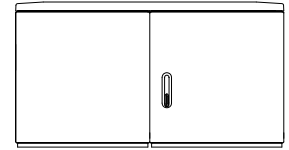
Dimensional Drawings

785-590 1375x850	785-590 1375x1080	785-590 1375x1350
Page A20	Page A20	Page A21

785-785 1570x850

WxH

DIN 1-1 and ÖNORM F5-F5
Empty cabinet for completion according to IEC 61439
Hinged doors with lever lock for half cylinder locks,
without equipment (empty).



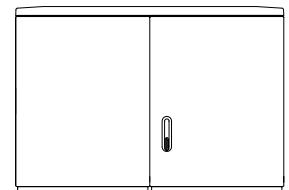
F 7032 flat

Depth	Series	RAL-color		Front	External dimensions	P _{max}	Type	Order no.
		7035	7032					
320	F		●	●	1570x850x322	217 W	DB F5-F5 850/320	0213.1
470	F		●	●	1570x850x470	257 W	DB F5-F5 850/470	2443

785-785 1570x1080

WxH

DIN 1-1 and ÖNORM F5-F5
Empty cabinet for completion according to IEC 61439
Hinged doors with lever lock for half cylinder locks,
without equipment (empty).



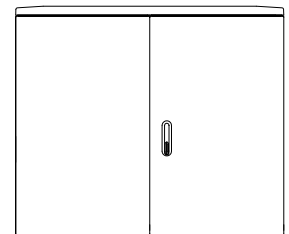
F 7032 flat

Depth	Series	RAL-color		Front	External dimensions	P _{max}	Type	Order no.
		7035	7032					
320	F		●	●	1570x1080x322	258 W	DB F5-F5 1080/320	0209.1
470	F		●	●	1570x1080x470	302 W	DB F5-F5 1080/470	2388

785-785 1570x1350

WxH

DIN 1-1 and ÖNORM F5-F5
Empty cabinet for completion according to IEC 61439
Hinged doors with lever lock for half cylinder locks,
without equipment (empty).



F 7032 flat

Depth	Series	RAL-color		Front	External dimensions	P _{max}	Type	Order no.
		7035	7032					
320	F		●	●	1570x1364x324	300 W	DB F5-F5 1350/320	3601
470	F		●	●	1570x1364x472	376 W	DB F5-F5 1350/470	3908

Accessories

Ground-mounted bases	Bases for floor-mounting	Accessories for freestanding cabinets	General accessories
Page 83	Page 100	Page 62	Page 170

Dimensional Drawings

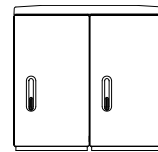
785-785 1570x850	785-785 1570x1080	785-785 1570x1350
Page A21	Page A22	Page A22

440-440 880x850

WxH

ÖNORM F3/1-F3/1

Empty cabinet for completion according to IEC 61439
Hinged doors with lever lock for half cylinder locks,
without equipment (empty).



F 7032 flat

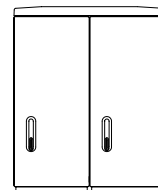
Depth	Series	RAL-color		Front	Variants	External dimensions	P _{max}	Type	Order no.	
		7035	7032	flat ribs					Door partitions	WxHxD
320	F		●	●	○	884x850x322	127 W	Kombi F3/1-F3/1 850/320	0216	0216.54

440-440 880x1080

WxH

ÖNORM F3/1-F3/1

Empty cabinet for completion according to IEC 61439
Hinged doors with lever lock for half cylinder locks,
without equipment (empty).



F 7032 flat

Depth	Series	RAL-color		Front	Variants	External dimensions	P _{max}	Type	Order no.	
		7035	7032	flat ribs					Door partitions	WxHxD
320	F		●	●	○	884x1080x322	151 W	Kombi F3/1-F3/1 1080/320	0217	0217.54

Accessories

Ground-mounted bases	Bases for floor-mounting	Accessories for freestanding cabinets	General accessories
Page 78	Page 98	Page 62	Page 170

Dimensional Drawings

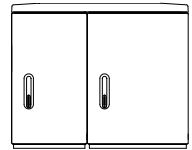
440-440 880x850	440-440 880x1080
Page A23	Page A23

possible variants see single cabinets

440-590 1030x850

WxH

ÖNORM F3/1-F4
Empty cabinet for completion according to IEC 61439
Hinged doors with lever lock for half cylinder locks,
without equipment (empty).



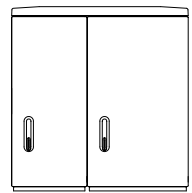
F 7032 flat

Depth	Series	RAL-color		Front		Variants	External dimensions	P _{max}	Type	Order no.	
		7035	7032	flat	ribs					Door partitions	WxHxD
320	F		●	●		○	1034x850x322	147 W	Kombi F3/1-F4 850/320	0221	0221.54

440-590 1030x1080

WxH

ÖNORM F3/1-F4
Empty cabinet for completion according to IEC 61439
Hinged doors with lever lock for half cylinder locks,
without equipment (empty).



F 7032 flat

Depth	Series	RAL-color		Front		Variants	External dimensions	P _{max}	Type	Order no.	
		7035	7032	flat	ribs					Door partitions	WxHxD
320	F		●	●		○	1034x1080x322	151 W	Kombi F3/1-F4 1080/320	0223	0223.54

Accessories

Ground-mounted bases	Bases for floor-mounting	Accessories for freestanding cabinets	General accessories
Page 78	Page 98	Page 62	Page 170

Dimensional Drawings

440-590 1030x850	440-590 1030x1080
Page A23	Page A23

possible variants see single cabinets

POLYESTER CABINETS - FREESTANDING

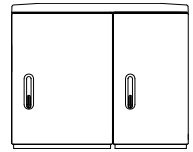
CABINET COMBINATIONS KOMBI | DEGREE OF PROTECTION IP 44, IP 54

590-440
1030x850

WxH

ÖNORM F4-F3/1

Empty cabinet for completion according to IEC 61439
Hinged doors with lever lock for half cylinder locks,
without equipment (empty).



F 7032 flat

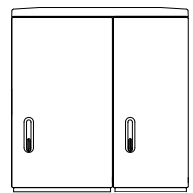
Depth	Series	RAL-color		Front		Variants	External dimensions	P _{max}	Type	Order no.	
		7035	7032	flat	ribs					Door partitions	WxHxD
320	F		●	●		○	1034x850x322	147 W	Kombi F4-F3/1 850/320	2444	2444.54

590-440
1030x1080

WxH

ÖNORM F4-F3/1

Empty cabinet for completion according to IEC 61439
Hinged doors with lever lock for half cylinder locks,
without equipment (empty).



F 7032 flat

Depth	Series	RAL-color		Front		Variants	External dimensions	P _{max}	Type	Order no.	
		7035	7032	flat	ribs					Door partitions	WxHxD
320	F		●	●		○	1034x1080x322	151 W	Kombi F4-F3/1 1080/320	2445	2445.54

Accessories

Ground-mounted bases	Bases for floor-mounting	Accessories for freestanding cabinets	General accessories
Page 78	Page 98	Page 62	Page 170

Dimensional Drawings

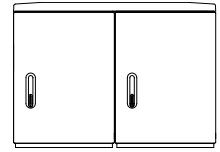
590-440 1030x850	590-440 1030x1080
Page A24	Page A24

possible variants see single cabinets

590-590 1180x850

WxH

DIN 0-0 and ÖNORM F4-F4
Empty cabinet for completion according to IEC 61439
Hinged doors with lever lock for half cylinder locks,
without equipment (empty).



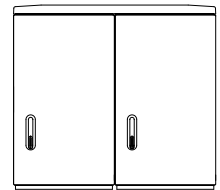
F 7032 flat

Depth	Series	RAL-color		Front flat ribs	Variants Door partitions	External dimensions WxHxD	P _{max} ΔT=20K	Type	Order no.	
		7035	7032						IP 44	IP 54
320	F		●	●	○	1184x850x322	167 W	Kombi F4-F4 850/320	0222	0222.54

590-590 1180x1080

WxH

DIN 0-0 and ÖNORM F4-F4
Empty cabinet for completion according to IEC 61439
Hinged doors with lever lock for half cylinder locks,
without equipment (empty).



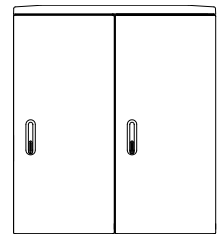
F 7032 flat

Depth	Series	RAL-color		Front flat ribs	Variants Door partitions	External dimensions WxHxD	P _{max} ΔT=20K	Type	Order no.	
		7035	7032						IP 44	IP 54
320	F		●	●	○	1184x1080x322	198 W	Kombi F4-F4 1080/320	0218	0218.54

590-590 1180x1350

WxH

DIN 0-0 and ÖNORM F4-F4
Empty cabinet for completion according to IEC 61439
Hinged doors with lever lock for half cylinder locks,
without equipment (empty).



F 7032 flat

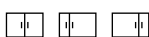
Depth	Series	RAL-color		Front flat ribs	Variants Door partitions	External dimensions WxHxD	P _{max} ΔT=20K	Type	Order no.	
		7035	7032						IP 44	IP 54
320	F		●	●	○	1184x1364x324	233 W	Kombi F4-F4 1350/320	3602	3602.54

Accessories

Ground-mounted bases	Bases for floor-mounting	Accessories for freestanding cabinets	General accessories
Page 79	Page 99	Page 62	Page 170

Dimensional Drawings

590-590 1180x850	590-590 1180x1080	590-590 1180x1350
Page A24	Page A24	Page A25

 possible variants see single cabinets

POLYESTER CABINETS - FREESTANDING

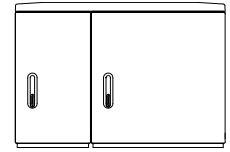
CABINET COMBINATIONS KOMBI | DEGREE OF PROTECTION IP 44, IP 54

440-785
1225x850

WxH

ÖNORM F3/1-F5

Empty cabinet for completion according to IEC 61439
Hinged doors with lever lock for half cylinder locks,
without equipment (empty).



F 7032 flat

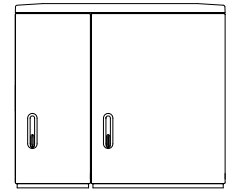
Depth	Series	RAL-color		Front flat ribs	Variants Door partitions	External dimensions WxHxD	P _{max} ΔT=20K	Type	Order no.	
		7035	7032						IP 44	IP 54
320	F		●	●	○	1229x850x322	172 W	Kombi F3/1-F5 850/320	0224	0224.54

440-785
1225x1080

WxH

ÖNORM F3/1-F5

Empty cabinet for completion according to IEC 61439
Hinged doors with lever lock for half cylinder locks,
without equipment (empty).



F 7032 flat

Depth	Series	RAL-color		Front flat ribs	Variants Door partitions	External dimensions WxHxD	P _{max} ΔT=20K	Type	Order no.	
		7035	7032						IP 44	IP 54
320	F		●	●	○	1229x1080x322	205 W	Kombi F3/1-F5 1080/320	0225	0225.54

Accessories

Ground-mounted bases	Bases for floor-mounting	Accessories for freestanding cabinets	General accessories
Page 80	Page 99	Page 62	Page 170

Dimensional Drawings

440-785 1225x850	440-785 1225x1080
Page A25	Page A25

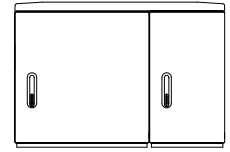
possible variants see single cabinets

785-440 1225x850

WxH

ÖNORM F5-F3/1

Empty cabinet for completion according to IEC 61439
Hinged doors with lever lock for half cylinder locks,
without equipment (empty).



F 7032 flat

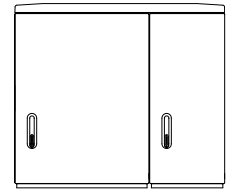
Depth	Series	RAL-color		Front flat ribs	Variants Door partitions	External dimensions WxHxD	P _{max} ΔT=20K	Type	Order no.	
		7035	7032						IP 44	IP 54
320	F		●	●	○	1229x850x322	172 W	Kombi F5-F3/1 850/320	2493	2493.54

785-440 1225x1080

WxH

ÖNORM F5-F3/1

Empty cabinet for completion according to IEC 61439
Hinged doors with lever lock for half cylinder locks,
without equipment (empty).



F 7032 flat

Depth	Series	RAL-color		Front flat ribs	Variants Door partitions	External dimensions WxHxD	P _{max} ΔT=20K	Type	Order no.	
		7035	7032						IP 44	IP 54
320	F		●	●	○	1229x1080x322	205 W	Kombi F5-F3/1 1080/320	2495	2495.54

Accessories

Ground-mounted bases	Bases for floor-mounting	Accessories for freestanding cabinets	General accessories
Page 80	Page 99	Page 62	Page 170

Dimensional Drawings

785-440 1225x850	785-440 1225x1080
Page A26	Page A26

Polyester cabinets freestanding

possible variants see single cabinets

POLYESTER CABINETS - FREESTANDING

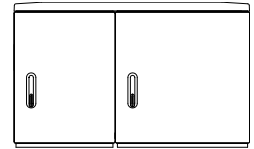
CABINET COMBINATIONS KOMBI | DEGREE OF PROTECTION IP 44, IP 54

590-785 1375x850

WxH

DIN 0-1 and ÖNORM F4-F5

Empty cabinet for completion according to IEC 61439
Hinged doors with lever lock for half cylinder locks,
without equipment (empty).



F 7032 flat

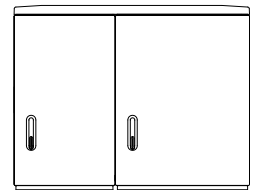
Depth	Series	RAL-color		Front		Variants	External dimensions	P _{max}	Type	Order no.	
		7035	7032	flat	ribs					Door partitions	WxHxD
320	F		●	●		○	1379x850x322	192 W	Kombi F4-F5 850/320	0226	0226.54
470	F		●	●		○	1379x850x470	231 W	Kombi F4-F5 850/470	3880	3880.54

590-785 1375x1080

WxH

DIN 0-1 and ÖNORM F4-F5

Empty cabinet for completion according to IEC 61439
Hinged doors with lever lock for half cylinder locks,
without equipment (empty).



F 7032 flat

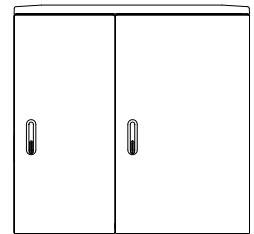
Depth	Series	RAL-color		Front		Variants	External dimensions	P _{max}	Type	Order no.	
		7035	7032	flat	ribs					Door partitions	WxHxD
320	F		●	●		○	1379x1080x322	228 W	Kombi F4-F5 1080/320	0229	0229.54
470	F		●	●		○	1379x1080x470	272 W	Kombi F4-F5 1080/470	3879	3879.54

590-785 1375x1350

WxH

DIN 0-1 and ÖNORM F4-F5

Empty cabinet for completion according to IEC 61439
Hinged doors with lever lock for half cylinder locks,
without equipment (empty).



F 7032 flat

Depth	Series	RAL-color		Front		Variants	External dimensions	P _{max}	Type	Order no.	
		7035	7032	flat	ribs					Door partitions	WxHxD
320	F		●	●		○	1379x1364x324	268 W	Kombi F4-F5 1350/320	3603	3603.54
470	F		●	●		○	1379x1364x472	333 W	Kombi F4-F5 1350/470	3909	3909.54

Accessories

Ground-mounted bases	Bases for floor-mounting	Accessories for freestanding cabinets	General accessories
Page 81	Page 100	Page 62	Page 170

Dimensional Drawings

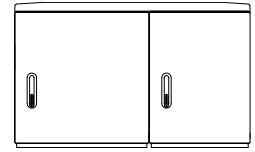
590-785 1375x850	590-785 1375x1080	590-785 1375x1350
Page A26	Page A27	Page A27

possible variants see single cabinets

785-590 1375x850

WxH

DIN 1-0 and ÖNORM F5-F4
Empty cabinet for completion according to IEC 61439
Hinged doors with lever lock for half cylinder locks,
without equipment (empty).



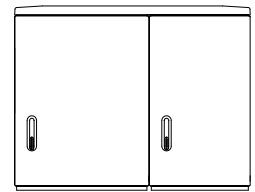
F 7032 flat

Depth	Series	RAL-color		Front flat ribs	Variants Door partitions	External dimensions WxHxD	P _{max} ΔT=20K	Type	Order no.	
		7035	7032						IP 44	IP 54
320	F		●	●	○	1379x850x322	192 W	Kombi F5-F4 850/320	2494	2494.54
470	F		●	●	○	1379x850x470	231 W	Kombi F5-F4 850/470	3882	3882.54

785-590 1375x1080

WxH

DIN 1-0 and ÖNORM F5-F4
Empty cabinet for completion according to IEC 61439
Hinged doors with lever lock for half cylinder locks,
without equipment (empty).



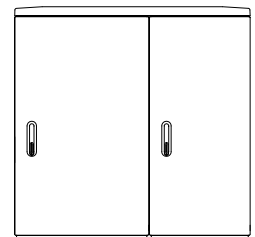
F 7032 flat

Depth	Series	RAL-color		Front flat ribs	Variants Door partitions	External dimensions WxHxD	P _{max} ΔT=20K	Type	Order no.	
		7035	7032						IP 44	IP 54
320	F		●	●	○	1379x1080x322	228 W	Kombi F5-F4 1080/320	2496	2496.54
470	F		●	●	○	1379x1080x470	272 W	Kombi F5-F4 1080/470	3881	3881.54

785-590 1375x1350

WxH

DIN 1-0 and ÖNORM F5-F4
Empty cabinet for completion according to IEC 61439
Hinged doors with lever lock for half cylinder locks,
without equipment (empty).



F 7032 flat

Depth	Series	RAL-color		Front flat ribs	Variants Door partitions	External dimensions WxHxD	P _{max} ΔT=20K	Type	Order no.	
		7035	7032						IP 44	IP 54
320	F		●	●	○	1379x1364x324	268 W	Kombi F5-F4 1350/320	3604	3604.54
470	F		●	●	○	1379x1364x472	333 W	Kombi F5-F4 1350/470	3910	3910.54

Accessories

Ground-mounted bases	Bases for floor-mounting	Accessories for freestanding cabinets	General accessories
Page 82	Page 100	Page 62	Page 170

Dimensional Drawings

785-590 1375x850	785-590 1375x1080	785-590 1375x1350
Page A28	Page A28	Page A29

possible variants see single cabinets

POLYESTER CABINETS - FREESTANDING

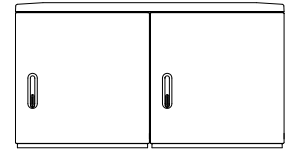
CABINET COMBINATIONS KOMBI | DEGREE OF PROTECTION IP 44, IP 54

785-785 1570x850

WxH

DIN 1-1 and ÖNORM F5-F5

Empty cabinet for completion according to IEC 61439
Hinged doors with lever lock for half cylinder locks,
without equipment (empty).



F 7032 flat

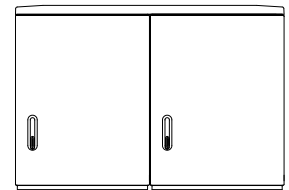
Depth	Series	RAL-color		Front flat ribs	Variants Door partitions	External dimensions WxHxD	P _{max} ΔT=20K	Type	Order no.	
		7035	7032						IP 44	IP 54
320	F		●	●	○	1574x850x322	217 W	Kombi F5-F5 850/320	0219	0219.54
470	F		●	●	○	1574x850x470	257 W	Kombi F5-F5 850/470	2497	2497.54

785-785 1570x1080

WxH

DIN 1-1 and ÖNORM F5-F5

Empty cabinet for completion according to IEC 61439
Hinged doors with lever lock for half cylinder locks,
without equipment (empty).



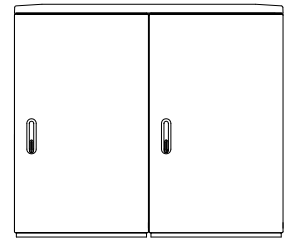
F 7032 flat

Depth	Series	RAL-color		Front flat ribs	Variants Door partitions	External dimensions WxHxD	P _{max} ΔT=20K	Type	Order no.	
		7035	7032						IP 44	IP 54
320	F		●	●	○	1574x1080x322	258 W	Kombi F5-F5 1080/320	0220	0220.54
470	F		●	●	○	1574x1080x470	302 W	Kombi F5-F5 1080/470	2498	2498.54

possible variants see single cabinets

785-785
1570x1350
WxH

DIN 1-1 and ÖNORM F5-F5
Empty cabinet for completion according to IEC 61439
Hinged doors with lever lock for half cylinder locks,
without equipment (empty).



F 7032 flat

Depth	Series	RAL-color		Front flat ribs	Variants Door partitions	External dimensions WxHxD	P _{max} ΔT=20K	Type	Order no.	
		7035	7032						IP 44	IP 54
320	F		●	●	○	1574x1364x324	300 W	Kombi F5-F5 1350/320	3605	3605.54
470	F		●	●	○	1574x1364x472	376 W	Kombi F5-F5 1350/470	3911	3911.54

Polyester cabinets freestanding

Accessories

Ground-mounted bases	Bases for floor-mounting	Accessories for freestanding cabinets	General accessories
Page 83	Page 101	Page 62	Page 170

Dimensional Drawings

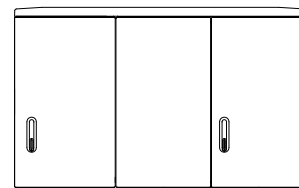
785-785 1570x850	785-785 1570x1080	785-785 1570x1350
Page A29	Page A30	Page A30

possible variants see single cabinets

590-1115 1705x1080

WxH

DIN 0-2 and ÖNORM F4-F6
Empty cabinet for completion according to IEC 61439
Hinged doors with lever lock for half cylinder locks,
without equipment (empty).



F 7032 flat

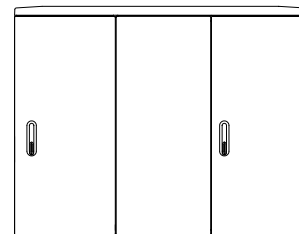
Polyester cabinets freestanding

Depth	Series	RAL-color		Front flat ribs	Variants Door partitions	External dimensions WxHxD	P _{max} ΔT=20K	Type	Order no.	
		7035	7032						IP 44	IP 54
320	F		●	●	○	1709x1080x322	291 W	Kombi F4-F6 1080/320	3884	3884.54
470	F		●	●	○	1709x1080x470	361 W	Kombi F4-F6 1080/470	3885	3885.54

590-1115 1705x1350

WxH

DIN 0-2 and ÖNORM F4-F6
Empty cabinet for completion according to IEC 61439
Hinged doors with lever lock for half cylinder locks,
without equipment (empty).



F 7032 flat

Depth	Series	RAL-color		Front flat ribs	Variants Door partitions	External dimensions WxHxD	P _{max} ΔT=20K	Type	Order no.	
		7035	7032						IP 44	IP 54
320	F		●	●	○	1709x1364x324	330 W	Kombi F4-F6 1350/320	3606	3606.54
470	F		●	●	○	1709x1364x472	401 W	Kombi F4-F6 1350/470	3912	3912.54

Accessories

Ground-mounted bases	Bases for floor-mounting	Accessories for freestanding cabinets	General accessories
Page 84	Page 102	Page 62	Page 170

Dimensional Drawings

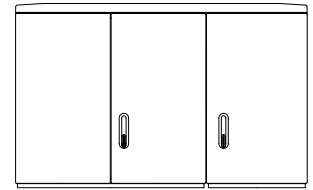
590-1115 1705x1080	590-1115 1705x1350
Page A31	Page A31

possible variants see single cabinets

1115-590 1705x1080

WxH

DIN 2-0 and ÖNORM F6-F4
Empty cabinet for completion according to IEC 61439
Hinged doors with lever lock for half cylinder locks,
without equipment (empty).



F 7032 flat

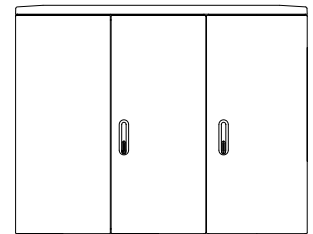
Depth	Series	RAL-color		Front flat ribs	Variants Door partitions	External dimensions WxHxD	P _{max} ΔT=20K	Type	Order no.	
		7035	7032						IP 44	IP 54
320	F		●	●	○	1709x1080x322	291 W	Kombi F6-F4 1080/320	3269	3269.54
470	F		●	●	○	1709x1080x470	361 W	Kombi F6-F4 1080/470	3883	3883.54

Polyester cabinets freestanding

1115-590 1705x1350

WxH

DIN 2-0 and ÖNORM F6-F4
Empty cabinet for completion according to IEC 61439
Hinged doors with lever lock for half cylinder locks,
without equipment (empty).



F 7032 flat

Depth	Series	RAL-color		Front flat ribs	Variants Door partitions	External dimensions WxHxD	P _{max} ΔT=20K	Type	Order no.	
		7035	7032						IP 44	IP 54
320	F		●	●	○	1709x1364x324	330 W	Kombi F6-F4 1350/320	3607	3607.54
470	F		●	●	○	1709x1364x472	401 W	Kombi F6-F4 1350/470	3913	3913.54

Accessories

Ground-mounted bases	Bases for floor-mounting	Accessories for freestanding cabinets	General accessories
Page 85	Page 102	Page 62	Page 170

Dimensional Drawings

1115-590 1705x1080	1115-590 1705x1350
Page A32	Page A32

possible variants see single cabinets

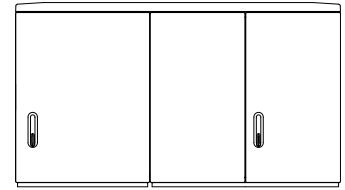
POLYESTER CABINETS - FREESTANDING

CABINET COMBINATIONS KOMBI | DEGREE OF PROTECTION IP 44, IP 54

785-1115
1900x1080

WxH

DIN 1-2 and ÖNORM F5-F6
Empty cabinet for completion according to IEC 61439
Hinged doors with lever lock for half cylinder locks,
without equipment (empty).



F 7032 flat

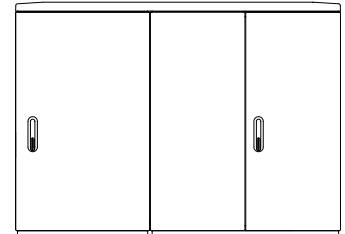
Polyester cabinets
freestanding

Depth	Series	RAL-color		Front flat ribs	Variants Door partitions	External dimensions WxHxD	P _{max} ΔT=20K	Type	Order no.	
		7035	7032						IP 44	IP 54
320	F		●	●	○	1904x1080x322	323 W	Kombi F5-F6 1080/320	3888	3888.54
470	F		●	●	○	1904x1080x470	398 W	Kombi F5-F6 1080/470	3889	3889.54

785-1115
1900x1350

WxH

DIN 1-2 and ÖNORM F5-F6
Empty cabinet for completion according to IEC 61439
Hinged doors with lever lock for half cylinder locks,
without equipment (empty).



F 7032 flat

Depth	Series	RAL-color		Front flat ribs	Variants Door partitions	External dimensions WxHxD	P _{max} ΔT=20K	Type	Order no.	
		7035	7032						IP 44	IP 54
320	F		●	●	○	1904x1364x324	370 W	Kombi F5-F6 1350/320	3608	3608.54
470	F		●	●	○	1904x1364x472	444 W	Kombi F5-F6 1350/472	3914	3914.54

Accessories

Ground-mounted bases	Bases for floor-mounting	Accessories for freestanding cabinets	General accessories
Page 86	Page 103	Page 62	Page 170

Dimensional Drawings

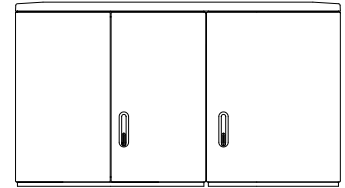
785-1115 1900x1080	785-1115 1900x1350
Page A33	Page A33

possible variants see single cabinets

1115-785 1900x1080

WxH

DIN 2-1 and ÖNORM F6-F5
Empty cabinet for completion according to IEC 61439
Hinged doors with lever lock for half cylinder locks,
without equipment (empty).



F 7032 flat

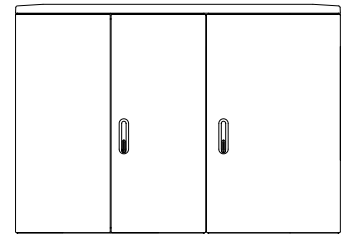
Depth	Series	RAL-color		Front flat ribs	Variants Door partitions	External dimensions WxHxD	P _{max} ΔT=20K	Type	Order no.	
		7035	7032						IP 44	IP 54
320	F		●	●	○	1904x1080x322	323 W	Kombi F6-F5 1080/320	3886	3886.54
470	F		●	●	○	1904x1080x470	398 W	Kombi F6-F5 1080/470	3887	3887.54

Polyester cabinets freestanding

1115-785 1900x1350

WxH

DIN 2-1 and ÖNORM F6-F5
Empty cabinet for completion according to IEC 61439
Hinged doors with lever lock for half cylinder locks,
without equipment (empty).



F 7032 flat

Depth	Series	RAL-color		Front flat ribs	Variants Door partitions	External dimensions WxHxD	P _{max} ΔT=20K	Type	Order no.	
		7035	7032						IP 44	IP 54
320	F		●	●	○	1904x1364x324	370 W	Kombi F6-F5 1350/320	3609	3609.54
470	F		●	●	○	1904x1364x472	444 W	Kombi F6-F5 1350/472	3915	3915.54

Accessories

Ground-mounted bases	Bases for floor-mounting	Accessories for freestanding cabinets	General accessories
Page 87	Page 103	Page 62	Page 170

Dimensional Drawings

1115-785 1900x1080	1115-785 1900x1350
Page A34	Page A34

possible variants see single cabinets

POLYESTER CABINETS - FREESTANDING

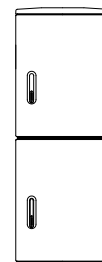
CABINET COMBINATIONS DH | DEGREE OF PROTECTION IP 44, IP 54

850-850 590x1620

WxH

DIN 0 and ÖNORM F4

Empty cabinet for completion according to IEC 61439
Hinged doors with lever lock for half cylinder locks,
without equipment (empty).



F 7032 flat

Depth	Series	RAL-color		Front flat ribs	Variants Door partitions	External dimensions WxHxD	P _{max} ΔT=20K	Type	Order no.	
		7035	7032						IP 44	IP 54
320	F		●	●	○	590x1621x322	146 W	DH F4 850-850/320	0160	0160.54
470	F		●	●	○	590x1635x470	186 W	DH F4 850-850/470	2718	2718.54
635	F		●	●	○	590x1635x635	230 W	DH F4 850-850/635	2722	2722.54

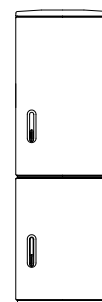
The power loss P_{max} can be seen as a guideline. In the lower cabinet max. 40% of the total power loss can be contributed.

850-1080 590x1850

WxH

DIN 0 and ÖNORM F4

Empty cabinet for completion according to IEC 61439
Hinged doors with lever lock for half cylinder locks,
without equipment (empty).



F 7032 flat

Depth	Series	RAL-color		Front flat ribs	Variants Door partitions	External dimensions WxHxD	P _{max} ΔT=20K	Type	Order no.	
		7035	7032						IP 44	IP 54
320	F		●	●	○	590x1850x322	161 W	DH F4 850-1080/320	0162	0162.54
470	F		●	●	○	590x1865x470	204 W	DH F4 850-1080/470	2719	2719.54
635	F		●	●	○	590x1865x635	251 W	DH F4 850-1080/635	2723	2723.54

The power loss P_{max} can be seen as a guideline. In the lower cabinet max. 40% of the total power loss can be contributed.

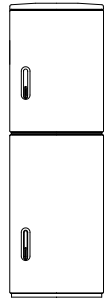
□ □ □ possible variants see single cabinets

1080-850 590x1850

WxH

DIN 0 and ÖNORM F4

Empty cabinet for completion according to IEC 61439
Hinged doors with lever lock for half cylinder locks,
without equipment (empty).



F 7032 flat

Depth	Series	RAL-color		Front flat ribs	Variants Door partitions	External dimensions WxHxD	P _{max} ΔT=20K	Type	Order no.	
		7035	7032						IP 44	IP 54
320	F		●	●	○	590x1850x322	161 W	DH F4 1080-850/320	2437	2437.54
470	F		●	●	○	590x1865x470	204 W	DH F4 1080-850/470	2720	2720.54
635	F		●	●	○	590x1865x635	251 W	DH F4 1080-850/635	2724	2724.54

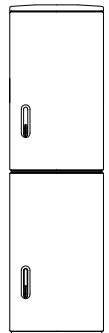
The power loss P_{max} can be seen as a guideline. In the lower cabinet max. 40% of the total power loss can be contributed.

1080-1080 590x2090

WxH

DIN 0 and ÖNORM F4

Empty cabinet for completion according to IEC 61439
Hinged doors with lever lock for half cylinder locks,
without equipment (empty).



F 7032 flat

Depth	Series	RAL-color		Front flat ribs	Variants Door partitions	External dimensions WxHxD	P _{max} ΔT=20K	Type	Order no.	
		7035	7032						IP 44	IP 54
320*	F		●	●	○	590x2080x322	168 W	DH F4 1080-1080/320	○	○
470	F		●	●	○	590x2094x470	220 W	DH F4 1080-1080/470	2721	2721.54
635	F		●	●	○	590x2094x635	271 W	DH F4 1080-1080/635	2725	2725.54

The power loss P_{max} can be seen as a guideline. In the lower cabinet max. 40% of the total power loss can be contributed.

*Cabinet combinations DH 1080-1080 in depth 320 are only permitted with additional fastening (above) to a wall.

Accessories

Ground-mounted bases	Bases for floor-mounting	Accessories for freestanding cabinets	General accessories
Page 70	Page 92	Page 62	Page 170

Dimensional Drawings

850-850 590x1620	850-1080 590x1850	1080-850 590x1850	1080-1080 590x2090
Page A35	Page A36	Page A37	Page A38

possible variants see single cabinets

POLYESTER CABINETS - FREESTANDING

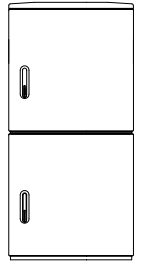
CABINET COMBINATIONS DH | DEGREE OF PROTECTION IP 44, IP 54

850-850 785x1620

WxH

DIN 1 and ÖNORM F5

Empty cabinet for completion according to IEC 61439
Hinged doors with lever lock for half cylinder locks,
without equipment (empty).



F 7032 flat

Polyester cabinets freestanding

Depth	Series	RAL-color		Front flat ribs	Variants Door partitions	External dimensions WxHxD	P _{max} ΔT=20K	Type	Order no.	
		7035	7032						IP 44	IP 54
320	F		●	●	○	785x1621x322	188 W	DH F5 850-850/320	0161	0161.54
470	F		●	●	○	785x1635x470	233 W	DH F5 850-850/470	2726	2726.54
635	F		●	●	○	785x1635x635	281 W	DH F5 850-850/635	2729	2729.54

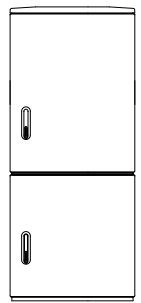
The power loss P_{max} can be seen as a guideline. In the lower cabinet max. 40% of the total power loss can be contributed.

850-1080 785x1850

WxH

DIN 1 and ÖNORM F5

Empty cabinet for completion according to IEC 61439
Hinged doors with lever lock for half cylinder locks,
without equipment (empty).



F 7032 flat

Depth	Series	RAL-color		Front flat ribs	Variants Door partitions	External dimensions WxHxD	P _{max} ΔT=20K	Type	Order no.	
		7035	7032						IP 44	IP 54
320	F		●	●	○	785x1850x322	206 W	DH F5 850-1080/320	0163	0163.54
470	F		●	●	○	785x1865x470	255 W	DH F5 850-1080/470	2727	2727.54
635	F		●	●	○	785x1865x635	306 W	DH F5 850-1080/635	2730	2730.54

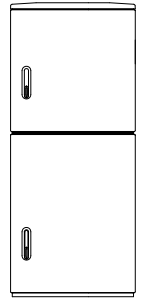
The power loss P_{max} can be seen as a guideline. In the lower cabinet max. 40% of the total power loss can be contributed.

possible variants see single cabinets

1080-850 785x1850

WxH

DIN 1 and ÖNORM F5
Empty cabinet for completion according to IEC 61439
Hinged doors with lever lock for half cylinder locks,
without equipment (empty).



F 7032 flat

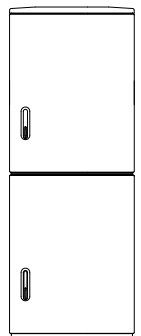
Depth	Series	RAL-color		Front flat ribs	Variants Door partitions	External dimensions WxHxD		P _{max} ΔT=20K	Type	Order no.	
		7035	7032			IP 44	IP 54				
320	F	●	●	○	785x1850x322	206 W	DH F5 1080-850/320	2439	2439.54		
470	F	●	●	○	785x1865x470	255 W	DH F5 1080-850/470	2609	2609.54		
635	F	●	●	○	785x1865x635	306 W	DH F5 1080-850/635	2731	2731.54		

The power loss P_{max} can be seen as a guideline. In the lower cabinet max. 40% of the total power loss can be contributed.

1080-1080 785x2090

WxH

DIN 1 and ÖNORM F5
Empty cabinet for completion according to IEC 61439
Hinged doors with lever lock for half cylinder locks,
without equipment (empty).



F 7032 flat

Depth	Series	RAL-color		Front flat ribs	Variants Door partitions	External dimensions WxHxD		P _{max} ΔT=20K	Type	Order no.	
		7035	7032			IP 44	IP 54				
320*	F	●	●	○	785x2080x322	222 W	DH F5 1080-1080/320	○	○		
470	F	●	●	○	785x2094x470	275 W	DH F5 1080-1080/470	2728	2728.54		
635	F	●	●	○	785x2094x635	330 W	DH F5 1080-1080/635	2732	2732.54		

The power loss P_{max} can be seen as a guideline. In the lower cabinet max. 40% of the total power loss can be contributed.

*Cabinet combinations DH 1080-1080 in depth 320 are only permitted with additional fastening (above) to a wall.

Accessories

Ground-mounted bases	Bases for floor-mounting	Accessories for freestanding cabinets	General accessories
Page 72	Page 94	Page 62	Page 170

Dimensional Drawings

850-850 785x1620	850-1080 785x1850	1080-850 785x1850	1080-1080 785x2090
Page A39	Page A40	Page A41	Page A42

possible variants see single cabinets

POLYESTER CABINETS - FREESTANDING

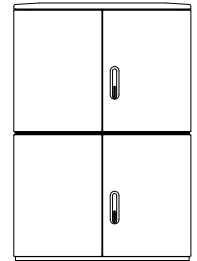
CABINET COMBINATIONS DH | DEGREE OF PROTECTION IP 44, IP 54

850-850 1115x1620

WxH

DIN 2 and ÖNORM F6

Empty cabinet for completion according to IEC 61439
Hinged doors with lever lock for half cylinder locks,
without equipment (empty)..



F 7032 flat

Depth	Series	RAL-color		Front flat ribs	Variants Door partitions	External dimensions WxHxD	P _{max} ΔT=20K	Type	Order no.	
		7035	7032						IP 44	IP 54
320	F		●	●	○	1115x1621x322	259 W	DH F6 850-850/320	0765	0765.54
470	F		●	●	○	1115x1635x470	310 W	DH F6 850-850/470	2733	2733.54
635	F		●	●	○	1115x1635x635	363 W	DH F6 850-850/635	2736	2736.54

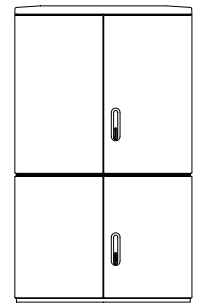
The power loss P_{max} can be seen as a guideline. In the lower cabinet max. 40% of the total power loss can be contributed.

850-1080 1115x1850

WxH

DIN 2 and ÖNORM F6

Empty cabinet for completion according to IEC 61439
Hinged doors with lever lock for half cylinder locks,
without equipment (empty).



F 7032 flat

Depth	Series	RAL-color		Front flat ribs	Variants Door partitions	External dimensions WxHxD	P _{max} ΔT=20K	Type	Order no.	
		7035	7032						IP 44	IP 54
320	F		●	●	○	1115x1850x322	283 W	DH F6 850-1080/320	1213	1213.54
470	F		●	●	○	1115x1865x470	339 W	DH F6 850-1080/470	2606	2606.54
635	F		●	●	○	1115x1865x635	394 W	DH F6 850-1080/635	2737	2737.54

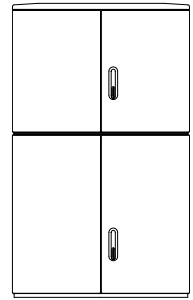
The power loss P_{max} can be seen as a guideline. In the lower cabinet max. 40% of the total power loss can be contributed.

possible variants see single cabinets

1080-850 1115x1850

WxH

DIN 2 and ÖNORM F6
Empty cabinet for completion according to IEC 61439
Hinged doors with lever lock for half cylinder locks,
without equipment (empty).



F 7032 flat

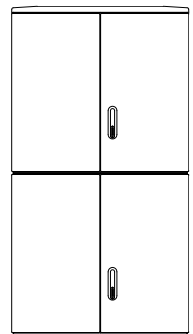
Depth	Series	RAL-color		Front flat ribs	Variants Door partitions	External dimensions WxHxD	P _{max} ΔT=20K	Type	Order no.	
		7035	7032						IP 44	IP 54
320	F	●	●	○	1115x1850x322	283 W	DH F6 1080-850/320	2440	2440.54	
470	F	●	●	○	1115x1865x470	339 W	DH F6 1080-850/470	2734	2734.54	
635	F	●	●	○	1115x1865x635	394 W	DH F6 1080-850/635	2738	2738.54	

The power loss P_{max} can be seen as a guideline. In the lower cabinet max. 40% of the total power loss can be contributed.

1080-1080 1115x2090

WxH

DIN 2 and ÖNORM F6
Empty cabinet for completion according to IEC 61439
Hinged doors with lever lock for half cylinder locks,
without equipment (empty).



F 7032 flat

Depth	Series	RAL-color		Front flat ribs	Variants Door partitions	External dimensions WxHxD	P _{max} ΔT=20K	Type	Order no.	
		7035	7032						IP 44	IP 54
320*	F	●	●	○	1115x2080x322	316 W	DH F6 1080-1080/320	○	○	
470	F	●	●	○	1115x2094x470	366 W	DH F6 1080-1080/470	2735	2735.54	
635	F	●	●	○	1115x2094x635	425 W	DH F6 1080-1080/635	2739	2739.54	

The power loss P_{max} can be seen as a guideline. In the lower cabinet max. 40% of the total power loss can be contributed.

*Cabinet combinations DH 1080-1080 in depth 320 are only permitted with additional fastening (above) to a wall.

Accessories

Ground-mounted bases	Bases for floor-mounting	Accessories for freestanding cabinets	General accessories
Page 74	Page 96	Page 62	Page 170
850-850 1115x1620	850-1080 1115x1850	1080-850 1115x1850	1080-1080 1115x2090
Page A43	Page A44	Page A45	Page A46

Dimensional Drawings

possible variants see single cabinets

Mounting plate HP

Hard-paper mounting plate (HP), melamine laminated on both sides, for assembly directly on the rear wall of the cabinet, including fastening material.

- tracking resistance (IEC 60112) $400 \leq CTI < 600$
- insulation class (EN 60085) E 120 °C

This product meets all requirements of the IEC 61439 series of standards with regard to mounting plates.

Polyester cabinets freestanding



41423

Suitable for cabinets WxH	Type/Description	External dimensions WxHxD	Order no.
440x650	MPL-HP E/A/F 3/1 650	360x550x6	0664
440x850	MPL-HP E/A/F 3/1 850	360x648x6	0642
440x1080	MPL-HP E/A/F 3/1 1080	360x900x6	0643
460x850	MPL-HP X00 850	380x780x6	0644
472x720	MPL-HP E/A/F3 720	380x610x6	0665
590x850	MPL-HP E/A/F4 X0 850	500x648x6	0635
590x1080	MPL-HP E/A/F4 1080	500x900x6	0637
590x1350	MPL-HP E/A/F4 1350	500x1195x6	3480
785x850	MPL-HP E/A/F5 X1 850	695x648x6	0636
785x1080	MPL-HP E/A/F5 1080	695x900x6	0638
785x1350	MPL-HP E/A/F5 1350	695x1195x6	3481
1115x850	MPL-HP E/A/F6 X2 850	1025x648x6	0639
1115x1080	MPL-HP E/A/F6 1080	1025x900x6	0640
1115x1080	MPL-HP E/A/F6 1080	1025x900x8	0640.1
1115x1350	MPL-HP E/A/F6 1350	1025x1195x6	3482
1115x1350	MPL-HP E/A/F6 1350	1025x1195x8	3482.1
1445x1080	MPL-HP X3 1080	1355x900x8	3713
1445x1350	MPL-HP X3 1350	1355x1195x8	3714

Thread-pull-out force

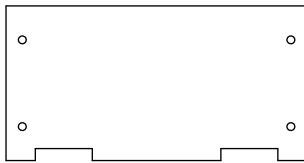
Thread size	Plate 5 mm	Plate 6 mm	Plate 8 mm
pull-out force M5	1000 N	1500 N	2000 N
pull-out force M6	1500 N	2000 N	2500 N
pull-out force M8	1500 N	2500 N	3000 N
pull-out force M10	not permitted	2500 N	3000 N

Base plate-F

Base plate made of thermoplastic material for freestanding cabinets series F and X, assembled on a base.

- Cabinet series F: the recesses are covered by the connecting rod of the cabinet, so IP 54 with seal is also possible
- Cabinet series X: if required by the application, base plates without recesses for protection class IP 54 must be used. Attention: only possible with ground-mounted bases SX.
- Variants without additional sealing.
- Sealed base plates for cabinets in IP 54 on request.

Base plate-F with recesses (cabinet series F and X)



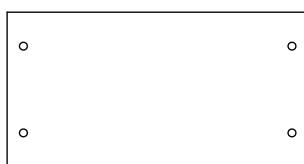
symbolic picture BPL with recesses

HINTS

For selecting the correct base plate, see "degree of protection of housings" on page 09.
more on
www.elsta.com/expertise

Suitable for cabinets WxD	Type/Description	External dimensions WxHxD	Order no.
440x200	BPL-F PVC F3/1 200	395x163x5	9463717
440x250	BPL-F PVC F3/1 250	395x213x5	9463296
440x320	BPL-F PVC F3/1 320	395x285x5	9462895
460x320	BPL-F PVC X00 320	415x285x5	9466587
590x250	BPL-F PVC F4 250	545x213x5	9466272
590x320	BPL-F PVC F4 X0 320	545x285x5	9461495
590x412	BPL-F PVC F4 412	545x374x5	9466424
590x470	BPL-F PVC F4 470	545x433x5	9463192
590x635	BPL-F PVC F4 635	545x598x5	9466284
785x250	BPL-F PVC F5 250	740x213x5	9466273
785x320	BPL-F PVC F5 X1 320	740x285x5	9461473
785x412	BPL-F PVC F5 412	740x374x5	9466426
785x470	BPL-F PVC F5 470	740x433x5	9463193
785x635	BPL-F PVC F5 635	740x598x5	9466285
1115x320	BPL-F PVC F6 X2 320	1070x285x5	9462209
1115x412	BPL-F PVC F6 412	1070x374x5	9466428
1115x470	BPL-F PVC F6 470	1070x433x5	9463194
1115x635	BPL-F PVC F6 635	1070x598x5	9466429
1445x320	BPL-F PVC F X3 320	1400x285x5	9466430
1445x412	BPL-F PVC F X3 412	1400x374x5	9466431
1445x470	BPL-F PVC F X3 470	1400x433x5	9466039
1445x635	BPL-F PVC F X3 635	1400x598x5	9465987

Base plate-F without recesses (cabinet series X)



symbolic picture BPL without recesses

Suitable for cabinets WxD	Type/Description	External dimensions WxHxD	Order no.
460x320	BPL-F PVC X00	415x285x5	9463211
590x320	BPL-F PVC X0	545x285x5	9466423
785x320	BPL-F PVC X1	740x285x5	9466425
1115x320	BPL-F PVC X2	1070x285x5	9466427

BASES FOR DISTRIBUTION CABINETS

Bases for distribution cabinets



Ground-mounted bases



Bases for floor-mounting



Bases extensions



Fairground bases



Accessories for bases

Content

Page

Ground-mounted bases	67
Bases for floor-mounting	88
Base extensions	104
Fairground bases	110
Accessories for Bases	114

Functionally reliable cabinets need stable bases

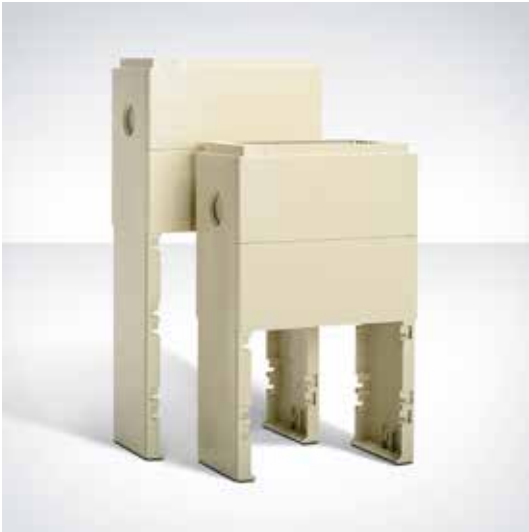
The base products from ELSTA Mosdorfer are the perfect foundation for the installation of freestanding distribution cabinets. They are either embedded in the soil or bolted to a foundation on the ground.

Cabinet systems perfectly secured

When installing freestanding polyester cabinets, matching bases must be used to secure the distribution box in the soil or to the ground.

availabilities

- *available as standard (see order no.)*
- *optionally available*
- *variant or order no. on request
(availability depending on the required quantity)*



Bases for distribution cabinets

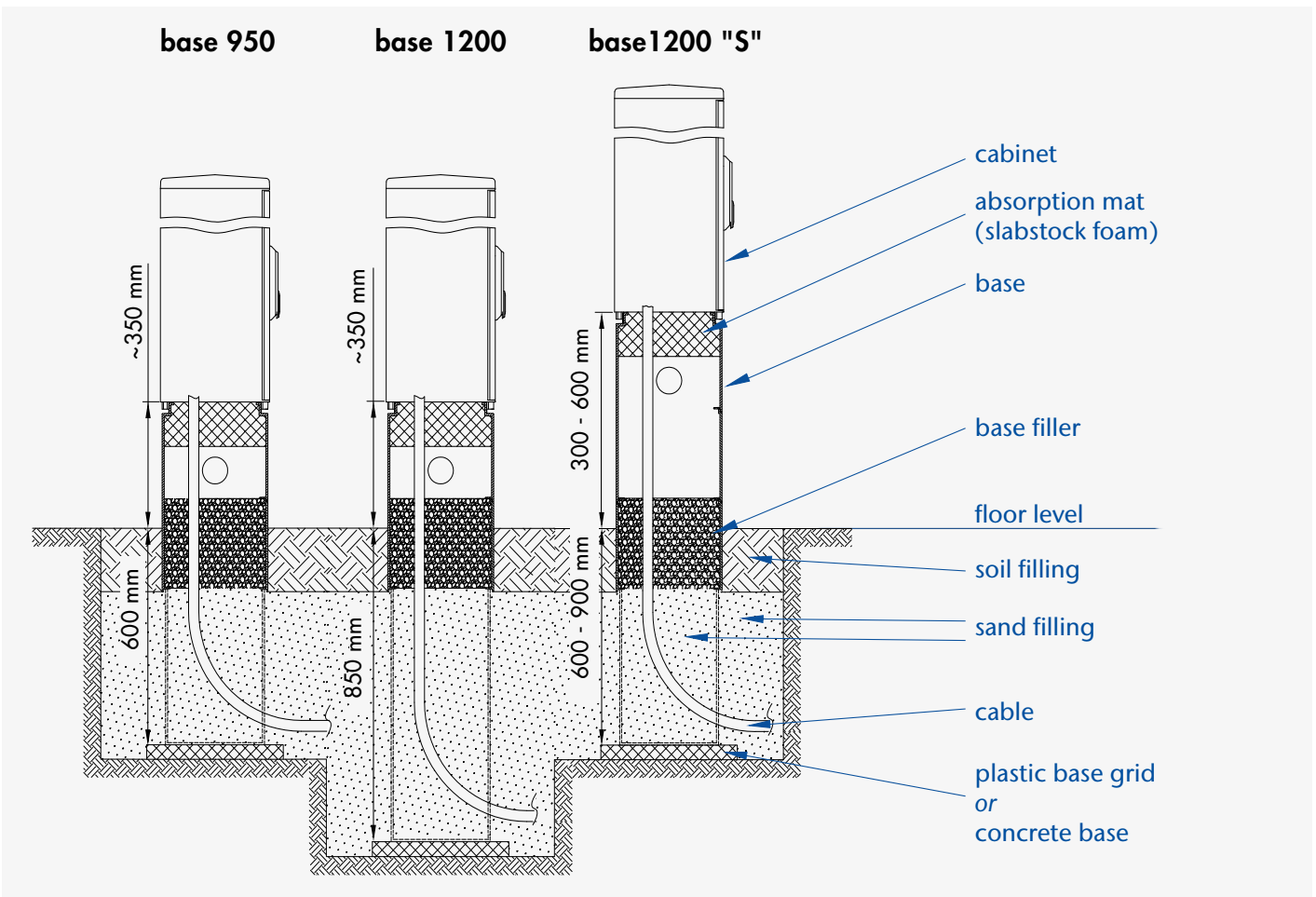
The right base for every cabinet

ELSTA Mosdorfer has a wide range of standard bases and special sizes for freestanding distribution cabinets as a foundation for embedding into the soil.

Stable base-unit with high weather resistance

The polyester ground-mounted bases from ELSTA Mosdorfer, with heights of 950 mm and 1200 mm, are embedded into the soil down to a defined depth of 600 mm or 850 mm. When fully installed, they form a stable unit with the freestanding distribution cabinet. Like the ELSTA cabinet, the ELSTA base is made of hot-pressed, glass fiber-reinforced polyester and has good UV- and weather resistance is highly resistant to chemicals.

BASE TYPES, DIGGING DEPTHS AND FILLING LAYERS



Design / Characteristics

- base consisting of two side parts, a rear wall and front plates (top one can swivel, bottom one is fixed)
- easy assembly by one person
- mainly plug-in installation of the individual parts
- a strain relief element (anchor rail or angle section) for securing the cable is either plugged into the side parts or screwed to the rear wall, and can be mounted at different heights
- material: hot-pressed, glass fibre reinforced thermoset composites, based on unsaturated polyester resin, solid colored and halogen-free
- corrosion-resistant material for all metal parts

Standard Design

- variants with heights of 950 mm, 1200 mm and 1200 mm with additional plate
- colors RAL 7032 or RAL 7035
- strain relief rail (anchor rail or angle section)
- side parts with construction site power openings (left with sealing plugs, right with slide cover), can be locked from within
- delivered in individual parts as a kit; base combinations for combined distribution cabinets under one roof are delivered assembled

Special Design

- painted in other RAL colors
- fairground bases for temporary connection of cables and lines with closed cabinet doors (e.g. at marketplaces or event sites)
- variants for the installation of metal distribution cabinets
- delivered assembled and/or with accessories (plastic base grid)
- Predetermined breaking point on the cabinet-base connection. This prevents excavation work after an accident.

Technical Specifications

chemical durability	
halogen-free	yes
termite proof	yes
resistant against:	acids: 10% hydrochloric acid, 10% sulfuric acid, 10%, acetic acid salts: sodium/calcium chloride, de-icing salts, brine further: oil, alcohol, bituminous materials, acidic and basic reactants in the soil, urine

Standards / Directives

- cabinet mounting dimensions in accordance with DIN 43629-2 and ÖNORM E 4382 (special sizes are created based on these standards)
- RoHS Directive (EU) 2015/863 (extension to directive 2011/65/EU)
- REACH Regulation (EC) no. 1907/2006 - last update see www.elsta.com/downloads

BASES FOR DISTRIBUTION CABINETS

GROUND-MOUNTED BASES

440x200

suitable for cabinet WxD

ÖNORM F3/1

Ground-mounted bases as construction kit with strain relief and construction site power openings

Variants	Features	External dimensions WxHxD	Base filler (qty.)		Type	Order no.	
			HP 20 cm ¹	BT 30 cm ¹		RAL 7032	RAL 7035
H 950	AS/ST/ST	420x950x180	17 l	26 l	S3 950/180	0327.ST	○
H 1200	AS/ST/ST	420x1200x180	17 l	26 l	S3 1200/180	0330.ST	○
H 1200S	AS/ST/ST	420x1200x180	17 l	26 l	S3S 1200/180	0433.ST	○

440x250

suitable for cabinet WxD

ÖNORM F3/1

Ground-mounted bases as construction kit with strain relief and construction site power openings

Variants	Features	External dimensions WxHxD	Base filler (qty.)		Type	Order no.	
			HP 20 cm ¹	BT 30 cm ¹		RAL 7032	RAL 7035
H 950	AS/ST/ST	420x950x240	23 l	34 l	S3/1 950/250	1457.ST	○
H 1200	AS/ST/ST	420x1200x240	23 l	34 l	S3/1 1200/250	1460.ST	○
H 1200S	AS/ST/ST	420x1200x240	23 l	34 l	S3/1S 1200/250	1461.ST	○

440x320

suitable for cabinet WxD

ÖNORM F3/1

Ground-mounted bases as construction kit with strain relief and construction site power openings

Variants	Features	External dimensions WxHxD	Base filler (qty.)		Type	Order no.	
			HP 20 cm ¹	BT 30 cm ¹		RAL 7032	RAL 7035
H 950	AS/ST/SC	425x950x310	30 l	45 l	S3/1 950/320	SX310	○
H 950	WP/ST/ST	425x950x310	30 l	45 l	S3/1 950/320	SX312	○
H 1200	AS/ST/SC	425x1200x310	30 l	45 l	S3/1 1200/320	SX320	○
H 1200	WP/ST/ST	425x1200x310	30 l	45 l	S3/1 1200/320	SX322	○
H 1200S	AS/ST/SC	425x1200x310	30 l	45 l	S3/1S 1200/320	SX330	○
H 1200S	WP/ST/ST	425x1200x310	30 l	45 l	S3/1S 1200/320	SX332	○

Accessories

Accessories for bases

Page 114

Dimensional Drawings

W 440

Page A47

Strain relief: AS - anchoring rail, WP - angle section
 Construction site power openings: ST - sealing plugs, SC - slide cover

¹ recommended filling height (HP - hydrophobic, BT - expanded clay)
² with additional plate (2 pieces for back and front) 250 mm height

460x320

suitable for cabinet WxD

DIN 00

Ground-mounted bases as construction kit with strain relief and construction site power openings

Variants	Features	External dimensions WxHxD	Base filler (qty.)		Type	Order no.	
			HP 20 cm ¹	BT 30 cm ¹		RAL 7032	RAL 7035
H 950	AS/ST/SC	455x950x310	32 l	48 l	S X00 950/320	○	SX300.1
H 950	WP/ST/ST	455x950x310	32 l	48 l	S X00 950/320	○	SX302.1
H 1200	AS/ST/SC	455x1200x310	32 l	48 l	S X00 1200/320	○	SX340.1
H 1200	WP/ST/ST	455x1200x310	32 l	48 l	S X00 1200/320	○	SX342.1
H 1200S	AS/ST/SC	455x1200x310	32 l	48 l	S X00 S 1200/320	○	SX350.1
H 1200S	WP/ST/ST	455x1200x310	32 l	48 l	S X00 S 1200/320	○	SX352.1

Accessories

Accessories
for bases

Page 114

Dimensional Drawings

W 460

Page A47

Bases for
distribution cabinets

Strain relief: AS - anchoring rail, WP - angle section
Construction site power openings: ST - sealing plugs, SC - slide cover

¹ recommended filling height (HP - hydrophobic, BT - expanded clay)
² with additional plate (2 pieces for back and front) 250 mm height

BASES FOR DISTRIBUTION CABINETS

GROUND-MOUNTED BASES

590x250

suitable for cabinet WxD

DIN 0 and ÖNORM F4

Ground-mounted bases as construction kit with strain relief and construction site power openings

Variants	Features	External dimensions WxHxD	Base filler (qty.)		Type	Order no.	
			HP 20 cm ¹	BT 30 cm ¹		RAL 7032	RAL 7035
H 950	AS/ST/ST	585x950x240	32 l	48 l	S4 950/250	1458.ST	1458.ST.1
H 1200	AS/ST/ST	585x1200x240	32 l	48 l	S4 1200/250	1462.ST	●
H 1200S	AS/ST/ST	585x1200x240	32 l	48 l	S4S 1200/250	1463.ST	●

590x320

suitable for cabinet WxD

DIN 0 and ÖNORM F4

Ground-mounted bases as construction kit with strain relief and construction site power openings

Variants	Features	External dimensions WxHxD	Base filler (qty.)		Type	Order no.	
			HP 20 cm ¹	BT 30 cm ¹		RAL 7032	RAL 7035
H 950	AS/ST/SC	590x950x310	41 l	61 l	S4 950/320	SX410	SX410.1
H 950	WP/ST/ST	590x950x310	41 l	61 l	S4 950/320	SX412	SX412.1
H 1200	AS/ST/SC	590x1200x310	41 l	61 l	S4 1200/320	SX420	SX420.1
H 1200	WP/ST/ST	590x1200x310	41 l	61 l	S4 1200/320	SX422	SX422.1
H 1200S	AS/ST/SC	590x1200x310	41 l	61 l	S4S 1200/320	SX430	SX430.1
H 1200S	WP/ST/ST	590x1200x310	41 l	61 l	S4S 1200/320	SX432	SX432.1

590x412

suitable for cabinet WxD

DIN 0 and ÖNORM F4

Ground-mounted bases as construction kit with strain relief and construction site power openings

Variants	Features	External dimensions WxHxD	Base filler (qty.)		Type	Order no.	
			HP 20 cm ¹	BT 30 cm ¹		RAL 7032	RAL 7035
H 950	WP/ST/ST	585x950x400	50 l	74 l	S4 950/412	○	3660
H 1200	○	585x1200x400	50 l	74 l	S4 1200/412	○	○
H 1200S	○	585x1200x400	50 l	74 l	S4S 1200/412	○	○

Strain relief: AS - anchoring rail, WP - angle section
Construction site power openings: ST - sealing plugs, SC - slide cover

¹ recommended filling height (HP - hydrophobic, BT - expanded clay)
² with additional plate (2 pieces for back and front) 250 mm height

590x470

suitable for cabinet WxD

DIN 0 and ÖNORM F4

Ground-mounted bases as construction kit with strain relief and construction site power openings

Variants	Features	External dimensions WxHxD	Base filler (qty.)		Type	Order no.	
			HP 20 cm ¹	BT 30 cm ¹		RAL 7032	RAL 7035
H 950	AS/ST/ST	585x950x459	60 l	90 l	S4 950/470	0668	●
H 950	WP/ST/ST	585x950x459	60 l	90 l	S4 950/470	10018967	10038355
H 1200	AS/ST/ST	585x1200x459	60 l	90 l	S4 1200/470	1444	○
H 1200S	AS/ST/ST	585x1200x459	60 l	90 l	S4S 1200/470	2446	○

590x635

suitable for cabinet WxD

DIN 0 and ÖNORM F4

Ground-mounted bases as construction kit with strain relief and construction site power openings

Variants	Features	External dimensions WxHxD	Base filler (qty.)		Type	Order no.	
			HP 20 cm ¹	BT 30 cm ¹		RAL 7032	RAL 7035
H 950	AS/ST/ST	585x950x624	82 l	122 l	S4 950/635	SX4DT10	●
H 950	WP/ST/ST	585x950x624	82 l	122 l	S4 950/635	●	10039700
H 1200	AS/ST/SC	590x1200x620	82 l	122 l	S4 1200/635 R/R*	SX4DT20	●
H 1200S	AS/ST/SC	590x1200x620	82 l	122 l	S4S 1200/635 R/R*	SX4DT30	●

*Form of delivery: fully assembled

Accessories

Accessories
for bases

Page 114

Dimensional Drawings

w 590

Page A47

Strain relief: AS - anchoring rail, WP - angle section
Construction site power openings: ST - sealing plugs, SC - slide cover

¹ recommended filling height (HP - hydrophobic, BT - expanded clay)
² with additional plate (2 pieces for back and front) 250 mm height

BASES FOR DISTRIBUTION CABINETS

GROUND-MOUNTED BASES

785x250

suitable for cabinet WxD

DIN 1 and ÖNORM F5

Ground-mounted bases as construction kit with strain relief and construction site power openings

Variants	Features	External dimensions WxHxD	Base filler (qty.)		Type	Order no.	
			HP 20 cm ¹	BT 30 cm ¹		RAL 7032	RAL 7035
H 950	AS/ST/ST	780x950x240	42 l	63 l	S5 950/250	1459.ST	1459.ST.1
H 1200	AS/ST/ST	780x1200x240	42 l	63 l	S5 1200/250	1464.ST	●
H 1200S	AS/ST/ST	780x1200x240	42 l	63 l	S5S 1200/250	1465.ST	●

785x320

suitable for cabinet WxD

DIN 1 and ÖNORM F5

Ground-mounted bases as construction kit with strain relief and construction site power openings

Variants	Features	External dimensions WxHxD	Base filler (qty.)		Type	Order no.	
			HP 20 cm ¹	BT 30 cm ¹		RAL 7032	RAL 7035
H 950	AS/ST/SC	785x950x310	55 l	82 l	S5 950/320	SX510	SX510.1
H 950	WP/ST/ST	785x950x310	55 l	82 l	S5 950/320	SX512	SX512.1
H 1200	AS/ST/SC	785x1200x310	55 l	82 l	S5 1200/320	SX520	SX520.1
H 1200	WP/ST/ST	785x1200x310	55 l	82 l	S5 1200/320	SX522	SX522.1
H 1200S	AS/ST/SC	785x1200x310	55 l	82 l	S5S 1200/320	SX530	SX530.1
H 1200S	WP/ST/ST	785x1200x310	55 l	82 l	S5S 1200/320	SX532	SX532.1

785x412

suitable for cabinet WxD

DIN 1 and ÖNORM F5

Ground-mounted bases as construction kit with strain relief and construction site power openings

Variants	Features	External dimensions WxHxD	Base filler (qty.)		Type	Order no.	
			HP 20 cm ¹	BT 30 cm ¹		RAL 7032	RAL 7035
H 950	WP/ST/ST	780x950x400	66 l	100 l	S5 950/412	○	3650
H 1200	○	780x1200x400	66 l	100 l	S5 1200/412	○	○
H 1200S	○	780x1200x400	66 l	100 l	S5S 1200/412	○	○

Strain relief: AS - anchoring rail, WP - angle section
Construction site power openings: ST - sealing plugs, SC - slide cover

¹ recommended filling height (HP - hydrophobic, BT - expanded clay)
² with additional plate (2 pieces for back and front) 250 mm height

785x470

suitable for cabinet WxD

DIN 1 and ÖNORM F5

Ground-mounted bases as construction kit with strain relief and construction site power openings

Variants	Features	External dimensions WxHxD	Base filler (qty.)		Type	Order no.	
			HP 20 cm ¹	BT 30 cm ¹		RAL 7032	RAL 7035
H 950	AS/ST/ST	780x950x459	80 l	120 l	S5 950/470	0670	0670.1
H 950	WP/ST/ST	780x950x459	80 l	120 l	S5 950/470	10018966	10037573
H 1200	AS/ST/ST	780x1200x459	80 l	120 l	S5 1200/470	1445	o
H 1200S	AS/ST/ST	780x1200x459	80 l	120 l	S5S 1200/470	1447	o

785x635

suitable for cabinet WxD

DIN 1 and ÖNORM F5

Ground-mounted bases as construction kit with strain relief and construction site power openings

Variants	Features	External dimensions WxHxD	Base filler (qty.)		Type	Order no.	
			HP 20 cm ¹	BT 30 cm ¹		RAL 7032	RAL 7035
H 950	AS/ST/ST	780x950x624	110 l	164 l	S5 950/635	SX5DT10	SX5DT10.1
H 950	WP/ST/ST	780x950x624	110 l	164 l	S5 950/635	o	10039701
H 1200	AS/ST/SC	785x1200x620	110 l	164 l	S5 1200/635 R/R*	SX5DT20	o
H 1200S	AS/ST/SC	785x1200x620	110 l	164 l	S5S 1200/635 R/R*	SX5DT30	o

*Form of delivery: fully assembled

Accessories

Accessories
for bases

Page 114

Dimensional Drawings

W 785

Page A49

Strain relief: AS - anchoring rail, WP - angle section
Construction site power openings: ST - sealing plugs, SC - slide cover

¹ recommended filling height (HP - hydrophobic, BT - expanded clay)
² with additional plate (2 pieces for back and front) 250 mm height

1115x320

suitable for cabinet WxD

DIN 2 and ÖNORM F6

Ground-mounted bases as construction kit with strain relief and construction site power openings

Variants	Features	External dimensions WxHxD	Base filler (qty.)		Type	Order no.	
			HP 20 cm ¹	BT 30 cm ¹		RAL 7032	RAL 7035
H 950	AS/ST/SC	1115x950x312	77 l	115 l	S6 950/320	SX610	SX610.1
H 950	WP/ST/ST	1115x950x312	77 l	115 l	S6 950/320	SX612	SX612.1
H 1200	AS/ST/SC	1115x1200x312	77 l	115 l	S6 1200/320	SX620	SX620.1
H 1200	WP/ST/ST	1115x1200x312	77 l	115 l	S6 1200/320	SX622	SX622.1
H 1200S	AS/ST/SC	1115x1200x312	77 l	115 l	S6S 1200/320	SX630	SX630.1
H 1200S	WP/ST/ST	1115x1200x312	77 l	115 l	S6S 1200/320	SX632	SX632.1

1115x412

suitable for cabinet WxD

DIN 2 and ÖNORM F6

Ground-mounted bases as construction kit with strain relief and construction site power openings

Variants	Features	External dimensions WxHxD	Base filler (qty.)		Type	Order no.	
			HP 20 cm ¹	BT 30 cm ¹		RAL 7032	RAL 7035
H 950	WP/ST/ST	1110x950x400	95 l	140 l	S6 950/412	o	3649
H 1200	o	1110x1200x400	95 l	140 l	S6 1200/412	o	o
H 1200S	o	1110x1200x400	95 l	140 l	S6S 1200/412	o	o

1115x470

suitable for cabinet WxD

DIN 2 and ÖNORM F6

Ground-mounted bases as construction kit with strain relief and construction site power openings

Variants	Features	External dimensions WxHxD	Base filler (qty.)		Type	Order no.	
			HP 20 cm ¹	BT 30 cm ¹		RAL 7032	RAL 7035
H 950	AS/ST/ST	1110x950x459	114 l	171 l	S6 950/470	0669	0669.1
H 950	WP/ST/ST	1110x950x459	114 l	171 l	S6 950/470	10021661	10037572
H 1200	AS/ST/ST	1110x1200x459	114 l	171 l	S6 1200/470	1446	o
H 1200S	AS/ST/ST	1110x1200x459	114 l	171 l	S6S 1200/470	2447	o

Strain relief: AS - anchoring rail, WP - angle section
Construction site power openings: ST - sealing plugs, SC - slide cover

¹ recommended filling height (HP - hydrophobic, BT - expanded clay)
² with additional plate (2 pieces for back and front) 250 mm height

1115x635

suitable for cabinet WxD

DIN 2 and ÖNORM F6
Ground-mounted bases as construction kit with strain relief and construction site power openings

Variants	Features	External dimensions WxHxD	Base filler (qty.)		Type	Order no.	
			HP 20 cm ¹	BT 30 cm ¹		RAL 7032	RAL 7035
H 950	AS/ST/ST	1110x950x624	154 l	230 l	S6 950/635	SX6DT10	●
H 950	WP/ST/ST	1110x950x624	154 l	230 l	S6 950/635	10031306	10039703
H 1200	AS/ST/SC	1115x1200x620	154 l	230 l	S6 1200/635 R/R*	SX6DT20	●
H 1200S	AS/ST/SC	1115x1200x620	154 l	230 l	S6S 1200/635 R/R*	SX6DT30	●

*Form of delivery: fully assembled

Accessories

Accessories for bases

Page 114

Dimensional Drawings

W 1115

Page A50

Strain relief: AS - anchoring rail, WP - angle section
Construction site power openings: ST - sealing plugs, SC - slide cover

¹ recommended filling height (HP - hydrophobic, BT - expanded clay)
² with additional plate (2 pieces for back and front) 250 mm height

BASES FOR DISTRIBUTION CABINETS

GROUND-MOUNTED BASES

1445x320

suitable for cabinet WxD

DIN 3

Ground-mounted bases as construction kit with strain relief and construction site power openings

Variants	Features	External dimensions WxHxD	Base filler (qty.)		Type	Order no.	
			HP 20 cm ¹	BT 30 cm ¹		RAL 7032	RAL 7035
H 950	AS/ST/ST	1440x950x310	95 l	150 l	S X3 950/320	○	3733
H 950	WP/ST/ST	1440x950x310	95 l	150 l	S X3 950/320	○	2990
H 1200	AS/ST/ST	1440x1200x310	95 l	150 l	S X3 1200/320	○	3734
H 1200	WP/ST/ST	1440x1200x310	95 l	150 l	S X3 1200/320	○	3766
H 1200S	AS/ST/ST	1440x1200x310	95 l	150 l	S X3 S 1200/320	○	3735
H 1200S	WP/ST/ST	1440x1200x310	95 l	150 l	S X3 S 1200/320	○	2991

1445 x412

suitable for cabinet WxD

DIN 3

Ground-mounted bases as construction kit with strain relief and construction site power openings

Variants	Features	External dimensions WxHxD	Base filler (qty.)		Type	Order no.	
			HP 20 cm ¹	BT 30 cm ¹		RAL 7032	RAL 7035
H 950	WP/ST/ST	1440x950x400	125 l	188 l	S X3 950/412	○	3661
H 1200	○	1440x1200x400	125 l	188 l	S X3 1200/412	○	○
H 1200S	○	1440x1200x400	125 l	188 l	S X3 S 1200/412	○	○

1445x470

suitable for cabinet WxD

DIN 3

Ground-mounted bases as construction kit with strain relief and construction site power openings

Variants	Features	External dimensions WxHxD	Base filler (qty.)		Type	Order no.	
			HP 20 cm ¹	BT 30 cm ¹		RAL 7032	RAL 7035
H 950	AS/ST/ST	1440x950x459	140 l	210 l	S X3 950/470	○	3732
H 950	WP/ST/ST	1440x950x459	140 l	210 l	S X3 950/470	○	10039501
H 1200	○	1440x1200x459	140 l	210 l	S X3 1200/470	○	○
H 1200S	○	1440x1200x459	140 l	210 l	S X3 S 1200/470	○	○

Strain relief: AS - anchoring rail, WP - angle section
 Construction site power openings: ST - sealing plugs, SC - slide cover

¹ recommended filling height (HP - hydrophobic, BT - expanded clay)
² with additional plate (2 pieces for back and front) 250 mm height

1445x635

suitable for cabinet WxD

DIN 3
Ground-mounted bases as construction kit with strain relief and construction site power openings

Variants	Features	External dimensions WxHxD	Base filler (qty.)		Type	Order no.	
			HP 20 cm ¹	BT 30 cm ¹		RAL 7032	RAL 7035
H 950	WP/ST/ST	1440x950x623	190 l	285 l	S X3 950/635	○	10039704
H 1200	○	1440x1200x623	190 l	285 l	S X3 1200/635 R/R*	○	●
H 1200S	○	1440x1200x623	190 l	285 l	S X3 S 1200/635 R/R*	○	●

*Form of delivery: fully assembled

Accessories

Accessories for bases

Page 114

Dimensional Drawings

W 1445

Page A51

Strain relief: AS - anchoring rail, WP - angle section
Construction site power openings: ST - sealing plugs, SC - slide cover

¹ recommended filling height (HP - hydrophobic, BT - expanded clay)
² with additional plate (2 pieces for back and front) 250 mm height

BASES FOR DISTRIBUTION CABINETS

GROUND-MOUNTED BASES | COMBINATIONS

440-440
880x320

suitable for cabinet WxD

ÖNORM F3/1-F3/1

Combined ground-mounted base, assembled with strain relief and construction site power openings

Variants	Features	External dimensions WxHxD	Base filler (qty.)		Type	Order no.	
			HP 20 cm ¹	BT 30 cm ¹		RAL 7032	RAL 7035
H 950	AS/ST/SC	875x950x310	60 l	90 l	S3/1-S3/1 950/320	SXZ3310	○
H 950	WP/ST/ST	875x950x310	60 l	90 l	S3/1-S3/1 950/320	SXZ3312	○
H 1200	AS/ST/SC	875x1200x310	60 l	90 l	S3/1-S3/1 1200/320	SXZ3320	○
H 1200S	○	875x1200x310	60 l	90 l	S3/1S-S3/1S 1200/320	●	○

Accessories

Accessories
for bases

Page 114

Dimensional Drawings

⁴⁴⁰⁻⁴⁴⁰
W 880

Page A53

440-590
1030x320

suitable for cabinet WxD

ÖNORM F3/1-F4

Combined ground-mounted base, assembled with strain relief and construction site power openings

Variants	Features	External dimensions WxHxD	Base filler (qty.)		Type	Order no.	
			HP 20 cm ¹	BT 30 cm ¹		RAL 7032	RAL 7035
H 950	AS/ST/SC	1030x950x310	71 l	106 l	S3/1-S4 950/320	SXZ3410	○
H 950	WP/ST/ST	1030x950x310	71 l	106 l	S3/1-S4 950/320	SXZ3412	○
H 1200	AS/ST/SC	1030x1200x310	71 l	106 l	S3/1-S4 1200/320	SXZ3420	○
H 1200S	○	1030x1200x310	71 l	106 l	S3/1S-S4S 1200/320	●	○

590-440
1030x320

suitable for cabinet WxD

ÖNORM F4-F3/1

Combined ground-mounted base, assembled with strain relief and construction site power openings

Variants	Features	External dimensions WxHxD	Base filler (qty.)		Type	Order no.	
			HP 20 cm ¹	BT 30 cm ¹		RAL 7032	RAL 7035
H 950	AS/ST/SC	1030x950x310	71 l	106 l	S4-S3/1 950/320	SXZ4310	○
H 1200	AS/ST/SC	1030x1200x310	71 l	106 l	S4-S3/1 1200/320	SXZ4320	○
H 1200S	○	1030x1200x310	71 l	106 l	S4S-S3/1S 1200/320	●	○

Accessories

Accessories
for bases

Page 114

Dimensional Drawings

⁴⁴⁰⁻⁵⁹⁰
W 1030

Page A53

⁵⁹⁰⁻⁴⁴⁰
W 1030

Page A53

Strain relief: AS - anchoring rail, WP - angle section
Construction site power openings: ST - sealing plugs, SC - slide cover

¹ recommended filling height (HP - hydrophobic, BT - expanded clay)
² with additional plate (2 pieces for back and front) 250 mm height

590-590
1180x320
 suitable for cabinet WxD

DIN 0-0 and ÖNORM F4-F4
 Combined ground-mounted base, assembled with strain relief and construction site power openings

Variants	Features	External dimensions WxHxD	Base filler (qty.)		Type	Order no.	
			HP 20 cm ¹	BT 30 cm ¹		RAL 7032	RAL 7035
H 950	AS/ST/SC	1180x950x310	82 l	122 l	S4-S4 950/320	SXZ4410	○
H 950	WP/ST/ST	1180x950x310	82 l	122 l	S4-S4 950/320	SXZ4412	○
H 1200	AS/ST/SC	1180x1200x310	82 l	122 l	S4-S4 1200/320	SXZ4420	○
H 1200S	AS/ST/SC	1180x1200x310	82 l	122 l	S4S-S4S 1200/320	SXZ4430	○

Accessories

Accessories for bases

Page 114

Dimensional Drawings

⁵⁹⁰⁻⁵⁹⁰
W 1180

Page A53

Strain relief: AS - anchoring rail, WP - angle section
 Construction site power openings: ST - sealing plugs, SC - slide cover

¹ recommended filling height (HP - hydrophobic, BT - expanded clay)
² with additional plate (2 pieces for back and front) 250 mm height

440-785
1225x320
 suitable for cabinet WxD

ÖNORM F3/1-F5
 Combined ground-mounted base, assembled with strain relief and construction site power openings

Variants	Features	External dimensions WxHxD	Base filler (qty.)		Type	Order no.	
			HP 20 cm ¹	BT 30 cm ¹		RAL 7032	RAL 7035
H 950	AS/ST/SC	1225x950x310	85 l	127 l	S3/1-S5 950/320	SXZ3510	○
H 950	WP/ST/ST	1225x950x310	85 l	127 l	S3/1-S5 950/320	SXZ3512	○
H 1200	AS/ST/SC	1225x1200x310	85 l	127 l	S3/1-S5 1200/320	SXZ3520	○
H 1200S	○	1225x1200x310	85 l	127 l	S3/1S-S5S 1200/320	●	○

785-440
1225x320
 suitable for cabinet WxD

ÖNORM F5-F3/1
 Combined ground-mounted base, assembled with strain relief and construction site power openings

Variants	Features	External dimensions WxHxD	Base filler (qty.)		Type	Order no.	
			HP 20 cm ¹	BT 30 cm ¹		RAL 7032	RAL 7035
H 950	AS/ST/SC	1225x950x310	85 l	127 l	S5-S3/1 950/320	SXZ5310	○
H 1200	AS/ST/SC	1225x1200x310	85 l	127 l	S5-S3/1 1200/320	SXZ5320	○
H 1200S	○	1225x1200x310	85 l	127 l	S5S-S3/1S 1200/320	●	○

Accessories

Accessories for bases

Page 114

Dimensional Drawings

⁴⁴⁰⁻⁷⁸⁵
W 1225

Page A54

⁷⁸⁵⁻⁴⁴⁰
W 1225

Page A54

Strain relief: AS - anchoring rail, WP - angle section
 Construction site power openings: ST - sealing plugs, SC - slide cover

¹ recommended filling height (HP - hydrophobic, BT - expanded clay)
² with additional plate (2 pieces for back and front) 250 mm height

590-785
1375x320
suitable for cabinet WxD

DIN 0-1 and ÖNORM F4-F5
Combined ground-mounted base, assembled with strain relief and construction site power openings

Variants	Features	External dimensions WxHxD	Base filler (qty.)		Type	Order no.	
			HP 20 cm ¹	BT 30 cm ¹		RAL 7032	RAL 7035
H 950	AS/ST/SC	1375x950x310	96 l	143 l	S4-S5 950/320	SXZ4510	○
H 950	WP/ST/ST	1375x950x310	96 l	143 l	S4-S5 950/320	SXZ4512	○
H 1200	AS/ST/SC	1375x1200x310	96 l	143 l	S4-S5 1200/320	SXZ4520	○
H 1200S	AS/ST/SC	1375x1200x310	96 l	143 l	S4S-S5S 1200/320	SXZ4530	○

590-785
1375x470
suitable for cabinet WxD

DIN 0-1 and ÖNORM F4-F5
Combined ground-mounted base, assembled with strain relief and construction site power openings

Variants	Features	External dimensions WxHxD	Base filler (qty.)		Type	Order no.	
			HP 20 cm ¹	BT 30 cm ¹		RAL 7032	RAL 7035
H 950	AS/ST/ST	1370x950x459	140 l	210 l	S4-S5 950/470	SXZ454710	○
H 1200	○	1370x1200x459	140 l	210 l	S4-S5 1200/470	●	○
H 1200S	○	1370x1200x459	140 l	210 l	S4S-S5S 1200/470	●	○

Accessories

Accessories
for bases

Page 114

Dimensional Drawings

590-785
W 1375

Page A54

Strain relief: AS - anchoring rail, WP - angle section
Construction site power openings: ST - sealing plugs, SC - slide cover

¹ recommended filling height (HP - hydrophobic, BT - expanded clay)
² with additional plate (2 pieces for back and front) 250 mm height

785-590
1375x320
suitable for cabinet WxD

DIN 1-0 and ÖNORM F5-F4
Combined ground-mounted base, assembled with strain relief and construction site power openings

Variants	Features	External dimensions WxHxD	Base filler (qty.)		Type	Order no.	
			HP 20 cm ¹	BT 30 cm ¹		RAL 7032	RAL 7035
H 950	AS/ST/SC	1375x950x310	96 l	143 l	S5-S4 950/320	SXZ5410	○
H 1200	AS/ST/SC	1375x1200x310	96 l	143 l	S5-S4 1200/320	SXZ5420	○
H 1200S	AS/ST/SC	1375x1200x310	96 l	143 l	S5S-S4S 1200/320	SXZ5430	○

785-590
1375x470
suitable for cabinet WxD

DIN 1-0 and ÖNORM F5-F4
Combined ground-mounted base, assembled with strain relief and construction site power openings

Variants	Features	External dimensions WxHxD	Base filler (qty.)		Type	Order no.	
			HP 20 cm ¹	BT 30 cm ¹		RAL 7032	RAL 7035
H 950	AS/ST/ST	1370x950x459	140 l	210 l	S5-S4 950/470	SXZ544710	○
H 950	WP/ST/ST	1370x950x459	140 l	210 l	S5-S4 950/470	SXZ544712	○
H 1200	○	1370x1200x459	140 l	210 l	S5-S4 1200/470	●	○
H 1200S	○	1370x1200x459	140 l	210 l	S5S-S4S 1200/470	●	○

Accessories

Accessories for bases

Page 114

Dimensional Drawings

⁷⁸⁵⁻⁵⁹⁰
W 1375

Page A55

Strain relief: AS - anchoring rail, WP - angle section
Construction site power openings: ST - sealing plugs, SC - slide cover

¹ recommended filling height (HP - hydrophobic, BT - expanded clay)
² with additional plate (2 pieces for back and front) 250 mm height

785-785
1570x320
suitable for cabinet WxD

DIN 1-1 and ÖNORM F5-F5
Combined ground-mounted base, assembled with strain relief and construction site power openings

Variants	Features	External dimensions WxHxD	Base filler (qty.)		Type	Order no.	
			HP 20 cm ¹	BT 30 cm ¹		RAL 7032	RAL 7035
H 950	AS/ST/SC	1570x950x310	110 l	164 l	S5-S5 950/320	SXZ5510	○
H 950	WP/ST/ST	1570x950x310	110 l	164 l	S5-S5 950/320	SXZ5512	○
H 1200	AS/ST/SC	1570x1200x310	110 l	164 l	S5-S5 1200/320	SXZ5520	○
H 1200S	AS/ST/SC	1570x1200x310	110 l	164 l	S5S-S5S 1200/320	SXZ5530	○

785-785
1570x470
suitable for cabinet WxD

DIN 1-1 and ÖNORM F5-F5
Combined ground-mounted base, assembled with strain relief and construction site power openings

Variants	Features	External dimensions WxHxD	Base filler (qty.)		Type	Order no.	
			HP 20 cm ¹	BT 30 cm ¹		RAL 7032	RAL 7035
H 950	AS/ST/ST	1565x950x459	160 l	240 l	S5-S5 950/470	SXZ554710	○
H 950	WP/ST/ST	1565x950x459	160 l	240 l	S5-S5 950/470	SXZ554712	○
H 1200	AS/ST/ST	1565x1200x459	160 l	240 l	S5-S5 1200/470	SXZ554720	○
H 1200S	○	1565x1200x459	160 l	240 l	S5S-S5S 1200/470	●	○

Accessories

Accessories for bases

Page 114

Dimensional Drawings

⁷⁸⁵⁻⁷⁸⁵
W 1570

Page A55

Strain relief: AS - anchoring rail, WP - angle section
Construction site power openings: ST - sealing plugs, SC - slide cover

¹ recommended filling height (HP - hydrophobic, BT - expanded clay)
² with additional plate (2 pieces for back and front) 250 mm height

590-1115 1705x320

suitable for cabinet WxD

DIN 0-2 and ÖNORM F4-F6
Combined ground-mounted base, assembled with strain relief and construction site power openings

Variants	Features	External dimensions WxHxD	Base filler (qty.)		Type	Order no.	
			HP 20 cm ¹	BT 30 cm ¹		RAL 7032	RAL 7035
H 950	AS/ST/SC	1705x950x310	118 l	176 l	S4-S6 950/320	SXZ4610	○
H 1200	AS/ST/SC	1705x1200x310	118 l	176 l	S4-S6 1200/320	SXZ4620	○
H 1200S	AS/ST/SC	1705x1200x310	118 l	176 l	S4S-S6S 1200/320	SXZ4630	○

590-1115 1705x470

suitable for cabinet WxD

DIN 0-2 and ÖNORM F4-F6
Combined ground-mounted base, assembled with strain relief and construction site power openings

Variants	Features	External dimensions WxHxD	Base filler (qty.)		Type	Order no.	
			HP 20 cm ¹	BT 30 cm ¹		RAL 7032	RAL 7035
H 950	AS/ST/ST	1700x950x459	175 l	260 l	S4-S6 950/470	SXZ464710	○
H 950	WP/ST/ST	1700x950x459	175 l	260 l	S4-S6 950/470	SXZ464712	○
H 1200	○	1700x1200x459	175 l	260 l	S4-S6 1200/470	●	○
H 1200S	○	1700x1200x459	175 l	260 l	S4S-S6S 1200/470	●	○

Accessories

Accessories for bases

Page 114

Dimensional Drawings

⁵⁹⁰⁻¹¹¹⁵
W 1705

Page A56

Strain relief: AS - anchoring rail, WP - angle section
Construction site power openings: ST - sealing plugs, SC - slide cover

¹ recommended filling height (HP - hydrophobic, BT - expanded clay)
² with additional plate (2 pieces for back and front) 250 mm height

1115-590 1705x320

suitable for cabinet WxD

DIN 2-0 and ÖNORM F6-F4
Combined ground-mounted base, assembled with strain relief and construction site power openings

Variants	Features	External dimensions WxHxD	Base filler (qty.)		Type	Order no.	
			HP 20 cm ¹	BT 30 cm ¹		RAL 7032	RAL 7035
H 950	AS/ST/SC	1705x950x310	118 l	176 l	S6-S4 950/320	SXZ6410	o
H 1200	AS/ST/SC	1705x1200x310	118 l	176 l	S6-S4 1200/320	SXZ6420	o
H 1200S	AS/ST/SC	1705x1200x310	118 l	176 l	S6S-S4S 1200/320	SXZ6430	o

1115-590 1705x470

suitable for cabinet WxD

DIN 2-0 and ÖNORM F6-F4
Combined ground-mounted base, assembled with strain relief and construction site power openings

Variants	Features	External dimensions WxHxD	Base filler (qty.)		Type	Order no.	
			HP 20 cm ¹	BT 30 cm ¹		RAL 7032	RAL 7035
H 950	AS/ST/ST	1700x950x459	175 l	260 l	S6-S4 950/470	SXZ644710	o
H 1200	AS/ST/ST	1700x1200x459	175 l	260 l	S6-S4 1200/470	SXZ644720	o
H 1200S	AS/ST/ST	1700x1200x459	175 l	260 l	S6S-S4S 1200/470	SXZ644730	o

Accessories

Accessories for bases

Page 114

Dimensional Drawings

1115-590 W 1705

Page A56

Strain relief: AS - anchoring rail, WP - angle section
Construction site power openings: ST - sealing plugs, SC - slide cover

¹ recommended filling height (HP - hydrophobic, BT - expanded clay)
² with additional plate (2 pieces for back and front) 250 mm height

785-1115 1900x320

suitable for cabinet WxD

DIN 1-2 and ÖNORM F5-F6
Combined ground-mounted base, assembled with strain relief and construction site power openings

Variants	Features	External dimensions WxHxD	Base filler (qty.)		Type	Order no.	
			HP 20 cm ¹	BT 30 cm ¹		RAL 7032	RAL 7035
H 950	AS/ST/SC	1900x950x310	132 l	197 l	S5-S6 950/320	SXZ5610	○
H 950	WP/ST/ST	1900x950x310	132 l	197 l	S5-S6 950/320	SXZ5612	○
H 1200	AS/ST/SC	1900x1200x310	132 l	197 l	S5-S6 1200/320	SXZ5620	○
H 1200S	AS/ST/SC	1900x1200x310	132 l	197 l	S5S-S6S 1200/320	SXZ5630	○

785-1115 1900x470

suitable for cabinet WxD

DIN 1-2 and ÖNORM F5-F6
Combined ground-mounted base, assembled with strain relief and construction site power openings

Variants	Features	External dimensions WxHxD	Base filler (qty.)		Type	Order no.	
			HP 20 cm ¹	BT 30 cm ¹		RAL 7032	RAL 7035
H 950	AS/ST/ST	1895x950x459	195 l	290 l	S5-S6 950/470	SXZ564710	○
H 950	WP/ST/ST	1895x950x459	195 l	290 l	S5-S6 950/470	SXZ564712	○
H 1200	○	1895x1200x459	195 l	290 l	S5-S6 1200/470	●	○
H 1200S	AS/ST/ST	1895x1200x459	195 l	290 l	S5S-S6S 1200/470	SXZ564730	○

Accessories

Accessories for bases

Page 114

Dimensional Drawings

⁷⁸⁵⁻¹¹¹⁵
W 1900

Page A57

Strain relief: AS - anchoring rail, WP - angle section
Construction site power openings: ST - sealing plugs, SC - slide cover

¹ recommended filling height (HP - hydrophobic, BT - expanded clay)
² with additional plate (2 pieces for back and front) 250 mm height

1115-785 1900x320

suitable for cabinet WxD

DIN 2-1 and ÖNORM F6-F5
Combined ground-mounted base, assembled with strain relief and construction site power openings

Variants	Features	External dimensions WxHxD	Base filler (qty.)		Type	Order no.	
			HP 20 cm ¹	BT 30 cm ¹		RAL 7032	RAL 7035
H 950	AS/ST/SC	1900x950x310	132 l	197 l	S6-S5 950/320	SXZ6510	○
H 1200	AS/ST/SC	1900x1200x310	132 l	197 l	S6-S5 1200/320	SXZ6520	○
H 1200S	AS/ST/SC	1900x1200x310	132 l	197 l	S6S-S5S 1200/320	SXZ6530	○

1115-785 1900x470

suitable for cabinet WxD

DIN 2-1 and ÖNORM F6-F5
Combined ground-mounted base, assembled with strain relief and construction site power openings

Variants	Features	External dimensions WxHxD	Base filler (qty.)		Type	Order no.	
			HP 20 cm ¹	BT 30 cm ¹		RAL 7032	RAL 7035
H 950	AS/ST/ST	1895x950x459	195 l	290 l	S6-S5 950/470	SXZ654710	○
H 1200	○	1895x1200x459	195 l	290 l	S6-S5 1200/470	●	○
H 1200S	○	1895x1200x459	195 l	290 l	S6S-S5S 1200/470	●	○

Accessories

Accessories for bases

Page 114

Dimensional Drawings

¹¹¹⁵⁻⁷⁸⁵
W 1900

Page A57

Strain relief: AS - anchoring rail, WP - angle section
Construction site power openings: ST - sealing plugs, SC - slide cover

¹ recommended filling height (HP - hydrophobic, BT - expanded clay)
² with additional plate (2 pieces for back and front) 250 mm height



Bases for distribution cabinets

Fixed base for distributor installation at floor/ground level

Floor-mounted bases from ELSTA Mosdorfer are used as the foundation for freestanding distribution cabinets on existing foundations. They are used in areas where a foundation already exists or embedding is not possible.

Stable base-unit with high weather resistance

The polyester floor-mounted bases from ELSTA Mosdorfer are secured to a suitable concrete surface. When fully installed, they form a stable unit with the freestanding distribution cabinet. The short bases are used, for example, on pavements, car parks or even in indoor applications as cable space. Like the ELSTA cabinet, the ELSTA base is made of hot-pressed, glass fiber-reinforced polyester and has good UV- and weather resistance is highly resistant to chemicals.

Design / Characteristics

- base consisting of two side parts, a rear wall and front plates
- installation on a suitable foundation with a horizontal, almost flat surface (concrete foundation)
- strain relief rail (anchoring rail or angle section) for cable attachment by means of clamps
- material: hot-pressed, glass fibre reinforced thermoset composites, based on unsaturated polyester resin, solid colored and halogen-free
- corrosion-resistant material for all metal parts

Standard Design

- versions with height of 250 mm, 500 mm and 750 mm
- available as single or combination base
- colors RAL 7032 or RAL 7035
- strain relief rail (anchor rail or angle section)
- side parts with construction site power openings (both sides with sealing plugs)
- delivered fully assembled

Special Design

- painted in other RAL colors
- fairground bases from a height of 500 mm for temporary connection of cables and lines with closed cabinet doors (e.g. at marketplaces or event sites)
- variants for the installation of metal distribution cabinets

Technical Specifications

chemical durability	
halogen-free	yes
termite proof	yes
resistant against:	acids: 10% hydrochloric acid, 10% sulfuric acid, 10%, acetic acid salts: sodium/calcium chloride, de-icing salts, brine further: oil, alcohol, bituminous materials, acidic and basic reactants in the soil, urine

Standards / Directives

- cabinet mounting dimensions in accordance with DIN 43629-2 and ÖNORM E 4382 (special sizes are created based on these standards)
- RoHS Directive (EU) 2015/863 (extension to directive 2011/65/EU)
- REACH Regulation (EC) no. 1907/2006 - last update see www.elsta.com/downloads

ATTENTION!

The total height of the base and cabinet ~ 2000 mm must not be exceeded in order to comply with the required load limits of freestanding outdoor cabinets.

A must-have for this is a correctly executed concrete foundation and the correct fastening of the base on the foundation.

Maximum possible combinations:

- single cabinet: H 1350 with floor-mounting base H 500
- cabinet combination DH: H 1850 (1080-850 or 850-1080) with floor-mounting base H 250
- floor mounting bases H 750 are only permissible in connection with cabinet height \leq H 1080
- base extensions are only permissible if the cabinet height is \leq H 1080

Assembly Instruction

The floor-mounting base must be installed on a suitable foundation.

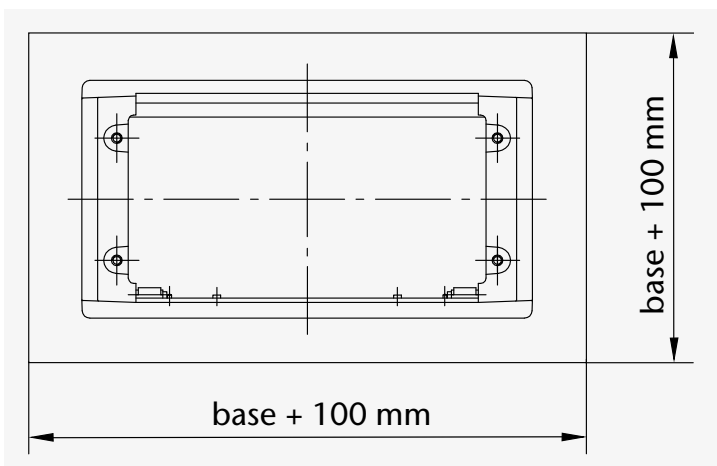
To ensure maximum stability of the cabinet against stresses such as wind load or vandalism, the concrete foundation must be executed correctly.

SUITABLE INSTALLATION LOCATION

Floor-mounting bases are recommended only for sheltered installation (for example next to a wall), especially for cabinets with a height of \geq 1350 mm. In case of unprotected installation (full wind load) preferably use ground-mounted bases or cabinets with a height of $<$ 1350 mm (e.g. DB or Kombi)!

more on
www.elsta.com/downloads

FOUNDATION



- The surface of the foundation should be approximately flat and as horizontal as possible.
- Note the concrete quality and sufficient reinforcement!
- Use suitable fixing material!
- Note the anchoring depth and the pull-out force of the screw connection!

BASES FOR DISTRIBUTION CABINETS

BASES FOR FLOOR-MOUNTING

440x200

suitable for cabinet WxD

ÖNORM F3/1

Floor-mounted base, assembled with strain relief and construction site power openings

Variants	Features	External dimensions		Type	Order no.	
		WxHxD			RAL 7032	RAL 7035
H 250	AS/ST/ST	420x278x180		SB3 250/180	1414	○
H 500	AS/ST/ST	420x528x180		SB3 500/180	1415	○

440x250

suitable for cabinet WxD

ÖNORM F3/1

Floor-mounted base, assembled with strain relief and construction site power openings

Variants	Features	External dimensions		Type	Order no.	
		WxHxD			RAL 7032	RAL 7035
H 250	AS/ST/ST	420x278x239		SB3/1 250/250	1472	○
H 500	AS/ST/ST	420x528x239		SB3/1 500/250	1473	○

440x320

suitable for cabinet WxD

ÖNORM F3/1

Floor-mounted base, assembled with strain relief and construction site power openings

Variants	Features	External dimensions		Type	Order no.	
		WxHxD			RAL 7032	RAL 7035
H 250	AS/ST/ST	420x278x311		SB3/1 250/320	1416	○
H 500	AS/ST/ST	420x528x311		SB3/1 500/320	1417	○
H 750	AS/ST/ST	420x778x311		SB3/1 750/320*	1429	○

*Floor-mounted bases H 750 are only permissible in connection with cabinet height ≤ H 1080.

Accessories

Accessories
for bases

Page 114

Dimensional Drawings

W 440

Page A58

Strain relief: AS - anchoring rail, WP - angle section
Construction site power openings: ST - sealing plugs, SC - slide cover

460x320

suitable for cabinet WxD

DIN 00

Floor-mounted base, assembled with strain relief and construction site power openings

Variants	Features	External dimensions		Type	Order no.	
		WxD	HxD		RAL 7032	RAL 7035
H 250	AS/ST/ST	450x278x311	320	SB X00 250/320	○	2200.1
H 250	WP/ST/ST	450x278x311	320	SB X00 250/320	○	10025764
H 500	AS/ST/ST	450x528x311	320	SB X00 500/320	○	2210.1
H 500	WP/ST/ST	450x528x311	320	SB X00 500/320	○	10025766

Accessories

Accessories for bases

Page 114

Dimensional Drawings

W 460

Page A59

Strain relief: AS - anchoring rail, WP - angle section
Construction site power openings: ST - sealing plugs, SC - slide cover

BASES FOR DISTRIBUTION CABINETS

BASES FOR FLOOR-MOUNTING

590x250

suitable for cabinet WxD

DIN 0 and ÖNORM F4

Floor-mounted base, assembled with strain relief and construction site power openings

Variants	Features	External dimensions		Type	Order no.	
		W	HxD		RAL 7032	RAL 7035
H 250	AS/ST/ST	585	278x239	SB4 250/250	1474	1474.1
H 500	AS/ST/ST	585	528x239	SB4 500/250	1475	1475.1

590x320

suitable for cabinet WxD

DIN 0 and ÖNORM F4

Floor-mounted base, assembled with strain relief and construction site power openings

Variants	Features	External dimensions		Type	Order no.	
		W	HxD		RAL 7032	RAL 7035
H 250	AS/ST/ST	585	278x311	SB4 250/320	1418	1418.1
H 250	WP/ST/ST	585	278x311	SB4 250/320	10026746	10025767
H 500	AS/ST/ST	585	528x311	SB4 500/320	1420	1420.1
H 500	WP/ST/ST	585	528x311	SB4 500/320	10026750	10025768
H 750	AS/ST/ST	585	778x311	SB4 750/320*	1430	●

*Floor-mounted bases H 750 are only permissible in connection with cabinet height ≤ H 1080.

590x412

suitable for cabinet WxD

DIN 0 and ÖNORM F4

Floor-mounted base, assembled with strain relief and construction site power openings

Variants	Features	External dimensions		Type	Order no.	
		W	HxD		RAL 7032	RAL 7035
H 250	WP/ST/ST	585	278x400	SB4 250/412	○	3736.1
H 500	WP/ST/ST	585	528x400	SB4 500/412	○	3737.1

Strain relief: AS - anchoring rail, WP - angle section
Construction site power openings: ST - sealing plugs, SC - slide cover

590x470

suitable for cabinet WxD

DIN 0 and ÖNORM F4

Floor-mounted base, assembled with strain relief and construction site power openings

Variants	Features	External dimensions		Type	Order no.	
		WxHxD			RAL 7032	RAL 7035
H 250	AS/ST/ST	585x278x459		SB4 250/470	2709	2709.1
H 250	WP/ST/ST	585x278x459		SB4 250/470	10037188	10050720
H 500	AS/ST/ST	585x528x459		SB4 500/470	2710	2710.1
H 500	WP/ST/ST	585x528x459		SB4 500/470	●	10050721

590x635

suitable for cabinet WxD

DIN 0 and ÖNORM F4

Floor-mounted base, assembled with strain relief and construction site power openings

Variants	Features	External dimensions		Type	Order no.	
		WxHxD			RAL 7032	RAL 7035
H 250	AS/ST/ST	585x278x624		SB4 250/635	2711	●
H 500	AS/ST/ST	585x528x624		SB4 500/635	2713	●

Accessories

Accessories
for bases

Dimensional Drawings

W 590

Page 114

Page A59

Strain relief: AS - anchoring rail, WP - angle section
Construction site power openings: ST - sealing plugs, SC - slide cover

BASES FOR DISTRIBUTION CABINETS

BASES FOR FLOOR-MOUNTING

785x250

suitable for cabinet WxD

DIN 1 and ÖNORM F5

Floor-mounted base, assembled with strain relief and construction site power openings

Variants	Features	External dimensions		Type	Order no.	
		W	HxD		RAL 7032	RAL 7035
H 250	AS/ST/ST	780	278x239	SB5 250/250	1476	1476.1
H 500	AS/ST/ST	780	528x239	SB5 500/250	1477	1477.1

785x320

suitable for cabinet WxD

DIN 1 and ÖNORM F5

Floor-mounted base, assembled with strain relief and construction site power openings

Variants	Features	External dimensions		Type	Order no.	
		W	HxD		RAL 7032	RAL 7035
H 250	AS/ST/ST	780	278x311	SB5 250/320	1421	1421.1
H 250	WP/ST/ST	780	278x311	SB5 250/320	10026747	10025769
H 500	AS/ST/ST	780	528x311	SB5 500/320	1422	1422.1
H 500	WP/ST/ST	780	528x311	SB5 500/320	10026751	10025770
H 750	AS/ST/ST	780	778x311	SB5 750/320	1431	●

*Floor-mounted bases H 750 are only permissible in connection with cabinet height ≤ H 1080.

785x412

suitable for cabinet WxD

DIN 1 and ÖNORM F5

Floor-mounted base, assembled with strain relief and construction site power openings

Variants	Features	External dimensions		Type	Order no.	
		W	HxD		RAL 7032	RAL 7035
H 250	WP/ST/ST	780	278x400	SB5 250/412	○	3738.1
H 500	WP/ST/ST	780	528x400	SB5 500/412	○	3739.1

Strain relief: AS - anchoring rail, WP - angle section
Construction site power openings: ST - sealing plugs, SC - slide cover

785x470

suitable for cabinet WxD

DIN 1 and ÖNORM F5
Floor-mounted base, assembled with strain relief and construction site power openings

Variants	Features	External dimensions		Type	Order no.	
		WxD	HxD		RAL 7032	RAL 7035
H 250	AS/ST/ST	780x278x459		SB5 250/470	2333	●
H 250	WP/ST/ST	780x278x459		SB5 250/470	10030416	10050382
H 500	AS/ST/ST	780x528x459		SB5 500/470	2527	2527.1
H 500	WP/ST/ST	780x528x459		SB5 500/470	10037791	10050722

785x635

suitable for cabinet WxD

DIN 1 and ÖNORM F5
Floor-mounted base, assembled with strain relief and construction site power openings

Variants	Features	External dimensions		Type	Order no.	
		WxD	HxD		RAL 7032	RAL 7035
H 250	AS/ST/ST	780x278x624		SB5 250/635	2714	●
H 500	AS/ST/ST	780x528x624		SB5 500/635	2715	●

Accessories

Accessories for bases

Dimensional Drawings

W 785

Page 114

Page A62

Strain relief: AS - anchoring rail, WP - angle section
Construction site power openings: ST - sealing plugs, SC - slide cover

1115x320

suitable for cabinet WxD

DIN 2 and ÖNORM F6
 Floor-mounted base, assembled with strain relief and construction site power openings

Variants	Features	External dimensions		Type	Order no.	
		W	HxD		RAL 7032	RAL 7035
H 250	AS/ST/ST	1110	278x311	SB6 250/320	1423	1423.1
H 250	WP/ST/ST	1110	278x311	SB6 250/320	10026748	10025771
H 500	AS/ST/ST	1110	528x311	SB6 500/320	1425	1425.1
H 500	WP/ST/ST	1110	528x311	SB6 500/320	10026752	10025772
H 750	AS/ST/ST	1110	778x311	SB6 750/320	1432	●

*Floor-mounted bases H 750 are only permissible in connection with cabinet height ≤ H 1080.

1115x412

suitable for cabinet WxD

DIN 2 and ÖNORM F6
 Floor-mounted base, assembled with strain relief and construction site power openings

Variants	Features	External dimensions		Type	Order no.	
		W	HxD		RAL 7032	RAL 7035
H 250	WP/ST/ST	1110	278x400	SB6 250/412	○	3740.1
H 500	WP/ST/ST	1110	528x400	SB6 500/412	○	3741.1

1115x470

suitable for cabinet WxD

DIN 2 and ÖNORM F6
 Floor-mounted base, assembled with strain relief and construction site power openings

Variants	Features	External dimensions		Type	Order no.	
		W	HxD		RAL 7032	RAL 7035
H 250	AS/ST/ST	1110	278x459	SB6 250/470	2183	●
H 250	WP/ST/ST	1110	278x459	SB6 250/470	10032513	10050553
H 500	AS/ST/ST	1110	528x459	SB6 500/470	1407	●
H 500	WP/ST/ST	1110	528x459	SB6 500/470	10034198	10050713

1115x635

suitable for cabinet WxD

DIN 2 and ÖNORM F6
 Floor-mounted base, assembled with strain relief and construction site power openings

Variants	Features	External dimensions		Type	Order no.	
		W	HxD		RAL 7032	RAL 7035
H 250	AS/ST/ST	1110	278x624	SB6 250/635	2716	2716.1
H 500	AS/ST/ST	1110	528x624	SB6 500/635	2717	●

Accessories

Accessories
for bases

Page 114

Dimensional Drawings

W 1115

Page A64

Strain relief: AS - anchoring rail, WP - angle section
 Construction site power openings: ST - sealing plugs, SC - slide cover

1445x320

suitable for cabinet WxD

DIN 3
Floor-mounted base, assembled with strain relief and construction site power openings

Variants	Features	External dimensions		Type	Order no.	
		WxHxD			RAL 7032	RAL 7035
H 250	AS/ST/ST	1440x278x311		SB X3 250/320	o	2998.1
H 250	WP/ST/ST	1440x278x311		SB X3 250/320	o	10039517
H 500	AS/ST/ST	1440x528x311		SB X3 500/320	o	2999.1
H 500	WP/ST/ST	1440x528x311		SB X3 500/320	o	10038030

1445x412

suitable for cabinet WxD

DIN 3
Floor-mounted base, assembled with strain relief and construction site power openings

Variants	Features	External dimensions		Type	Order no.	
		WxHxD			RAL 7032	RAL 7035
H 250	WP/ST/ST	1440x278x400		SB X3 250/412	o	3742.1
H 500	WP/ST/ST	1440x528x400		SB X3 500/412	o	3743.1

1445x470

suitable for cabinet WxD

DIN 3
Floor-mounted base, assembled with strain relief and construction site power openings

Variants	Features	External dimensions		Type	Order no.	
		WxHxD			RAL 7032	RAL 7035
H 250	AS/ST/ST	1440x278x459		SB X3 250/470	o	3114
H 250	WP/ST/ST	1440x278x459		SB X3 250/470	o	10050554
H 500	AS/ST/ST	1440x528x459		SB X3 500/470	o	3245
H 500	WP/ST/ST	1440x528x459		SB X3 500/470	o	10050723

1445x635

suitable for cabinet WxD

DIN 3
Floor-mounted base, assembled with strain relief and construction site power openings

Variants	Features	External dimensions		Type	Order no.	
		WxHxD			RAL 7032	RAL 7035
H 250	WP/ST/ST	1440x278x624		SB X3 250/635	o	3744
H 500	WP/ST/ST	1440x528x624		SB X3 500/635	o	3371

Accessories

Accessories for bases

Page 114

Dimensional Drawings

W 1445

Page A66

Bases for distribution cabinets

Strain relief: AS - anchoring rail, WP - angle section
Construction site power openings: ST - sealing plugs, SC - slide cover

440-440 880x320

suitable for cabinet WxD

ÖNORM F3/1-F3/1

Combined floor-mounted base, assembled with strain relief and construction site power openings

Variants	Features	External dimensions WxHxD	Type	Order no.	
				RAL 7032	RAL 7035
H 250	○	865x278x311	SBK 3/1-3/1 250/320	○	○
H 500	○	865x528x311	SBK 3/1-3/1 500/320	○	○

Accessories

Accessories for bases

Page 114

440-590 1030x320

suitable for cabinet WxD

ÖNORM F3/1-F4

Combined floor-mounted base, assembled with strain relief and construction site power openings

Variants	Features	External dimensions WxHxD	Type	Order no.	
				RAL 7032	RAL 7035
H 250	AS/ST/ST	1020x278x311	SBK 3/1-4 250/320	3746	○
H 500	AS/ST/ST	1020x528x311	SBK 3/1-4 500/320	3747	○

590-440 1030x320

suitable for cabinet WxD

ÖNORM F4-F3/1

Combined floor-mounted base, assembled with strain relief and construction site power openings

Variants	Features	External dimensions WxHxD	Type	Order no.	
				RAL 7032	RAL 7035
H 250	AS/ST/ST	1020x278x311	SBK 4-3/1 250/320	3129	○
H 500	AS/ST/ST	1020x528x311	SBK 4-3/1 500/320	3745	○

Accessories

Accessories for bases

Page 114

Dimensional Drawings

⁴⁴⁰⁻⁵⁹⁰
W 1030

Page A69

⁵⁹⁰⁻⁴⁴⁰
W 1030

Page A69

Strain relief: AS - anchoring rail, WP - angle section
Construction site power openings: ST - sealing plugs, SC - slide cover

590-590
1180x320
suitable for cabinet WxD

DIN 0-0 and ÖNORM F4-F4
Combined floor-mounted base, assembled with strain relief and construction site power openings

Variants	Features	External dimensions WxHxD	Type	Order no.	
				RAL 7032	RAL 7035
H 250	AS/ST/ST	1175x278x311	SBK 4-4 250/320	2143	○
H 500	AS/ST/ST	1175x528x311	SBK 4-4 500/320	2643	○

Accessories

Accessories for bases

Page 114

Dimensional Drawings

⁵⁹⁰⁻⁵⁹⁰
W 1180

Page A70

Bases for distribution cabinets

440-785
1225x320
suitable for cabinet WxD

ÖNORM F3/1-F5
Combined floor-mounted base, assembled with strain relief and construction site power openings

Variants	Features	External dimensions WxHxD	Type	Order no.	
				RAL 7032	RAL 7035
H 250	AS/ST/ST	1215x278x311	SBK 3/1-5 250/320	3748	○
H 500	AS/ST/ST	1215x528x311	SBK 3/1-5 500/320	3749	○

785-440
1225x320
suitable for cabinet WxD

ÖNORM F5-F3/1
Combined floor-mounted base, assembled with strain relief and construction site power openings

Variants	Features	External dimensions WxHxD	Type	Order no.	
				RAL 7032	RAL 7035
H 250	AS/ST/ST	1215x278x311	SBK 5-3/1 250/320	2707	○
H 500	AS/ST/ST	1215x528x311	SBK 5-3/1 500/320	3750	○

Accessories

Accessories for bases

Page 114

Dimensional Drawings

⁴⁴⁰⁻⁷⁸⁵
W 1225

Page A70

⁷⁸⁵⁻⁴⁴⁰
W 1225

Page A71

Strain relief: AS - anchoring rail, WP - angle section
Construction site power openings: ST - sealing plugs, SC - slide cover

BASES FOR DISTRIBUTION CABINETS

BASES FOR FLOOR-MOUNTING | COMBINATIONS

590-785
1375x320
suitable for cabinet WxD

DIN 0-1 and ÖNORM F4-F5
Combined floor-mounted base, assembled with strain relief and construction site power openings

Variants	Features	External dimensions WxHxD	Type	Order no.	
				RAL 7032	RAL 7035
H 250	AS/ST/ST	1370x278x311	SBK 4-5 250/320	2142	○
H 500	AS/ST/ST	1370x528x311	SBK 4-5 500/320	2167	○

590-785
1375x470
suitable for cabinet WxD

DIN 0-1 and ÖNORM F4-F5
Combined floor-mounted base, assembled with strain relief and construction site power openings

Variants	Features	External dimensions WxHxD	Type	Order no.	
				RAL 7032	RAL 7035
H 250	AS/ST/ST	1370x278x459	SBK 4-5 250/470	3751	○
H 500	AS/ST/ST	1370x528x459	SBK 4-5 500/470	3752	○

785-590
1375x320
suitable for cabinet WxD

DIN 1-0 and ÖNORM F5-F4
Combined floor-mounted base, assembled with strain relief and construction site power openings

Variants	Features	External dimensions WxHxD	Type	Order no.	
				RAL 7032	RAL 7035
H 250	AS/ST/ST	1370x278x311	SBK 5-4 250/320	2141	○
H 500	AS/ST/ST	1370x528x311	SBK 5-4 500/320	2799	○

785-590
1375x470
suitable for cabinet WxD

DIN 1-0 and ÖNORM F5-F4
Combined floor-mounted base, assembled with strain relief and construction site power openings

Variants	Features	External dimensions WxHxD	Type	Order no.	
				RAL 7032	RAL 7035
H 250	AS/ST/ST	1370x278x459	SBK 5-4 250/470	3353	○
H 500	AS/ST/ST	1370x528x459	SBK 5-4 500/470	3753	○

Accessories

Accessories for bases

Page 114

Dimensional Drawings

⁵⁹⁰⁻⁷⁸⁵
W 1375

Page A71

⁷⁸⁵⁻⁵⁹⁰
W 1375

Page A72

Strain relief: AS - anchoring rail, WP - angle section
Construction site power openings: ST - sealing plugs, SC - slide cover

785-785
1570x320
 suitable for cabinet WxD

DIN 1-1 and ÖNORM F5-F5
 Combined floor-mounted base, assembled with strain relief and construction site power openings

Variants	Features	External dimensions WxHxD	Type	Order no.	
				RAL 7032	RAL 7035
H 250	AS/ST/ST	1565x278x311	SBK 5-5 250/320	2144	○
H 500	AS/ST/ST	1565x528x311	SBK 5-5 500/320	2260	○

785-785
1570x470
 suitable for cabinet WxD

DIN 1-1 and ÖNORM F5-F5
 Combined floor-mounted base, assembled with strain relief and construction site power openings

Variants	Features	External dimensions WxHxD	Type	Order no.	
				RAL 7032	RAL 7035
H 250	AS/ST/ST	1565x278x459	SBK 5-5 250/470	3132	○
H 500	AS/ST/ST	1565x528x459	SBK 5-5 500/470	3075	○

Accessories

Accessories
for bases

Page 114

Dimensional Drawings

⁷⁸⁵⁻⁷⁸⁵
W 1570

Page A73

Bases for distribution cabinets

Strain relief: AS - anchoring rail, WP - angle section
 Construction site power openings: ST - sealing plugs, SC - slide cover

BASES FOR DISTRIBUTION CABINETS

BASES FOR FLOOR-MOUNTING | COMBINATIONS

590-1115 1705x320

suitable for cabinet WxD

DIN 0-2 and ÖNORM F4-F6
Combined floor-mounted base, assembled with strain relief and construction site power openings

Variants	Features	External dimensions WxHxD	Type	Order no.	
				RAL 7032	RAL 7035
H 250	AS/ST/ST	1700x278x311	SBK 4-6 250/320	3115	○
H 500	AS/ST/ST	1700x528x311	SBK 4-6 500/320	3119	○

590-1115 1705x470

suitable for cabinet WxD

DIN 0-2 and ÖNORM F4-F6
Combined floor-mounted base, assembled with strain relief and construction site power openings

Variants	Features	External dimensions WxHxD	Type	Order no.	
				RAL 7032	RAL 7035
H 250	AS/ST/ST	1700x278x459	SBK 4-6 250/470	3754	○
H 500	AS/ST/ST	1700x528x459	SBK 4-6 500/470	3755	○

1115-590 1705x320

suitable for cabinet WxD

DIN 2-0 and ÖNORM F6-F4
Combined floor-mounted base, assembled with strain relief and construction site power openings

Variants	Features	External dimensions WxHxD	Type	Order no.	
				RAL 7032	RAL 7035
H 250	AS/ST/ST	1700x278x311	SBK 6-4 250/320	3116	○
H 500	AS/ST/ST	1700x528x311	SBK 6-4 500/320	3108	○

1115-590 1705x470

suitable for cabinet WxD

DIN 2-0 and ÖNORM F6-F4
Combined floor-mounted base, assembled with strain relief and construction site power openings

Variants	Features	External dimensions WxHxD	Type	Order no.	
				RAL 7032	RAL 7035
H 250	AS/ST/ST	1700x278x459	SBK 6-4 250/470	3123	○
H 500	AS/ST/ST	1700x528x459	SBK 6-4 500/470	3110	○

Accessories

Accessories
for bases

Dimensional Drawings

590-1115
W 1705

1115-590
W 1705

Page 114

Page A74

Page A75

Strain relief: AS - anchoring rail, WP - angle section
Construction site power openings: ST - sealing plugs, SC - slide cover

785-1115 1900x320

suitable for cabinet WxD

DIN 1-2 and ÖNORM F5-F6
Combined floor-mounted base, assembled with strain relief and construction site power openings

Variants	Features	External dimensions WxHxD	Type	Order no.	
				RAL 7032	RAL 7035
H 250	AS/ST/ST	1895x278x311	SBK 5-6 250/320	3117	○
H 500	AS/ST/ST	1895x528x311	SBK 5-6 500/320	3120	○

785-1115 1900x470

suitable for cabinet WxD

DIN 1-2 and ÖNORM F5-F6
Combined floor-mounted base, assembled with strain relief and construction site power openings

Variants	Features	External dimensions WxHxD	Type	Order no.	
				RAL 7032	RAL 7035
H 250	AS/ST/ST	1895x278x459	SBK 5-6 250/470	3756	○
H 500	AS/ST/ST	1895x528x459	SBK 5-6 500/470	3757	○

1115-785 1900x320

suitable for cabinet WxD

DIN 2-1 and ÖNORM F6-F5
Combined floor-mounted base, assembled with strain relief and construction site power openings

Variants	Features	External dimensions WxHxD	Type	Order no.	
				RAL 7032	RAL 7035
H 250	AS/ST/ST	1895x278x311	SBK 6-5 250/320	3118	○
H 500	AS/ST/ST	1895x528x311	SBK 6-5 500/320	3121	○

1115-785 1900x470

suitable for cabinet WxD

DIN 2-1 and ÖNORM F6-F5
Combined floor-mounted base, assembled with strain relief and construction site power openings

Variants	Features	External dimensions WxHxD	Type	Order no.	
				RAL 7032	RAL 7035
H 250	AS/ST/ST	1895x278x459	SBK 6-5 250/470	3758	○
H 500	AS/ST/ST	1895x528x459	SBK 6-5 500/470	3759	○

Accessories

Accessories for bases

Page 114

Dimensional Drawings

785-1115
W 1900

Page A76

1115-785
W 1900

Page A77

Strain relief: AS - anchoring rail, WP - angle section
Construction site power openings: ST - sealing plugs, SC - slide cover



Bases for distribution cabinets

Gain additional height

With the ELSTA Mosdorfer base extensions, the cabinet connection area is increased upwards for ground-mounted or floor-mounted bases.

Tailor-made extension for existing bases

The polyester base extensions from ELSTA Mosdorfer can be accurately placed on top of a ground-mounted or floor-mounted base, thus extending the area from the floor/ground level. Base extensions are used, for example, in flood areas, on steep slopes or to subsequently raise the bottom edge of the distributor (bottom edge of meters). The material has good UV and weather resistance to match the existing bases, and is highly resistant to chemicals.

Design / Characteristics

- base extension consisting of two side parts, a rear wall and front plates
- mounting on top of existing ground-mounted or floor-mounted base
- material: hot-pressed, glass fibre reinforced thermoset composites, based on unsaturated polyester resin, solid colored and halogen-free
- corrosion-resistant material for all metal parts

Standard Design

- height of 250 mm or 500 mm
- colors RAL 7032 or RAL 7035
- side parts with construction site power openings (both sides with sealing plugs)
- delivered fully assembled

Special Design

- painted in other RAL colors

Technical Specifications

chemical durability	
halogen-free	yes
termite proof	yes
resistant against:	acids: 10% hydrochloric acid, 10% sulfuric acid, 10%, acetic acid salts: sodium/calcium chloride, de-icing salts, brine further: oil, alcohol, bituminous materials, acidic and basic reactants in the soil, urine

Standards / Directives

- cabinet mounting dimensions in accordance with DIN 43629-2 and ÖNORM E 4382 (special sizes are created based on these standards)
- RoHS Directive (EU) 2015/863 (extension to directive 2011/65/EU)
- REACH Regulation (EC) no. 1907/2006 - last update see www.elsta.com/downloads

ATTENTION!

The total height of the base and cabinet of approx. 2000 mm must not be exceeded in order to comply with the required load limits of freestanding outdoor cabinets.

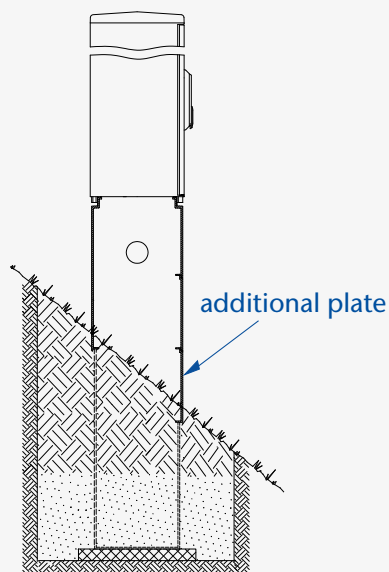
Base extensions are generally only permitted if the cabinet height is $\leq H 1080$.

Assembly Instruction

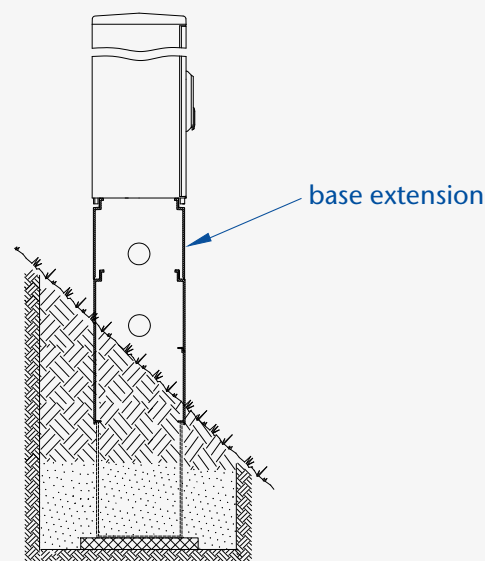
If the base is mounted on steep slopes or embankments, make sure that the base is dug in deep enough and that it is completely closed.

- If a base is installed on a steep slope, a ground-mounted base with a height of 1200 mm is recommended in order to allow a suitable digging depth.
- The base has also to be mounted on a sufficient foundation.
- An additional plate may be required, so that the base can be closed all around (see accessories for bases).
- With the help of a base extension, the height of a base can be increased.

**base H = 1200
with additional plate**



**base H = 950
with base extension**



more on
www.elsta.com/downloads

440x200

suitable for cabinet WxD

ÖNORM F3/1

Base extensions, assembled with construction site power openings

Variants	Features	External dimensions		Type	Order no.	
		WxHxD			RAL 7032	RAL 7035
H 250	ST/ST	420x306x181		SV3 250/180	1399	○
H 500	ST/ST	420x528x181		SV3 500/180	1400	○

440x250

suitable for cabinet WxD

ÖNORM F3/1

Base extensions, assembled with construction site power openings

Variants	Features	External dimensions		Type	Order no.	
		WxHxD			RAL 7032	RAL 7035
H 250	ST/ST	420x278x239		SV3/1 250/250	1466	○
H 500	ST/ST	420x528x239		SV3/1 500/250	1467	○

440x320

suitable for cabinet WxD

ÖNORM F3/1

Base extensions, assembled with construction site power openings

Variants	Features	External dimensions		Type	Order no.	
		WxHxD			RAL 7032	RAL 7035
H 250	ST/ST	420x306x311		SV3/1 250/320	1408	○
H 500	ST/ST	420x528x311		SV3/1 500/320	1409	○

460x320

suitable for cabinet WxD

DIN 00

Base extensions, assembled with construction site power openings

Variants	Features	External dimensions		Type	Order no.	
		WxHxD			RAL 7032	RAL 7035
H 250	ST/ST	450x306x311		SV X00 250/320	○	2943
H 500	ST/ST	450x528x311		SV X00 500/320	○	2939

Dimensional Drawings

W 440

W 460

Page A79

Page A80

Strain relief: AS - anchoring rail, WP - angle section
Construction site power openings: ST - sealing plugs, SC - slide cover

590x250

suitable for cabinet WxD

DIN 0 and ÖNORM F4
Base extensions, assembled with construction site power openings

Variants	Features	External dimensions		Type	Order no.	
		W	HxD		RAL 7032	RAL 7035
H 250	ST/ST	585	278x239	SV4 250/250	1468	1468.1
H 500	ST/ST	585	528x239	SV4 500/250	1469	1469.1

590x320

suitable for cabinet WxD

DIN 0 and ÖNORM F4
Base extensions, assembled with construction site power openings

Variants	Features	External dimensions		Type	Order no.	
		W	HxD		RAL 7032	RAL 7035
H 250	ST/ST	585	306x311	SV4 250/320	1401	1401.1
H 500	ST/ST	585	528x311	SV4 500/320	1402	1402.1

590x470

suitable for cabinet WxD

DIN 0 and ÖNORM F4
Base extensions, assembled with construction site power openings

Variants	Features	External dimensions		Type	Order no.	
		W	HxD		RAL 7032	RAL 7035
H 250	ST/ST	585	278x459	SV4 250/470	3352	10050724
H 500	ST/ST	585	528x459	SV4 500/470	10050847	10050727

Dimensional Drawings

W 590

Page A81

Strain relief: AS - anchoring rail, WP - angle section
Construction site power openings: ST - sealing plugs, SC - slide cover

785x250

suitable for cabinet WxD

DIN 1 and ÖNORM F5
Base extensions, assembled with construction site power openings

Variants	Features	External dimensions		Type	Order no.	
		WxHxD			RAL 7032	RAL 7035
H 250	ST/ST	780x278x239		SV5 250/250	1470	1470.1
H 500	ST/ST	780x528x239		SV5 500/250	1471	1471.1

785x320

suitable for cabinet WxD

DIN 1 and ÖNORM F5
Base extensions, assembled with construction site power openings

Variants	Features	External dimensions		Type	Order no.	
		WxHxD			RAL 7032	RAL 7035
H 250	ST/ST	780x306x311		SV5 250/320	1410	1410.1
H 500	ST/ST	780x528x311		SV5 500/320	1411	1411.1

785x470

suitable for cabinet WxD

DIN 1 and ÖNORM F5
Base extensions, assembled with construction site power openings

Variants	Features	External dimensions		Type	Order no.	
		WxHxD			RAL 7032	RAL 7035
H 250	ST/ST	780x278x459		SV5 250/470	3351	10050684
H 500	ST/ST	780x528x459		SV5 500/470	10050848	10050728

Dimensional Drawings

W 785

Page A83

Strain relief: AS - anchoring rail, WP - angle section
Construction site power openings: ST - sealing plugs, SC - slide cover

1115x320

suitable for cabinet WxD

DIN 2 and ÖNORM F6
Base extensions, assembled with construction site power openings

Variants	Features	External dimensions		Type	Order no.	
		WxHxD			RAL 7032	RAL 7035
H 250	ST/ST	1110x306x311		SV6 250/320	1412	1412.1
H 500	ST/ST	1110x528x311		SV6 500/320	1413	1413.1

1115x470

suitable for cabinet WxD

DIN 2 and ÖNORM F6
Base extensions, assembled with construction site power openings

Variants	Features	External dimensions		Type	Order no.	
		WxHxD			RAL 7032	RAL 7035
H 250	ST/ST	1110x278x459		SV6 250/470	3007	10050725
H 500	ST/ST	1110x528x459		SV6 500/470	3165	10050729

1445x320

suitable for cabinet WxD

DIN 3
Base extensions, assembled with construction site power openings

Variants	Features	External dimensions		Type	Order no.	
		WxHxD			RAL 7032	RAL 7035
H 250	ST/ST	1440x278x311		SV X3 250/320	o	3003
H 500	ST/ST	1440x528x311		SV X3 500/320	o	10038384

1445x470

suitable for cabinet WxD

DIN 3
Base extensions, assembled with construction site power openings

Variants	Features	External dimensions		Type	Order no.	
		WxHxD			RAL 7032	RAL 7035
H 250	ST/ST	1440x278x459		SV X3 250/470	o	10050726
H 500	ST/ST	1440x528x459		SV X3 500/470	o	10050730

Dimensional Drawings

W 1115	W 1445
Page A85	Page A86

Strain relief: AS - anchoring rail, WP - angle section
Construction site power openings: ST - sealing plugs, SC - slide cover



Bases for
distribution cabinets

temporary cable entry with safety aspect

The ideal solution from ELSTA Mosdorfer for temporary cable outlets with closed cabinet doors, for example for marketplace distributors, power outlet distribution cabinets or for campsite cabinets.

Connection of cables and wires with closed cabinet door

The polyester base from ELSTA Mosdorfer in the fairground version is available as ground-mounted base and as floor-mounted base. A strain-relieved cable entry is possible via a swiveling front plate. This means that no door cutout is necessary and the base can be securely closed from the inside after use. The material is good UV and weather resistant and extremely resistant to chemicals.

Design / Characteristics

- base consisting of two side parts, a rear wall and front plates
- For the connection of outgoing cables, the upper front panel is either designed as a flap or fitted with sliders.
- Ground-mounted bases are digged into the ground to a defined depth.
- Floor-mounting bases are installed on a suitable foundation with a horizontal, almost flat surface.
- strain relief rail (anchor rail or angle section)
- material: hot-pressed, glass fibre reinforced thermoset composites, based on unsaturated polyester resin, solid colored and halogen-free
- corrosion-resistant material for all metal parts

Standard Design

- ground-mounted bases: heights of 950 mm or 1200 mm
- floor-mounted bases: height of 500 mm
- colors RAL 7032 or RAL 7035
- strain relief rail (anchor rail or angle section)
- delivered fully assembled

Special Design

- combined ground- or floor-mounted bases in fairground version

Technical Specifications

chemical durability	
halogen-free	yes
termite proof	yes
resistant against:	acids: 10% hydrochloric acid, 10% sulfuric acid, 10%, acetic acid salts: sodium/calcium chloride, de-icing salts, brine further: oil, alcohol, bituminous materials, acidic and basic reactants in the soil, urine

Standards / Directives

- cabinet mounting dimensions in accordance with DIN 43629-2 and ÖNORM E 4382 (special sizes are created based on these standards)
- RoHS Directive (EU) 2015/863 (extension to directive 2011/65/EU)
- REACH Regulation (EC) no. 1907/2006 - last update see www.elsta.com/downloads

Examples



*marketplace distributor with internal sockets
cables are routed through the fairground base*



*ground-mounted base with slide cover
in the front panel*

Ground-mounted Bases

with flap

Ground-mounted base as fairground variant to be used for cabinets assembled interior design protected against direct contact.

- form of delivery: fully assembled
- strain relieved cable entry through the swiveling upper front panel
- with strain relief and construction site power openings



To cabinet	Variants	Features	External dimensions		Order no.	
			WxHxD	Type	RAL 7032	RAL 7035
WxD 440x320	H 950	AS/ST/SC	425x950x310	FP S3/1 950/320	2283	○
WxD 460x320	H 950	AS/ST/SC	455x950x310	FP S X00 950/320	○	2282
WxD 590x320	H 950	AS/ST/SC	590x950x310	FP S4 950/320	2284	2284.1
WxD 785x320	H 950	AS/ST/SC	785x950x310	FP S5 950/320	2285	2285.1
WxD 1115x320	H 950	AS/ST/SC	1115x950x312	FP S6 950/320	2286	2286.1

Further sizes, variants (1200, 1200S), and equipment on request.

Accessories

Accessories for bases

Page 114

Bases for Floor-mounting

with flap

Floor-mounted base as fairground variant to be used for cabinets assembled interior design protected against direct contact.

- form of delivery: fully assembled
- strain relieved cable entry through the swiveling upper front panel
- with strain relief and construction site power openings



To cabinet	Variants	Features	External dimensions		Order no.	
			WxHxD	Type	RAL 7032	RAL 7035
WxD 440x320	H 500	AS/ST/ST	420x528x311	FP SB3/1 500/320	2661	○
WxD 590x320	H 500	AS/ST/ST	585x528x311	FP SB4 500/320	2889	●
WxD 785x320	H 500	AS/ST/ST	780x528x311	FP SB5 500/320	2660	●
WxD 1115x320	H 500	AS/ST/ST	1110x528x311	FP SB6 500/320	2860	●

Further sizes and equipment on request.

Accessories

Accessories for bases

Page 114

Strain relief: AS - anchoring rail, WP - angle section
Construction site power openings: ST - sealing plugs, SC - slide cover

Ground-mounted Bases

with slide cover

Ground-mounted base with slide cover in the upper front panel for plug- /cable entry to be used also allowed at cabinets assembled interior design without protected against direct contact.

- delivered as construction kit
- with strain relief and construction site power openings
- quantity and arrangement of the slide covers acc. to features



To cabinet	Variants	Features	External dimensions		Order no.	
			WxHxD	Type	RAL 7032	RAL 7035
WxD 460x320	H 950	WP/ST/ST, 1xRS120	455x950x310	S X00 950/320 RS	o	10019317
WxD 590x320	H 950	WP/ST/ST, 1xRS120 middle	590x950x310	S4 950/320 RS	10019431	10016637
WxD 785x320	H 950	WP/ST/ST, 1xRS120 middle	785x950x310	S5 950/320 RS	10017690	10017791
WxD 785x320	H 950	WP/ST/ST, 2xRS120	785x950x310	S5 950/320 RS	10018340	10028566
WxD 1115x320	H 950	WP/ST/ST, 2xRS120	1115x950x312	S6 950/320 RS	10018037	10016874
WxD 1445x320	H 950	WP/ST/ST, 3xRS120	1440x950x310	S X3 950/320 RS	o	10028103

Further sizes, variants (1200, 1200S), and equipment on request.

Accessories

Accessories
for bases

Page 114

Bases for Floor-mounting

with slide cover

Floor-mounted base with slide cover in the upper front panel for plug- /cable entry to be used also allowed at cabinets assembled interior design without protected against direct contact.

- form of delivery: fully assembled
- with strain relief and construction site power openings
- quantity and arrangement of the slide covers acc. to features



To cabinet	Variants	Features	External dimensions		Order no.	
			WxHxD	Type	RAL 7032	RAL 7035
WxD 460x320	H 500	WP/ST/ST, 1xRS120 middle	450x528x311	SB X00 500/320 RS	o	10051226
WxD 590x320	H 500	WP/ST/ST, 1xRS120 middle	585x528x311	SB4 500/320 RS	10051224	10051225
WxD 785x320	H 500	WP/ST/ST, 1xRS120 middle	780x528x311	SB5 500/320 RS	10051221	10038813
WxD 1115x320	H 500	WP/ST/ST, 2xRS120	1110x528x311	SB6 500/320 RS	10051222	10036991
WxD 1445x320	H 500	WP/ST/ST, 3xRS120	1440x528x311	SB X3 500/320 RS	o	10051223

Further sizes and equipment on request.

Accessories

Accessories
for bases

Page 114

Strain relief: AS - anchoring rail, WP - angle section
Construction site power openings: ST - sealing plugs, SC - slide cover



Bases for distribution cabinets

A high-quality complete package

Practical installation accessories and matching system components for modifying and extending the ELSTA Mosdorfer base products.

Effective accessories with added value

For moving ELSTA Mosdorfer ground-mounted bases or floor-mounted bases professionally, we offer the right accessories for easier installation and preventing the formation of condensation in the distribution cabinet.

Slabstock foams

Slabstock foams (absorption mats) serve as an additional seal against the soil (against rising earth moisture and penetration of animals).



symbolic picture

Suitable for base WxD	Type/Description	Ext. dimensions WxHxD	Order no.
440x200	SSZ F3/1 - D200, unslit	420x180x100	35249
440x250	SSZ F3/1 - D250, unslit	420x238x100	9464593
440x320	SSZ F3/1 - D320, slit	425x312x100	SSB3.1
460x320	SSZ X00 - D320, unslit	455x312x100	9464695
590x250	SSZ F4 - D250, unslit	590x238x100	9464594
590x320	SSZ X0, F4 - D320, slit	590x312x100	SSB4
590x412	SSZ F4 - D412, unslit	590x402x100	9466511
590x470	SSZ F4 - D470, unslit	590x460x100	9464596
590x635	SSZ F4 - D635, unslit	590x625x100	9464600
785x250	SSZ F5 - D250, unslit	785x238x100	9464595
785x320	SSZ X1, F5 - D320, slit	785x312x100	SSB5
785x412	SSZ F5 - D412, unslit	785x402x100	9466512
785x470	SSZ F5 - D470, unslit	785x460x100	9464597
785x635	SSZ F5 - D635, unslit	785x625x100	9464601
1115x320	SSZ X2, F6 - D320, slit	1115x312x100	SSB6
1115x412	SSZ F6 - D412, unslit	1115x402x100	9466513
1115x470	SSZ F6 - D470, unslit	1115x460x100	9464598
1115x635	SSZ F6 - D635, unslit	1115x625x100	9464602
1445x320	SSZ X3 - D320, unslit	1445x312x100	9464591
1445x412	SSZ X3 - D412, unslit	1445x402x100	9466514
1445x470	SSZ X3 - D470, unslit	1445x460x100	9464599
1445x635	SSZ X3 - D635, unslit	1445x625x100	9464603

Base filler

Base fillers prevents soil moisture from rising and thus significantly reduce the formation of condensate in the distribution cabinet.



Type/Description	Features	Order no.
BT 4-8 mm 50 liter	Naturally expanded clay (water-absorbing), color brown, grain shape round, grain size 4-8 mm. Low dust generation during insertion, is avoided by rodents. 1 bag (50 liters) = 17 kg	3102
Hydrophob 1-4 mm 100 liter	Foam glass (hydrophobic - water repellent), color white, grain shape round, grain size 1-4 mm. Easy handling due to low weight, comparable protective effect with a lower filling quantity. 1 bag (100 liters) = 5,5 kg	1560

Plastic Base grid KSR

Plastic base grid as foundation for ground-mounted bases and pillars in order to stabilize the cabinet in the cable trench

- ensures a maximum of stability of a freestanding distribution cabinet
- including fastening material
- material: thermoplastic recycling-plastic, free of halogen and heavy metals
- benefit: easy handling due to low weight



Type/Description	External dimensions		Order no.
	WxHxD		
KSR 600/400	600x400x40		1515
KSR 800/400	800x400x40		1516
KSR 1200/400	1200x400x40		1517
KSR 800/800	800x800x60		1518
KSR 1200/800	1200x800x60		1519

Suitable for ground-mounted base

Base Depth	Base Width					
	W 440	W 460	W 590	W 785	W 1115	W 1445
	F3/1	X00	X0, F4	X1, F5	X2, F6	X3
D 200	1515	1515	-	-	-	-
D 250	1515	1515	1515	1516	-	-
D 320	1515	1515	1515	1516	1517	2x 1516
D 412	-	-	1518	1518	1519	2x 1518
D 470	-	-	1518	1518	1519	2x 1518
D 635	-	-	1518	1518	1519	2x 1518

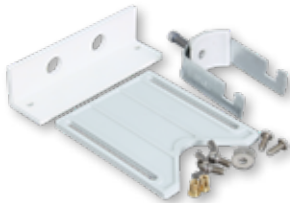
Bases for distribution cabinets

Slide cover retrofit Kit

Retrofit kit for replacing the sealing plugs in the base side part openings with slide covers. Either slider only or including strain relief and cable clamp for diameters 40 to 50 mm. Type is to be selected according to the opening diameter in the base side part.



symbolic picture



symbolic picture



symbolic picture

Type/Description	Features	Order no.
Base-slider DM61 RAL7035, without strain relief	fitting for Ø 61 mm	10016536
Base-slider DM61 RAL7035, with strain relief	fitting for Ø 61 mm	10016537
Base-slider DM81 RAL7035, without strain relief	fitting for Ø 81 mm	10025726
Base-slider DM81 RAL7035, with strain relief	fitting for Ø 81 mm	10025725

Additional Base plates

- additional plates for closing voids
- typical application example: base not completely closed because of steeply descending terrain
- two pieces are required for front and rear
- suitable for base type SX



3249316.E

Type/Description	Features	Order no.
Additional base plate S3/1 RAL7032	fitting for WxD 440x320, RAL 7032	3249307.E
Additional base plate S X00 RAL7035	fitting for WxD 460x320, RAL 7035	3249310.1.E
Additional base plate S4 RAL7035	fitting for WxD 590x320, RAL 7032	3249313.1.E
Additional base plate S4 RAL7032	fitting for WxD 590x320, RAL 7035	3249313.E
Additional base plate S5 RAL7035	fitting for WxD 785x320, RAL 7032	3249316.1.E
Additional base plate S5 RAL7032	fitting for WxD 785x320, RAL 7035	3249316.E
Additional base plate S6 RAL7035	fitting for WxD 1115x320, RAL 7032	3249326.1.E
Additional base plate S6 RAL7032	fitting for WxD 1115x320, RAL 7035	3249326.E

Conversion kit Fairground Base with Flap

Conversion kit for existing standard bases for subsequent conversion to fairground-base with flap.
 - suitable for old base generation S
 - floor-mounted bases possible from H 500

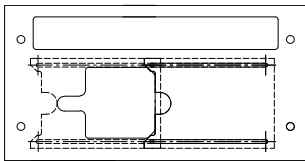


1262

Type/Description	Features	Order no.
Conversion kit fairground-base S3/1, D 320	fitting for WxD 440x320, Base S	1260
Conversion kit fairground-base S4, D320	fitting for WxD 590x320, Base S	1261
Conversion kit fairground-base S5, D320	fitting for WxD 785x320, Base S	1262
Conversion kit fairground-base S6, D320	fitting for WxD 1115x320, Base S	1263

Base Plate with slide cover for Fairground Bases

Insulating base plate to ensure degree of protection IP 23C for cabinets assembled interior design without protected against direct contact in combination with fairground-bases with flap.



symbolic picture

Type/Description	External dimensions	
	WxHxD	Order no.
Base plate F4, D 320 f. fairground cabinets, 1 slider	555x285x6	9408338
Base plate F5, D 320 f. fairground cabinets, 1 slider	750x285x6	9408339
Base plate F6, D 320 f. fairground cabinets, 2 slider	1080x285x6	9408340

POLYESTER PILLARS - FREESTANDING

Polyester pillars
freestanding



Content

Page

Type overview	120
Description Technical specifications	121
Polyester pillars Degree of protection IP 44 / IP 54	124
Accessories for distribution pillars	128

Energy-distributing outdoor pillars

The technically sophisticated pillars will impress you with their compact design and small dimensions. The lower part of the pillar is embedded in the soil as a “base”. The ideal solution for all applications with low space requirements or limited available space.

Compact solution for energy distribution outdoors

The UV-resistant and weather-resistant pillar enclosures from ELSTA Mosdorfer are the ideal solution for all tasks in which pillar enclosures are sought for outdoor use. Depending on the series, the pillars are configured for example as small distribution pillars for clamping units, house connection pillars or metering cabinets. Well thought-out mounting options inside allow maximum flexibility in the interior fittings. Stationary installation, embedded in the soil; the embedded depth depends on the series.

availabilities

- *available as standard (see order no.)*
- *optionally available*
- *variant or order no. on request*
(availability depending on the required quantity)

Polyester Pillars

IP 44, IP 54



Pillar 100
flat
plug-in door



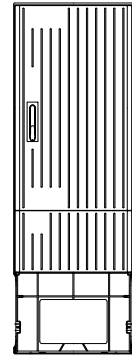
Pillar 270
flat
plug-in door



Pillar 306/308
ribbed
plug-in door



Pillar 310/330
ribbed
hinged door



Pillar 320/340
ribbed
hinged door

Polyester pillars
freestanding

	W 208	W 296	W 345	W 350	W 583
H 1303 7032 flat	Pillar 100 D 116 P.124				
H 1140 7032 flat		Pillar 270 D 161 P.124			
H 1450 7035 ribbed			Pillar 306 D 240 P.125		
H 1600 7035 ribbed			Pillar 308 D 240 P.125		
H 1710 7035 ribbed				Pillar 310 D 278 P.126	Pillar 320 D 278 P.126
H 2010 7035 ribbed				Pillar 330 D 278 P.127	Pillar 340 D 278 P.127

W = width, H = height, D = depth

Variants

COLORS & SURFACE



series: SV
(small distribution pillars)
color: RAL 7032 (pebble grey)
surface: flat



series: 300
color: RAL 7035 (light grey)
surface: ribbed
(poster protection)

Special paints
on request
see page 13

SINGLE- & DOUBLE-LOCK



lever lock
for one half cylinder
with a overall length of
40/45/50 mm



lever lock
for two half cylinders
with a overall length of
40/45 mm

Polyester pillars
freestanding

Examples



house connection
pillar with HAK



metering pillar



marketplace distribution
cabinet with sockets



campsite distribution
cabinet



cable distribution pillar
with copper-busbar
system

Design / Characteristics

- empty enclosures suitable for development as a switchgear assembly in accordance with IEC 61439
- self-supporting plastic enclosure with press-fitted base
- plug-in doors or hinged doors (removable without tools) with triangular locking mechanism
- preparation for cylinder cam lock or for standard commercial built-in half cylinder locks (lever or case lock), depending on the series
- door opening angle 120° with hinged doors series 300
- hot-pressed, glass fibre reinforced thermoset composites, based on unsaturated polyester resin, solid colored and halogen-free
- attachments and locking system of halogen-free thermoplastic, partially glass fibre reinforced and solid colored
- corrosion-resistant material for all metal parts
- freestanding installation by embedding the press-fitted base in the soil
- interior with individual fastening options for strain relief (anchoring rail or angle section), mounting plate or other extensions

Standard Design

- color RAL 7032 with a flat surface for series SV (small distribution pillars)
- color RAL 7035 with ribbed surface for series 300
- hinged doors with single or double catch (lever lock for one or two profile half cylinders)
- plug-in doors with triangular locking mechanism or preparation for built-in half cylinder lock or cylinder cam lock
- base part on the back free for easy cable entry
- without equipment (empty)
- delivered fully assembled
- protection class II, with protection through double or reinforced insulation
- protection class IP 44 or IP 54 (in accordance with IEC 61439 or EN 62208)

Special Design

- painted in another RAL color or special coatings to increase the UV resistance and protection against graffiti
- door stay
- with hard-paper mounting plate
- equipped with busbar systems with switchgear, lighting devices, ventilation systems, and heating
- distributors developed to customer specifications
- extensive range of accessories for the installation and expansion

Technical Specifications

field of application	
ambient temperature suitability lower limit	-25 °C (-50 °C) ¹
ambient temperature suitability upper limit / continuous use temperature	max. 120 °C
electrical properties	
safety class	II (DIN EN 61140) assembled correctly
volume resistivity	min. 10 ¹⁴ Ohm cm (IEC 60093)
dielectric strength	min. 130 kV/cm (IEC 60243-1)
comparative tracking index	CTI 600 (IEC 60112)
insulation resistance U _i	AC 1000 V / DC 1500 V (EN 62208, 9.10)
mechanical properties	
protection against mechanical influences	IK 10 (IEC/EN 62262)
thermal properties	
glow wire test	960 °C (EN 60695-2-12)
flammability	HB 40 a,b (EN 60695-11-10)
heat deflection temperature of pressed fixing domes	min. 200 °C (ISO 75-2-method A)
weathering properties	
UV-durability, mechanical	>> 70 % (EN 62208, 9.12)
UV-durability, visual	fibre not visible (Q-UVB-Test – 800h)
corrosion resistance	all metal parts are corrosion resistant
chemical durability	
halogen-free	yes
termite proof	yes
resistant against:	acids: 10% hydrochloric acid, 10% sulfuric acid, 10%, acetic acid salts: sodium/calcium chloride, de-icing salts, brine further: oil, alcohol, bituminous materials, acidic and basic reactants in the soil, urine

¹ Fitness for use in low-temperature applications between -25 °C and -50 °C achieved by a slightly deviant design. Please announce this requirement when ordering.

Standards / Directives

- product standards IEC / EN 61439, IEC / EN 62208
- conforms to low voltage directive 2014/35/EU
- RoHS Directive (EU) 2015/863 (extension to directive 2011/65/EU)
- REACH Regulation (EC) no. 1907/2006 - last update see www.elsta.com/downloads

POLYESTER PILLARS - FREESTANDING

DEGREE OF PROTECTION IP 44, IP 54

208x1303

WxH

Pillar 100

Distribution pillar for completion according to IEC 61439
Plug-in door with triangular lock.



7032 flat

Depth	RAL-color		Front flat ribs	External dimensions WxHxD	P _{max} ΔT=20K	Base filler (qty.)		Type	Order no.	
	7035	7032				HP 20 cm ¹	BT 30 cm ¹		IP 44	IP 54
116		●	●	208x1303x116	23 W	2 l	3 l	Distribution pillar 100	10015501	-
116		●	●	208x1303x116	23 W	2 l	3 l	Distribution pillar 100, with top-hat rail	10016779	-
116		●	●	208x1303x116	23 W	2 l	3 l	Distribution pillar 100, with profile rail	4491149	-

296x1140

WxH

Pillar 270

Distribution pillar for completion according to IEC 61439
Plug-in door with case lock for half cylinder locks.



7032 flat

Depth	RAL-color		Front flat ribs	External dimensions WxHxD	P _{max} ΔT=20K	Base filler (qty.)		Type	Order no.	
	7035	7032				HP 20 cm ¹	BT 30 cm ¹		IP 44	IP 54
161		●	●	296x1140x161	29 W	9 l	13 l	Distribution pillar 270	4491240	-

Accessories

Accessories for distribution pillars

General accessories

Page 128

Page 170

Dimensional Drawings

W 208

W 296

Page A87

Page A87

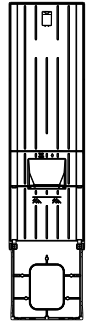
¹ recommended filling height (HP - hydrophobic, BT - expanded clay)

345x1450

WxH

Pillar 306

Distribution pillar for completion according to IEC 61439
 Plug-in door with case lock for half cylinder locks.
 Cable entry option by turning the front panel
 (e.g. temporary power supply on construction sites,
 market places and campsites).



■ 7035 ribbed

Depth	RAL-color		Front flat ribs	External dimensions WxHxD	P _{max} ΔT=20K	Base filler (qty.)		Type	Order no.	
	7035	7032				HP 20 cm ¹	BT 30 cm ¹		IP 44	IP 54
240	●	■	●	345x1450x240	46 W	18 l	27 l	Distribution pillar 306, AS	3291	○
240	●	■	●	345x1450x240	46 W	18 l	27 l	Distribution pillar 306, WP	10050741	○

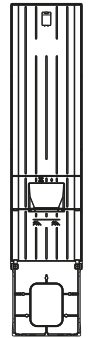
Strain relief: AS - anchoring rail, WP - angle section

345x1600

WxH

Pillar 308

Distribution pillar for completion according to IEC 61439
 Plug-in door with case lock for half cylinder locks.
 Cable entry option by turning the front panel
 (e.g. temporary power supply on construction sites,
 market places and campsites).



■ 7035 ribbed

Depth	RAL-color		Front flat ribs	External dimensions WxHxD	P _{max} ΔT=20K	Base filler (qty.)		Type	Order no.	
	7035	7032				HP 20 cm ¹	BT 30 cm ¹		IP 44	IP 54
240	●	■	●	345x1600x240	52 W	18 l	27 l	Distribution pillar 308, AS	3292	○
240	●	■	●	345x1600x240	52 W	18 l	27 l	Distribution pillar 308, WP	10050643	○

Strain relief: AS - anchoring rail, WP - angle section

Accessories

Accessories for distribution pillars

General accessories

Page 128

Page 170

Dimensional Drawings

W 345

Page A87

Polyester pillars freestanding

¹ recommended filling height (HP - hydrophobic, BT - expanded clay)

POLYESTER PILLARS - FREESTANDING

DEGREE OF PROTECTION IP 44, IP 54

350x1710

WxH

Pillar 310

Distribution pillar for completion according to IEC 61439

Hinged door with lever lock for half cylinder locks.



■ 7035 ribbed

Depth	RAL-color		Front flat ribs	External dimensions WxHxD	P _{max} ΔT=20K	Base filler (qty.)		Type	Order no.	
	7035	7032				HP 20 cm ¹	BT 30 cm ¹		IP 44	IP 54
278	●		●	350x1710x277,5	60 W	22 l	33 l	Distribution pillar 310, AS	2947	○
278	●		●	350x1710x277,5	60 W	22 l	33 l	Distribution pillar 310, WP	10050389	○

Strain relief: AS - anchoring rail, WP - angle section

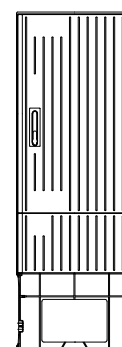
583x1710

WxH

Pillar 320

Distribution pillar for completion according to IEC 61439

Hinged door with lever lock for half cylinder locks.



■ 7035 ribbed

Depth	RAL-color		Front flat ribs	External dimensions WxHxD	P _{max} ΔT=20K	Base filler (qty.)		Type	Order no.	
	7035	7032				HP 20 cm ¹	BT 30 cm ¹		IP 44	IP 54
278	●		●	583x1710x277,5	96 W	36 l	50 l	Distribution pillar 320, AS	2948	○
278	●		●	583x1710x277,5	96 W	36 l	50 l	Distribution pillar 320, WP	10037047	○

Strain relief: AS - anchoring rail, WP - angle section

Accessories

Accessories for distribution pillars

General accessories

Page 128

Page 170

Dimensional Drawings

W 350

W 583

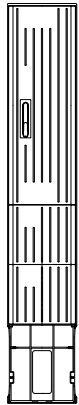
Page A88

Page A88

¹ recommended filling height (HP - hydrophobic, BT - expanded clay)

350x2010

Pillar 330
Distribution pillar for completion according to IEC 61439
WxH Hinged door with lever lock for half cylinder locks.



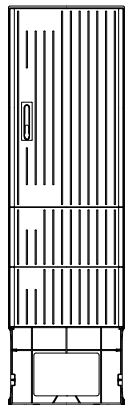
■ 7035 ribbed

Depth	RAL-color		Front flat ribs	External dimensions WxHxD	P _{max} ΔT=20K	Base filler (qty.)		Type	Order no.	
	7035	7032				HP 20 cm ¹	BT 30 cm ¹		IP 44	IP 54
278	●	■	●	350x2010x277,5	76 W	22 l	33 l	Distribution pillar 330, AS	2949	○
278	●	■	●	350x2010x277,5	76 W	22 l	33 l	Distribution pillar 330, WP	10051178	○

Strain relief: AS - anchoring rail, WP - angle section

583x2010

Pillar 340
Distribution pillar for completion according to IEC 61439
WxH Hinged door with lever lock for half cylinder locks.



■ 7035 ribbed

Depth	RAL-color		Front flat ribs	External dimensions WxHxD	P _{max} ΔT=20K	Base filler (qty.)		Type	Order no.	
	7035	7032				HP 20 cm ¹	BT 30 cm ¹		IP 44	IP 54
278	●	■	●	583x2010x277,5	115 W	36 l	50 l	Distribution pillar 340, AS	2950	○
278	●	■	●	583x2010x277,5	115 W	36 l	50 l	Distribution pillar 340, WP	10038417	○

Strain relief: AS - anchoring rail, WP - angle section

Accessories

Accessories for distribution pillars General accessories

Page 128 Page 170

Dimensional Drawings

W 350 W 583

Page A89 Page A89

¹ recommended filling height (HP - hydrophobic, BT - expanded clay)

Mounting plate HP



symbolic picture

Hard-paper mounting plate (HP), melamine laminated on both sides, for assembly directly on the rear wall of the cabinet, including fastening material.

- tracking resistance (IEC 60112) $400 \leq CTI < 600$
- insulation class (EN 60085) E 120 °C

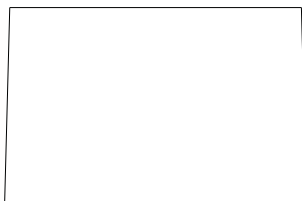
This product meets all requirements of the IEC 61439 series of standards with regard to mounting plates.

Suitable for cabinets WxH	Type/Description	External dimensions WxHxD	Order no.
296x1140	MPL-HP pillar 270	266x470x6	0647
345x1450	MPL-HP pillar 306	302x620x5	3364
345x1600	MPL-HP pillar 308	302x770x5	3365
350x1710/2010	MPL-HP pillar 310/330	307x935x6	3360
583x1710/2010	MPL-HP pillar 320/340	540x935x6	3361

Thread-pull-out force

Thread size	Plate 5 mm	Plate 6 mm	Plate 8 mm
pull-out force M5	1000 N	1500 N	2000 N
pull-out force M6	1500 N	2000 N	2500 N
pull-out force M8	1500 N	2500 N	3000 N
pull-out force M10	not permitted	2500 N	3000 N

Base plate for distribution Pillars



symbolic picture

Suitable for cabinets WxH	Type/Description	External dimensions WxHxD	Order no.
345x1450/1600	BPL-PVC pillar 306/308	314x202x4	9465698
350x1710/2010	BPL-HP pillar 310/330 with holder	325x235x4	10014670
583x1710/2010	BPL-HP pillar 320/340 with holder	556x235x4	10014671

Slabstock foams



symbolic picture

Slabstock foams (absorption mats) serve as an additional seal against the soil (against rising earth moisture and penetration of animals).

Type/Description	External dimensions WxHxD	Order no.
SSZ Säule 100, unslit	172x88x100	9464604
SSZ Säule 270, unslit	285x155x100	9464605
SSZ Säule 306/308, unslit	315x220x100	9465531
SSZ Säule 310/330, unslit	329x273x100	9464607
SSZ Säule 320/340, unslit	563x273x100	9464608

Base filler

Base fillers prevents soil moisture from rising and thus significantly reduce the formation of condensate in the distribution cabinet.



Type/Description	Features	Order no.
BT 4-8 mm 50 liter	Naturally expanded clay (water-absorbing), color brown, grain shape round, grain size 4-8 mm. Low dust generation during insertion, is avoided by rodents. 1 bag (50 liters) = 17 kg	3102
Hydrophob 1-4 mm 100 liter	Foam glass (hydrophobic - water repellent), color white, grain shape round, grain size 1-4 mm. Easy handling due to low weight, comparable protective effect with a lower filling quantity. 1 bag (100 liters) = 5,5 kg	1560

Plastic Base grid KSR

Plastic base grid as foundation for ground-mounted bases and pillars - for stabilization in the cable trench

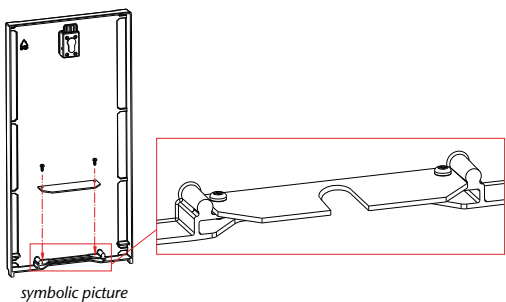
- ensures a maximum of stability of a freestanding distribution cabinet
- including fastening material
- material: thermoplastic recycling-plastic, free of halogen and heavy metals
- benefit: easy handling due to low weight



Type/Description	External dimensions WxHxD	Order no.
KSR 600/400	600x400x40	1515

Cable entry plate for Pillar 306/308

To ensure the degree of protection IP 23C when the cable inlet piece is used for cable entries from the outside.



Type/Description	Features	Order no.
SET cable entry plate for pillar 306/308	-	9408543

POLYESTER ENCLOSURES - FLUSH-MOUNTED

Polyester enclosures
flush-mounted



Content

Page

Type overview	132
Description Technical specifications	134
Series single-shell IP 44	138
Series E IP 44 / IP 54	142
Accessories for enclosures - flush-mounted	146

Robust plastic built-in enclosure for flush mounting

Totally insulated polyester flush-mounted cabinet with appropriate protection class for outdoor use. ELSTA Mosdorfer provides the right size, from small flush-mounted connection boxes to flush-mounted standard cabinets.

Ideally protected flush-mounted distribution enclosure for outdoor use

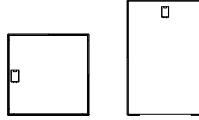
The UV-resistant and weather-resistant polyester flush-mounted distributor enclosures from ELSTA Mosdorfer in different sizes and series have one thing in common – they are the ideal solution for all applications where the distributor enclosure is to be flush-mounted outdoors (for example in the external wall of a house or in the garden wall), and maximum protection and durability are called for. The door can be painted or plastered after simple pre-treatment, and can thus be adapted to the house facade.

availabilities

- *available as standard (see order no.)*
- *optionally available*
- *variant or order no. on request
(availability depending on the required quantity)*

Series single-shell

IP 44



Plug-in door or hinged door see types

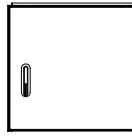
	W 265	W 320	W 330	W 440	W 450	W 472	W 600	W 712
H 320 7032 flat		D 160 P.138						
H 330 7032 flat				D 150 P.139				
H 385 7032 flat	D 130 P.138							
H 440 7032 flat			D 150 P.139					
H 450 7032 flat					D 130 D 165 P.139		D 130 D 165 P.141	
H 472 7032 flat								D 180 P.141
H 520 7032 flat		D 180 P.138						
H 600 7032 flat					D 165 P.140			
H 712 7032 flat						D 180 P.140		

W = width, H = height, D = depth

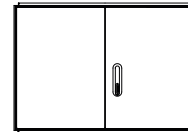
Polyester enclosures
flush-mounted

Series E

IP 44, IP 54



W 440-785
flat
hinged door, 1 door wing



W 1115
flat
hinged door, 2 door wings

	W 440 E3/1	W 590 DIN 0, E4	W 785 DIN 1, E5	W 1115 DIN 2, E6
H 620 7032 flat	D 250 P.142			
H 820 7032 flat	D 200 D 250 D 320 P.142	D 200 D 250 D 320 P.143	D 200 D 250 D 320 P.144	D 200 D 250 D 320 P.145
H 1050 7032 flat	D 200 D 250 D 320 P.142	D 200 D 250 D 320 P.143	D 200 D 250 D 320 P.144	D 200 D 250 D 320 P.145
H 1350 7032 flat		D 200 D 250 D 320 P.143	D 200 D 250 D 320 P.144	D 200 D 250 D 320 P.145

W = width, H = height, D = depth

Polyester enclosures
flush-mounted

HINTS

- Cabinets with flange-mounted base as enlargement of cable space.
- Combinations of flush-mounted cabinets (Kombi) are available on request.

variants: 1/2-1/2 doors 1/3-2/3 doors 2/3-1/3 doors

Variants

Series E

SINGLE- & DOUBLE-LOCK



lever lock
for one half cylinder
with a overall length of
40/45/50 mm



lever lock
for two half cylinders
with a overall length of
40/45 mm

THREE-POINT-LOCKING PLASTIC OR METAL



standard
plastic locking bar system
(except H 1350)



metal locking bar system
on request
(H 1350 as a standard)

DOOR HINGE - POSITION

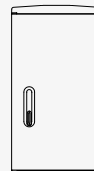


door hinge on the right as standard
door hinge on the left on request

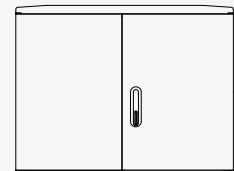
PARTITIONED DOORS / SEPARATE FUNCTIONAL AREAS

Standard door

1 door wing



2 door wings



- hinged door with one, resp. two door wings, closeable with one common lever lock
- continuous cabinet interior

Partitioned doors

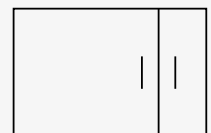
1/2 - 1/2 doors



1/3 - 2/3 doors



2/3 - 1/3 doors



- separate functional areas, each with its own hinged door
- each door closeable with its own lever lock
- cabinet interior partitioned with partition-bar and wall (optionally without wall)

Design / Characteristics

- empty enclosures suitable for development as a switchgear assembly in accordance with IEC 61439
- self-supporting plastic enclosure, single-shell or modular design, depending on the series
- single-shell small distributor and DIN and ÖNORM sizes for use for example as a flush-mounted cable distribution cabinet
- plug in doors or hinged doors (removable without tools) with preparation for cylinder cam lock or for customary commercial built-in half cylinder locks (lever or case lock), depending on the series
- hot-pressed, glass fibre reinforced thermoset composites, based on unsaturated polyester resin, solid colored and halogen-free
- attachments and locking system of halogen-free thermoplastic, partially glass fibre reinforced and solid colored
- corrosion-resistant material for all metal parts
- flush mounting in the wall; the front edge is flush to the facade
- interior with individual fastening options for cable clamping rail, mounting plate or other expansions
- M10 threaded inserts in the rear wall for mounting of busbar systems (185 mm), mounting plates and mounting frames for series E.
- Fixing points based on DIN 43629 / ÖNORM E 4381

Standard Design

- color RAL 7032 with a flat surface
- plug-in doors or hinged doors (removable without tools) with preparation for cylinder cam lock or half cylinder locks (lever or case lock), depending on the series
- without equipment (empty)
- delivered fully assembled
- protection class II, protection via double or reinforced insulation
- protection class IP 44 or IP 54 (in accordance with IEC 61439 or EN 62208)
- openings for cable entry are prefabricated

Special Design

- painted in another RAL color
- special coatings for increasing the UV resistance and protection against graffiti
- asymmetrically divided doors (1/3 and 2/3) and separate functional spaces
- door stay
- with hard-paper mounting plate
- equipped with busbar systems with switchgear, lighting devices, ventilation systems, or heating
- distributors developed to customer specifications
- extensive range of accessories for the installation and expansion

Technical Specifications

field of application	
ambient temperature suitability lower limit	-25 °C (-50 °C) ¹
ambient temperature suitability upper limit / continuous use temperature	max. 120 °C
electrical properties	
safety class	II (DIN EN 61140) assembled correctly
volume resistivity	min. 10 ¹⁴ Ohm cm (IEC 60093)
dielectric strength	min. 130 kV/cm (IEC 60243-1)
comparative tracking index	CTI 600 (IEC 60112)
insulation resistance U _i	AC 1000 V / DC 1500 V (EN 62208, 9.10)
mechanical properties	
protection against mechanical influences	IK 10 (IEC/EN 62262)
thermal properties	
glow wire test	960 °C (EN 60695-2-12)
flammability	HB 40 a,b (EN 60695-11-10)
heat deflection temperature of pressed fixing domes	min. 200 °C (ISO 75-2-method A)
weathering properties	
UV-durability, mechanical	>> 70 % (EN 62208, 9.12)
UV-durability, visual	fibre not visible (Q-UVB-Test – 800h)
corrosion resistance	all metal parts are corrosion resistant
chemical durability	
halogen-free	yes
termite proof	yes
resistant against:	acids: 10% hydrochloric acid, 10% sulfuric acid, 10%, acetic acid salts: sodium/calcium chloride, de-icing salts, brine further: oil, alcohol, bituminous materials, acidic and basic reactants in the soil, urine

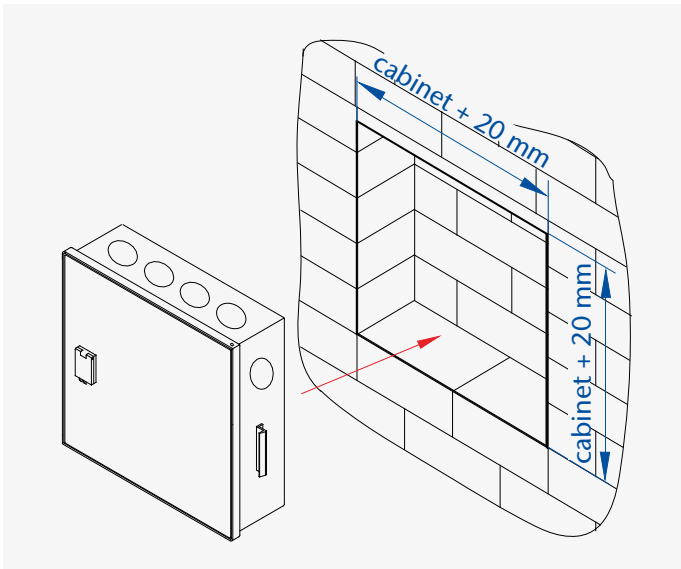
¹ Fitness for use in low-temperature applications between -25 °C and -50 °C achieved by a slightly deviant design. Please announce this requirement when ordering.

Standards / Directives

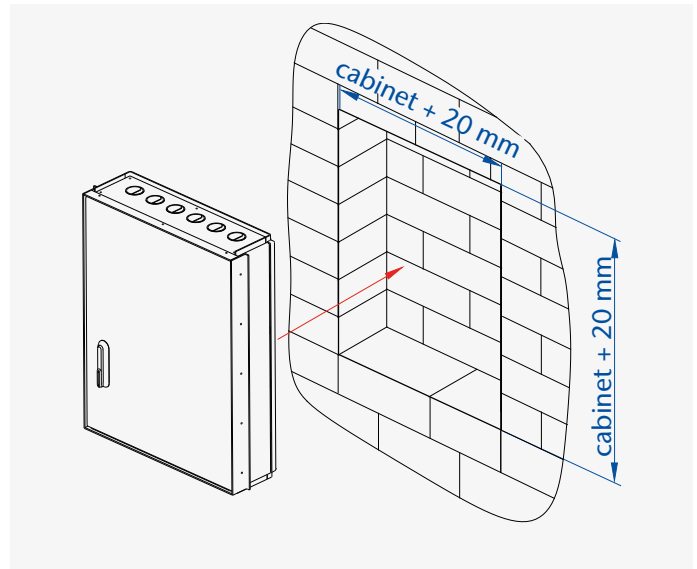
- product standards IEC/EN 61439, IEC/EN 62208
- conforms to Low Voltage Directive 2014/35/EU
- RoHS Directive (EU) 2015/863 (extension to directive 2011/65/EU)
- REACH Regulation (EC) no. 1907/2006 - last update see www.elsta.com/downloads

Niche Dimensions

SERIES SINGLE-SHELL



SERIES E



Assembly Instruction

The applicable construction regulations must be observed for installation in outside walls.

If the cabinet is installed to a thermal insulation system, it must have a correct seal and sealing to the insulation that is secure against driving rain.

Not all cabinets are suitable for installation in outside walls that are completely exposed to the weather.

Cabinets must generally be positioned so that the front edge is flush with the facade. This is to prevent water getting into the facade.

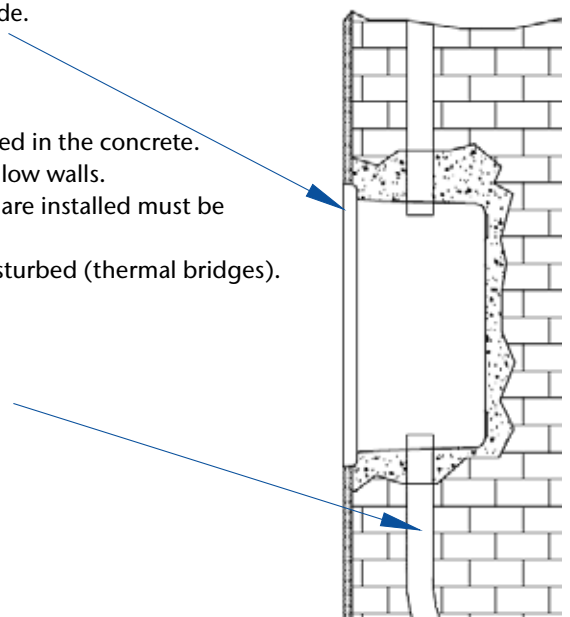
When putting it into the wall, the cabinet must not be deformed!

- When installing in concrete walls, the recess for the cabinet must be preformed in the concrete.
- Flush-mounted cabinets made of plastic are not suitable for installation in hollow walls.
- The cabinets are not made for carrying loads. Recesses in which the cabinets are installed must be given additional support (e.g. with a lintel).
- The basic requirements of buildings with regard to insulation must not be disturbed (thermal bridges).

Hoses or inlets that lead from inside rooms to an externally-installed, wall-mounted cabinet must be sealed with particular care. Otherwise it may result in the formation of heavy condensate.

Outdoor-installation series single-shell:

For unprotected and heavily weathered installation sites, an additional rain cover must be used to protect the cabinet from driving rain.



more on
www.elsta.com/downloads

POLYESTER ENCLOSURES - FLUSH-MOUNTED

SERIES SINGLE-SHELL | DEGREE OF PROTECTION IP 44

265x385

WxH

Flush-mounted enclosure for completion according to IEC 61439
Plug-in door with case lock for half cylinder locks.



7032 flat

Depth	RAL-color		Front		External dimensions WxHxD	P _{max} ΔT=20K	Type	Order no. IP 44
	7035	7032	flat	ribs				
130		•	•		265x385x130	14 W	PUP 265/385/130 (KÜK), EHZ	3819

320x320

WxH

Flush-mounted enclosure for completion according to IEC 61439
Plug-in door (across) with case lock for half cylinder locks.



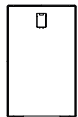
7032 flat

Depth	RAL-color		Front		External dimensions WxHxD	P _{max} ΔT=20K	Type	Order no. IP 44
	7035	7032	flat	ribs				
160		•	•		320x320x160	15 W	PUP 320/320/160 (E0), EHZ	4491202

320x520

WxH

Flush-mounted enclosure for completion according to IEC 61439
Plug-in door with case lock for half cylinder locks.



7032 flat

Depth	RAL-color		Front		External dimensions WxHxD	P _{max} ΔT=20K	Type	Order no. IP 44
	7035	7032	flat	ribs				
180		•	•		320x520x180	22 W	PUP 320/520/180 (E1), EHZ	4491152

Accessories

Accessories for enclosures - flush-mounted

General accessories

Page 146

Page 170

Dimensional Drawings

265x385

320x320

320x520

Page A90

Page A90

Page A90

330x440

WxH

Flush-mounted enclosure for completion according to IEC 61439
Hinged door with case lock for half cylinder locks.



7032 flat

Depth	RAL-color		Front		External dimensions WxHxD	P _{max} ΔT=20K	Type	Order no. IP 44
	7035	7032	flat	ribs				
150		●	●		330x440x150	19 W	PUP 330/440/150 (VSK), EHZ	3820

440x330

WxH

Flush-mounted enclosure for completion according to IEC 61439
Hinged door with case lock for half cylinder locks.



7032 flat

Depth	RAL-color		Front		External dimensions WxHxD	P _{max} ΔT=20K	Type	Order no. IP 44
	7035	7032	flat	ribs				
150		●	●		440x330x150	21 W	PUP 440/330/150, EHZ	4491346

450x450

WxH

Flush-mounted enclosure for completion according to IEC 61439
Hinged door with case lock for half cylinder locks.



7032 flat

Depth	RAL-color		Front		External dimensions WxHxD	P _{max} ΔT=20K	Type	Order no. IP 44
	7035	7032	flat	ribs				
130		●	●		450x450x130	24 W	PUP 450/450/130, EHZ	3822
165		●	●		450x450x165	26 W	PUP 450/450/165, EHZ	3823

Polyester enclosures
flush-mounted

Accessories

Accessories for enclosures - flush-mounted

General accessories

Page 146

Page 170

Dimensional Drawings

330x440

440x330

450x450

Page A90

Page A90

Page A90

POLYESTER ENCLOSURES - FLUSH-MOUNTED

SERIES SINGLE-SHELL | DEGREE OF PROTECTION IP 44

450x600

WxH

Flush-mounted enclosure for completion according to IEC 61439
Hinged door with case lock for half cylinder locks.



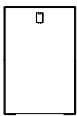
7032 flat

Depth	RAL-color		Front		External dimensions WxHxD	P _{max} ΔT=20K	Type	Order no. IP 44
	7035	7032	flat	ribs				
165		●	●		450x600x165	31 W	PUP 450/600/165, EHZ	3826

472x712

WxH

Flush-mounted enclosure for completion according to IEC 61439
Plug-in door with case lock for half cylinder locks.



7032 flat

Depth	RAL-color		Front		External dimensions WxHxD	P _{max} ΔT=20K	Type	Order no. IP 44
	7035	7032	flat	ribs				
180		●	●		472x712x180	36 W	PUP 472/712/180 (E3), EHZ	4491145

Accessories

Accessories for enclosures - flush-mounted

General accessories

Page 146

Page 170

Dimensional Drawings

450x600

472x712

Page A91

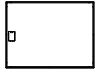
Page A91

Polyester enclosures flush-mounted

600x450

WxH

Flush-mounted enclosure for completion according to IEC 61439
Hinged door with case lock for half cylinder locks.



7032 flat

Depth	RAL-color		Front		External dimensions WxHxD	P _{max} ΔT=20K	Type	Order no. IP 44
	7035	7032	flat	ribs				
130		●	●		600x450x130	31 W	PUP 600/450/130, EHZ	3828
165		●	●		600x450x165	33 W	PUP 600/450/165, EHZ	3830

712x472

WxH

Flush-mounted enclosure for completion according to IEC 61439
Hinged door with case lock for half cylinder locks.



7032 flat

Depth	RAL-color		Front		External dimensions WxHxD	P _{max} ΔT=20K	Type	Order no. IP 44
	7035	7032	flat	ribs				
180		●	●		712x472x180	40 W	PUP 712/472/180, EHZ	3832

Accessories

Accessories for enclosures - flush-mounted

General accessories

Page 146

Page 170

Dimensional Drawings

600x450

712x472

Page A91

Page A91

POLYESTER ENCLOSURES - FLUSH-MOUNTED

SERIES E | DEGREE OF PROTECTION IP 44, IP 54

440x620

WxH

ÖNORM E3/1

Flush-mounted enclosure for completion according to IEC 61439
Hinged door with lever lock for half cylinder locks, without equipment (empty).



F 7032 flat

Depth	RAL-color		Front		Variants			External dimensions		P _{max} ΔT=20K	Type	Order no.	
	7035	7032	flat	ribs				WxHxD	IP 44			IP 54	
250		•	•					458x636x250	36 W	E3/1 620/250	4491377	○	

440x820

WxH

ÖNORM E3/1

Flush-mounted enclosure for completion according to IEC 61439
Hinged door with lever lock for half cylinder locks, without equipment (empty).



F 7032 flat

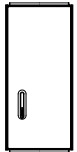
Depth	RAL-color		Front		Variants			External dimensions		P _{max} ΔT=20K	Type	Order no.	
	7035	7032	flat	ribs				WxHxD	IP 44			IP 54	
200		•	•					458x818x200	39 W	E3/1 820/200	3871	○	
250		•	•					458x818x250	41 W	E3/1 820/250	4491275.1	○	
320		•	•					458x818x322	44 W	E3/1 820/320	4491276.1	○	

440x1050

WxH

ÖNORM E3/1

Flush-mounted enclosure for completion according to IEC 61439
Hinged door with lever lock for half cylinder locks, without equipment (empty).



F 7032 flat

Depth	RAL-color		Front		Variants			External dimensions		P _{max} ΔT=20K	Type	Order no.	
	7035	7032	flat	ribs				WxHxD	IP 44			IP 54	
200		•	•					458x1048x205	45 W	E3/1 1050/200	3872	○	
250		•	•					458x1048x250	47 W	E3/1 1050/250	4491283.1	○	
320		•	•					458x1048x322	50 W	E3/1 1050/320	4491284.1	○	

Accessories

Accessories for enclosures - flush-mounted

General accessories

Page 146

Page 170

Dimensional Drawings

440x620

440x820

440x1050

Page A92

Page A92

Page A92

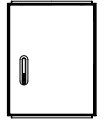
variants: 1/2-1/2 doors 1/3-2/3 doors 2/3-1/3 doors

590x820

WxH

ÖNORM E4

Flush-mounted enclosure for completion according to IEC 61439
Hinged door with lever lock for half cylinder locks, without equipment (empty).



F 7032 flat

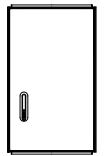
Depth	RAL-color		Front		Variants			External dimensions		P _{max} ΔT=20K	Type	Order no.	
	7035	7032	flat	ribs				WxHxD	IP 44			IP 54	
200		•	•					608x818x200	46 W	E4 820/200	3873	○	
250		•	•					608x818x250	48 W	E4 820/250	4491277.1	○	
320		•	•					608x818x322	51 W	E4 820/320	4491278.1	○	

590x1050

WxH

ÖNORM E4

Flush-mounted enclosure for completion according to IEC 61439
Hinged door with lever lock for half cylinder locks, without equipment (empty).



F 7032 flat

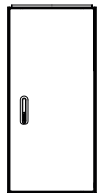
Depth	RAL-color		Front		Variants			External dimensions		P _{max} ΔT=20K	Type	Order no.	
	7035	7032	flat	ribs				WxHxD	IP 44			IP 54	
200		•	•					608x1048x205	52 W	E4 1050/200	3874	○	
250		•	•					608x1048x250	61 W	E4 1050/250	4491285.1	○	
320		•	•					608x1048x322	70 W	E4 1050/320	4491286.1	○	

590x1350

WxH

ÖNORM E4

Flush-mounted enclosure for completion according to IEC 61439
Hinged door with lever lock for half cylinder locks, without equipment (empty).



F 7032 flat

Depth	RAL-color		Front		Variants			External dimensions		P _{max} ΔT=20K	Type	Order no.	
	7035	7032	flat	ribs				WxHxD	IP 44			IP 54	
200		•	•					608x1332x207	68 W	E4 1350/200	3875	○	
250		•	•					608x1332x252	74 W	E4 1350/250	3395.UP	○	
320		•	•					608x1332x324	84 W	E4 1350/320	3397.UP	○	

Accessories

Accessories for enclosures - flush-mounted

General accessories

Page 146

Page 170

Dimensional Drawings

590x820

590x1050

590x1350

Page A93

Page A93

Page A94

variants: 1/2-1/2 doors 1/3-2/3 doors 2/3-1/3 doors

POLYESTER ENCLOSURES - FLUSH-MOUNTED

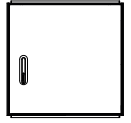
SERIES E | DEGREE OF PROTECTION IP 44, IP 54

785x820

WxH

ÖNORM E5

Flush-mounted enclosure for completion according to IEC 61439
Hinged door with lever lock for half cylinder locks, without equipment (empty).



F 7032 flat

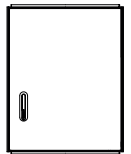
Depth	RAL-color		Front		Variants			External dimensions		P _{max} ΔT=20K	Type	Order no.	
	7035	7032	flat	ribs				WxHxD	IP 44			IP 54	
200		●	●		○	○	○	803x818x200	55 W	E5 820/200	3876	○	
250		●	●		○	○	○	803x818x250	69 W	E5 820/250	4491279.1	○	
320		●	●		○	○	○	803x818x322	77 W	E5 820/320	4491280.1	○	

785x1050

WxH

ÖNORM E5

Flush-mounted enclosure for completion according to IEC 61439
Hinged door with lever lock for half cylinder locks, without equipment (empty).



F 7032 flat

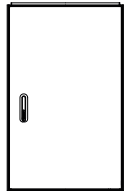
Depth	RAL-color		Front		Variants			External dimensions		P _{max} ΔT=20K	Type	Order no.	
	7035	7032	flat	ribs				WxHxD	IP 44			IP 54	
200		●	●		○	○	○	803x1048x205	75 W	E5 1050/200	3877	○	
250		●	●		○	○	○	803x1048x250	82 W	E5 1050/250	4491287.1	○	
320		●	●		○	○	○	803x1048x322	93 W	E5 1050/320	4491288.1	○	

785x1350

WxH

ÖNORM E5

Flush-mounted enclosure for completion according to IEC 61439
Hinged door with lever lock for half cylinder locks, without equipment (empty).



F 7032 flat

Depth	RAL-color		Front		Variants			External dimensions		P _{max} ΔT=20K	Type	Order no.	
	7035	7032	flat	ribs				WxHxD	IP 44			IP 54	
200		●	●		○	○	○	803x1332x207	91 W	E5 1350/200	3878	○	
250		●	●		○	○	○	803x1332x252	99 W	E5 1350/250	3396.UP	○	
320		●	●		○	○	○	803x1332x324	112 W	E5 1350/320	3398.UP	○	

Accessories

Accessories for enclosures - flush-mounted

General accessories

Page 146

Page 170

Dimensional Drawings

785x820

785x1050

785x1350

Page A94

Page A95

Page A95

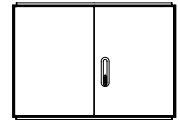
variants: 1/2-1/2 doors 1/3-2/3 doors 2/3-1/3 doors

1115x820

WxH

ÖNORM E6

Flush-mounted enclosure for completion according to IEC 61439 Hinged doors with lever lock for half cylinder locks, without equipment (empty).



F 7032 flat

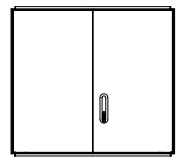
Depth	RAL-color		Front		Variants			External dimensions		P _{max} ΔT=20K	Type	Order no.	
	7035	7032	flat	ribs				WxHxD	IP 44			IP 54	
200		●	●	○	○	○		1133x818x200	91 W	E6 820/200	3868	○	
250		●	●	○	○	○		1133x818x250	99 W	E6 820/250	4491281.1	○	
320		●	●	○	○	○		1133x818x322	109 W	E6 820/320	4491282.1	○	

1115x1050

WxH

ÖNORM E6

Flush-mounted enclosure for completion according to IEC 61439 Hinged doors with lever lock for half cylinder locks, without equipment (empty).



F 7032 flat

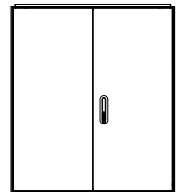
Depth	RAL-color		Front		Variants			External dimensions		P _{max} ΔT=20K	Type	Order no.	
	7035	7032	flat	ribs				WxHxD	IP 44			IP 54	
200		●	●	○	○	○		1133x1048x205	112 W	E6 1050/200	3869	○	
250		●	●	○	○	○		1133x1048x250	121 W	E6 1050/250	4491289.1	○	
320		●	●	○	○	○		1133x1048x322	134 W	E6 1050/320	4491290.1	○	

1115x1350

WxH

ÖNORM E6

Flush-mounted enclosure for completion according to IEC 61439 Hinged doors with lever lock for half cylinder locks, without equipment (empty).



F 7032 flat

Depth	RAL-color		Front		Variants			External dimensions		P _{max} ΔT=20K	Type	Order no.	
	7035	7032	flat	ribs				WxHxD	IP 44			IP 54	
200		●	●	○	○	○		1133x1332x207	119 W	E6 1350/200	3870	○	
250		●	●	○	○	○		1133x1332x252	129 W	E6 1350/250	3465.UP	○	
320		●	●	○	○	○		1133x1332x324	142 W	E6 1350/320	3399.UP	○	

Accessories

Accessories for enclosures - flush-mounted

General accessories

Page 146

Page 170

Dimensional Drawings

1115x820

1115x1050

1115x1350

Page A96

Page A97

Page A98

variants: 1/2-1/2 doors 1/3-2/3 doors 2/3-1/3 doors

Mounting plate HP



symbolic picture

Hard-paper mounting plate (HP), melamine laminated on both sides, for assembly directly on the rear wall of the cabinet, including fastening material.

- tracking resistance (IEC 60112) $400 \leq CTI < 600$
- insulation class (EN 60085) E 120 °C

This product meets all requirements of the IEC 61439 series of standards with regard to mounting plates.

Suitable for cabinets	Ext. dimensions		Order no.
WxH	Type/Description	WxHxD	
265x385	MPL-HP 265/385/130 (KÜK)	220x350x6	3718
320x320	MPL-HP 320/320/160 (E0/A0)	258x258x6	2669
320x520	MPL-HP 350/520/180 (E1/A1)	250x430x6	0660
330x440	MPL-HP 330/440/150 (VSK)	290x395x6	2673
440x330	MPL-HP 330/440/150 (VSK)	290x395x6	2673
450x450	MPL-HP 450/450/130	370x400x6	3721
450x600	MPL-HP 600/450/130-165	555x375x6	2679
472x412	MPL-HP E/A/F3 720	380x640x6	0665
600x450	MPL-HP 600/450/130-165	555x375x6	2679
712x472	MPL-HP E/A/F3 720	380x640x6	0665
440x650	MPL-HP E/A/F 3/1 650	360x550x6	0664
440x850	MPL-HP E/A/F 3/1 850	360x648x6	0642
440x1080	MPL-HP E/A/F 3/1 1080	360x900x6	0643
460x850	MPL-HP X00 850	380x780x6	0644
472x720	MPL-HP E/A/F3 720	380x610x6	0665
590x850	MPL-HP E/A/F4 X0 850	500x648x6	0635
590x1080	MPL-HP E/A/F4 1080	500x900x6	0637
590x1350	MPL-HP E/A/F4 1350	500x1195x6	3480
785x850	MPL-HP E/A/F5 X1 850	695x648x6	0636
785x1080	MPL-HP E/A/F5 1080	695x900x6	0638
785x1350	MPL-HP E/A/F5 1350	695x1195x6	3481
1115x850	MPL-HP E/A/F6 X2 850	1025x648x6	0639
1115x1080	MPL-HP E/A/F6 1080	1025x900x6	0640
1115x1080	MPL-HP E/A/F6 1080	1025x900x8	0640.1
1115x1350	MPL-HP E/A/F6 1350	1025x1195x6	3482

Thread-pull-out force

Thread size	Plate 5 mm	Plate 6 mm	Plate 8 mm
pull-out force M5	1000 N	1500 N	2000 N
pull-out force M6	1500 N	2000 N	2500 N
pull-out force M8	1500 N	2500 N	3000 N
pull-out force M10	not permitted	2500 N	3000 N

Rain protection strip for Flush-mounted Enclosures

In unprotected and heavily weathered locations, an additional rain protection strip must be used to protect the cabinet from driving rain as far as possible.



Suitable for cabinets WxH	Type/Description	Features	Order no.
440x330, 450x450/600	Rain protection strip HSK 440/451	-	9452696
712x472	Rain protection strip HSK 712	-	9452735

POLYESTER ENCLOSURES - SURFACE-MOUNTED

Polyester enclosures
surface-mounted



Content

Page

Type overview	150
Description Technical specifications	152
Series single-shell IP 44	156
Series A IP 44 / IP 54	159
Accessories for enclosures - surface-mounted	163

Robust plastic wall cabinets for wall and pole mounting

Totally insulated polyester wall cabinets with appropriate protection class for outdoor use. ELSTA Mosdorfer provides the right size from small surface-mounted connection boxes to surface-mounted standard cabinets.

Ideally protected surface-mounted distribution enclosure for outdoor use

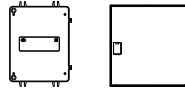
The UV-resistant and weather-resistant polyester surface-mounted distributor enclosures from ELSTA Mosdorfer in different sizes and series have one thing in common – they are the ideal solution for all applications where the distributor enclosure is to be surface-mounted or pole-mounted outdoors, and maximum protection and durability are called for.

availabilities

- available as standard (see order no.)
- optionally available
- variant or order no. on request
(availability depending on the required quantity)

Series single-shell

IP 44



Plug-in door or hinged door see types

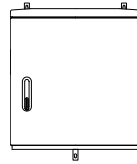
	W 250	W 265	W 320	W 330	W 440	W 450	W 472	W 600	W 712
H 320 7032 flat	D 150 P.156		D 160 P.156						
H 330 7032 flat					D 150 P.157				
H 385 7032 flat		D 130 P.156							
H 440 7032 flat				D 150 P.157					
H 450 7032 flat						D 130 D 165 P.157		D 130 D 165 P.158	
H 472 7032 flat									D 180 P.158
H 520 7032 flat			D 180 P.156						
H 600 7032 flat						D 165 P.157			
H 712 7032 flat							D 180 P.158		

W = width, H = height, D = depth

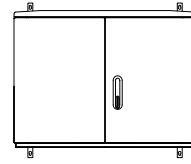
Polyester enclosures
surface-mounted

Series A

IP 44, IP 54



W 590-785
flat
hinged door, 1 door wing



W 1115
flat
hinged door, 2 door wings

	W 440 A3/1	W 590 DIN 0, A4	W 785 DIN 1, A5	W 1115 DIN 2, A6
H 650 7032 flat	D 250 P.159			
H 850 7032 flat	D 200 D 250 D 320 P.159	D 250 D 320 P.160	D 250 D 320 P.161	D 320 P.162
H 1080 7032 flat	D 250 D 320 P.159	D 250 D 320 P.160	D 250 D 320 P.161	D 320 P.162
H 1350 7032 flat		D 250 D 320 P.160	D 250 D 320 P.161	D 320 P.162

W = width, H = height, D = depth

HINTS

- surface-mounted cabinet combinations Kombi are available on request

variants: 1/2-1/2 doors 1/3-2/3 doors 2/3-1/3 doors

Variants

Series A

SINGLE- & DOUBLE-LOCK



lever lock
for one half cylinder
with a overall length of
40/45/50 mm



lever lock
for two half cylinders
with a overall length of
40/45 mm

THREE-POINT-LOCKING PLASTIC OR METAL



standard
plastic locking bar system
(except H 1350)



metal locking bar system
on request
(H 1350 as a standard)

DOOR HINGE - POSITION

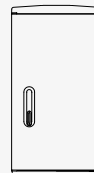


door hinge on the right as standard
door hinge on the left on request

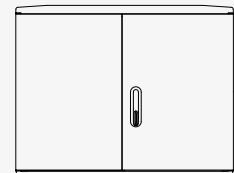
PARTITIONED DOORS / SEPARATE FUNCTIONAL AREAS

Standard door

1 door wing



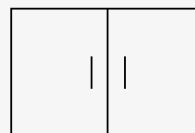
2 door wings



- hinged door with one, resp. two door wings, closeable with one common lever lock
- continuous cabinet interior

Partitioned doors

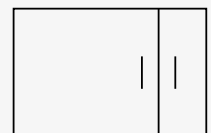
1/2 - 1/2 doors



1/3 - 2/3 doors



2/3 - 1/3 doors



- separate functional areas, each with its own hinged door
- each door closeable with its own lever lock
- cabinet interior partitioned with partition-bar and wall (optionally without wall)

Design / Characteristics

- empty enclosures suitable for development as a switchgear assembly in accordance with IEC 61439
- self-supporting plastic enclosure, single-shell or modular design, depending on the series
- single-shell small distributor and DIN and ÖNORM sizes for use for example as a surface-mounted cable distribution cabinet
- plug-in doors or hinged doors with preparation for cylinder cam lock or for commercial built-in half cylinder locks (lever or case lock), depending on the series
- cable entries are to be made by the customer and realized by means of cable sealing glands
- hot-pressed, glass fibre reinforced thermoset composites, based on unsaturated polyester resin, solid colored and halogen-free
- attachments and locking system of halogen-free thermoplastic, partially glass fibre reinforced and solid colored
- corrosion-resistant material for all metal parts
- wall mounting (surface-mounted on the wall) by means of suitable anchoring fins
- interior with individual fastening options for cable clamping rail, mounting plate or other expansions
- M10 threaded inserts in the rear wall for mounting of busbar systems (185 mm), mounting plates and mounting frames for series A (F-type).
- fixing points based on DIN 43629 / ÖNORM E 4381

Standard Design

- color RAL 7032 with a flat surface
- plug-in doors or hinged doors (removable without tools) with preparation for cylinder cam lock or half cylinder locks (lever or case lock), depending on the series
- without equipment (empty)
- delivered fully assembled
- protection class II, protection via double or reinforced insulation
- protection class IP 44 or IP 54 (in accordance with IEC 61439 or EN 62208)

Special Design

- painted in another RAL color or special coatings to increase the UV resistance and protection against graffiti
- asymmetrically divided doors (1/3 and 2/3) and separate functional spaces
- door stay
- with hard-paper mounting plate
- equipped with busbar systems with switchgear, lighting devices, ventilation systems, or heating
- distributors developed to customer specifications
- extensive range of accessories for the installation and expansion
- pole mounting is possible with a suitable pole mounting bracket (accessory)

Technical Specifications

field of application	
ambient temperature suitability lower limit	-25 °C (-50 °C) ¹
ambient temperature suitability upper limit / continuous use temperature	max. 120 °C
electrical properties	
safety class	II (DIN EN 61140) assembled correctly
volume resistivity	min 10 ¹⁴ Ohm cm (IEC 60093)
dielectric strength	min. 130 kV/cm (IEC 60243-1)
comparative tracking index	CTI 600 (IEC 60112)
insulation resistance U _i	AC 1000 V / DC 1500 V (EN 62208, 9.10)
mechanical properties	
protection against mechanical influences	IK 10 (IEC/EN 62262)
thermal properties	
glow wire test	960 °C (EN 60695-2-12)
flammability	HB 40 a,b (EN 60695-11-10)
heat deflection temperature of pressed fixing domes	min. 200 °C (ISO 75-2-method A)
weathering properties	
UV-durability, mechanical	>> 70 % (EN 62208, 9.12)
UV-durability, visual	fibre not visible (Q-UVB-Test – 800h)
corrosion resistance	all metal parts are corrosion resistant
chemical durability	
halogen-free	yes
termite proof	yes
resistant against:	acids: 10% hydrochloric acid, 10% sulfuric acid, 10%, acetic acid salts: sodium/calcium chloride, de-icing salts, brine further: oil, alcohol, bituminous materials, acidic and basic reactants in the soil, urine

¹ Fitness for use in low-temperature applications between -25 °C and -50 °C achieved by a slightly deviant design. Please announce this requirement when ordering.

Standards / Directives

- product standards IEC/EN 61439, IEC/EN 62208
- conforms to Low Voltage Directive 2014/35/EU
- RoHS Directive (EU) 2015/863 (extension to directive 2011/65/EU)
- REACH Regulation (EC) no. 1907/2006 - last update see www.elsta.com/downloads

Assembly Instruction

Cabinets for wall-mounting are equipped with suitable mounting tabs.

These tabs must be used without exception. The fastening material must be chosen according to the wall structure. Through-holes through the roof are not recommended, even are used. If threaded cable glands with the respective IP protection rating.

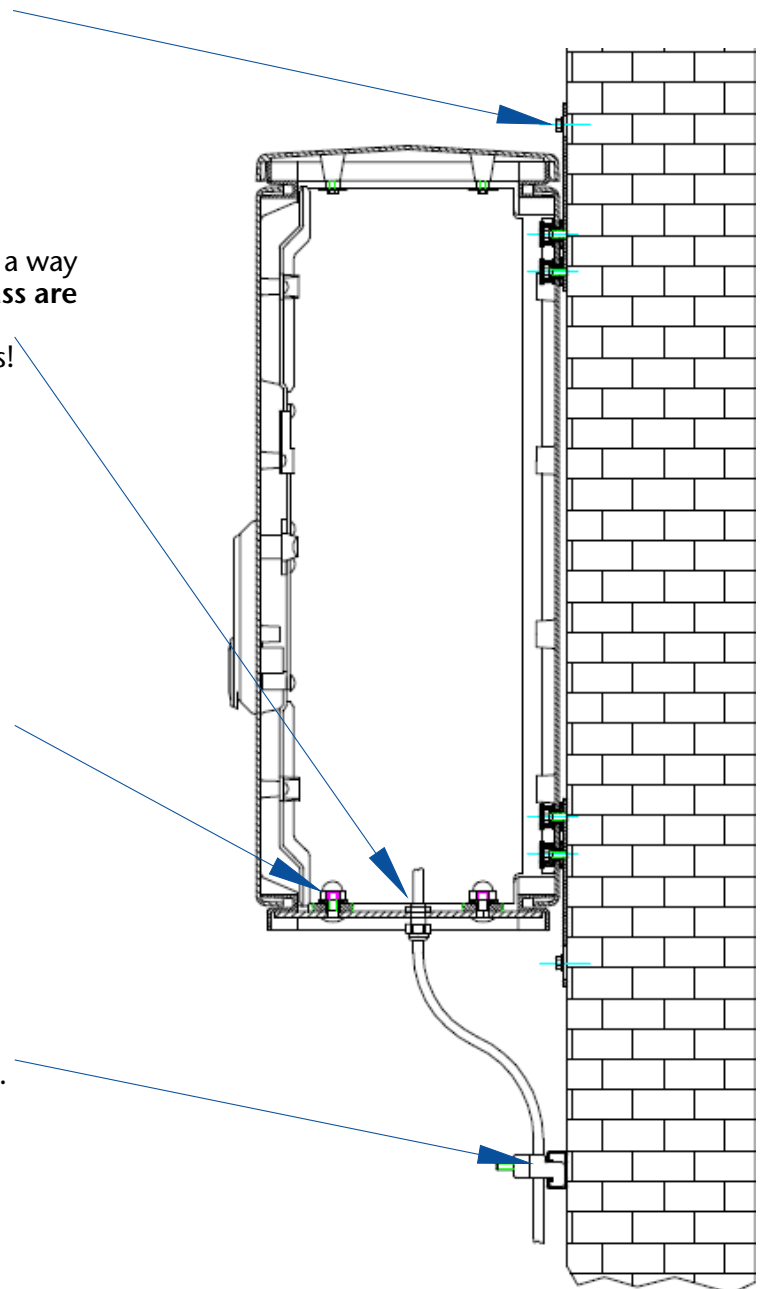
Use the appropriate fastening material!

Make sure that the cable entries are made in such a way that the **degree of protection and protection class are retained**.

Use appropriate rubber grommets or cable glands!

The protective caps are used to ensure protection class II and must not be permanently removed.

The strain relief of the conductors that lead out must be implemented externally if no provisions have been made for this in the cabinet.



Polyester enclosures
surface-mounted

more on
www.elsta.com/downloads

POLYESTER ENCLOSURES - SURFACE-MOUNTED

SERIES SINGLE-SHELL | DEGREE OF PROTECTION IP 44

250x320

WxH

Surface-mounted enclosure for completion according to IEC 61439
Hinged door with sealable locking screws.



7032 flat

Depth	RAL-color		Front		External dimensions WxHxD	P _{max} ΔT=20K	Type	Order no. IP 44
	7035	7032	flat	ribs				
150		•	•		250x320x150	16 W	PAP 250/320/150 (KHAS)	0151.1

265x385

WxH

Surface-mounted enclosure for completion according to IEC 61439
Plug-in door with case lock for half cylinder locks.



7032 flat

Depth	RAL-color		Front		External dimensions WxHxD	P _{max} ΔT=20K	Type	Order no. IP 44
	7035	7032	flat	ribs				
130		•	•		265x385x130	18 W	PAP 265/385/130 (KÜK), EHZ	3313

320x320

WxH

Surface-mounted enclosure for completion according to IEC 61439
Plug-in door (across) with case lock for half cylinder.



7032 flat

Depth	RAL-color		Front		External dimensions WxHxD	P _{max} ΔT=20K	Type	Order no. IP 44
	7035	7032	flat	ribs				
160		•	•		320x320x160	20 W	PAP 320/320/160 (A0), EHZ	4491202.AP

320x520

WxH

Surface-mounted enclosure for completion according to IEC 61439
Plug-in door with case lock for half cylinder locks.



7032 flat

Depth	RAL-color		Front		External dimensions WxHxD	P _{max} ΔT=20K	Type	Order no. IP 44
	7035	7032	flat	ribs				
180		•	•		320x520x180	28 W	PAP 320/520/180 (A1), EHZ	4491267

Accessories

Accessories for enclosures - surface-mounted

General accessories

Page 163

Page 170

Dimensional Drawings

250x320

265x385

320x320

320x520

Page A99

Page A99

Page A99

Page A99

330x440

WxH

Surface-mounted enclosure for completion according to IEC 61439
Hinged door with case lock for half cylinder locks.



7032 flat

Depth	RAL-color		Front		External dimensions WxHxD	P _{max} ΔT=20K	Type	Order no. IP 44
	7035	7032	flat	ribs				
150		•	•		330x440x150	24 W	PAP 330/440/150 (VSK), EHZ	3583

440x330

WxH

Surface-mounted enclosure for completion according to IEC 61439
Hinged door with case lock for half cylinder locks.



7032 flat

Depth	RAL-color		Front		External dimensions WxHxD	P _{max} ΔT=20K	Type	Order no. IP 44
	7035	7032	flat	ribs				
150		•	•		440x330x150	26 W	PAP 440/330/150, EHZ	4491346.AP

450x450

WxH

Surface-mounted enclosure for completion according to IEC 61439
Hinged door with case lock for half cylinder locks.



7032 flat

Depth	RAL-color		Front		External dimensions WxHxD	P _{max} ΔT=20K	Type	Order no. IP 44
	7035	7032	flat	ribs				
130		•	•		450x450x130	29 W	PAP 450/450/130, EHZ	3821
165		•	•		450x450x165	32 W	PAP 450/450/165, EHZ	3824

450x600

WxH

Surface-mounted enclosure for completion according to IEC 61439
Hinged door with case lock for half cylinder locks.



7032 flat

Depth	RAL-color		Front		External dimensions WxHxD	P _{max} ΔT=20K	Type	Order no. IP 44
	7035	7032	flat	ribs				
165		•	•		450x600x165	36 W	PAP 450/600/165, EHZ	3825

Accessories

Accessories for enclosures - surface-mounted

General accessories

Page 163

Page 170

Dimensional Drawings

330x440

440x330

450x450

450x600

Page A99

Page A100

Page A100

Page A100

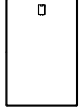
POLYESTER ENCLOSURES - SURFACE-MOUNTED

SERIES SINGLE-SHELL | DEGREE OF PROTECTION IP 44

472x712

WxH

Surface-mounted enclosure for completion according to IEC 61439
Plug-in door with case lock for half cylinder locks.



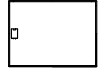
7032 flat

Depth	RAL-color		Front		External dimensions WxHxD	P _{max} ΔT=20K	Type	Order no. IP 44
	7035	7032	flat	ribs				
180		●	●		472x712x180	42 W	PAP 472/712/180 (A3), EHZ	4491270

600x450

WxH

Surface-mounted enclosure for completion according to IEC 61439
Hinged door with case lock for half cylinder locks.



7032 flat

Depth	RAL-color		Front		External dimensions WxHxD	P _{max} ΔT=20K	Type	Order no. IP 44
	7035	7032	flat	ribs				
130		●	●		600x450x130	36 W	PAP 600/450/130, EHZ	3827
165		●	●		600x450x165	39 W	PAP 600/450/165, EHZ	3829

712x472

WxH

Surface-mounted enclosure for completion according to IEC 61439
Hinged door with case lock for half cylinder locks.



7032 flat

Depth	RAL-color		Front		External dimensions WxHxD	P _{max} ΔT=20K	Type	Order no. IP 44
	7035	7032	flat	ribs				
180		●	●		712x472x180	46 W	PAP 712/472/180, EHZ	3831

Accessories

Accessories for enclosures - surface-mounted

General accessories

Page 163

Page 170

Dimensional Drawings

472x712

600x450

712x472

Page A100

Page A101

Page A101

440x650

WxH

ÖNORM A3/1

Surface-mounted enclosure for completion according to IEC 61439
Hinged door with lever lock for half cylinder locks, without equipment (empty).



F 7032 flat

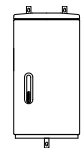
Depth	RAL-color		Front		Variants			External dimensions		P _{max} ΔT=20K	Type	Order no.	
	7035	7032	flat	ribs				WxHxD	IP 44			IP 54	
250		●	●					440x654x250	43 W	A3/1 650/250	1443.1.AP	1443.1.AP.54	

440x850

WxH

ÖNORM A3/1

Surface-mounted enclosure for completion according to IEC 61439
Hinged door with lever lock for half cylinder locks, without equipment (empty).



F 7032 flat

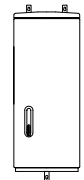
Depth	RAL-color		Front		Variants			External dimensions		P _{max} ΔT=20K	Type	Order no.	
	7035	7032	flat	ribs				WxHxD	IP 44			IP 54	
200		●	●					440x836x200	45 W	A3/1 850/200	0596.1.AP	0596.1.AP.54	
250		●	●					440x836x250	48 W	A3/1 850/250	1451.1.AP	1451.1.AP.54	
320		●	●					440x836x322	52 W	A3/1 850/320	0579.1.AP	0579.1.AP.54	

440x1080

WxH

ÖNORM A3/1

Surface-mounted enclosure for completion according to IEC 61439
Hinged door with lever lock for half cylinder locks, without equipment (empty).



F 7032 flat

Depth	RAL-color		Front		Variants			External dimensions		P _{max} ΔT=20K	Type	Order no.	
	7035	7032	flat	ribs				WxHxD	IP 44			IP 54	
250		●	●					440x1065x250	58 W	A3/1 1080/250	1452.AP	1452.AP.54	
320		●	●					440x1065x322	70 W	A3/1 1080/320	0580.1.AP	0580.1.AP.54	

Polyester enclosures surface-mounted

Accessories

Accessories for enclosures - surface-mounted

General accessories

Page 163

Page 170

Dimensional Drawings

440x650

440x850

440x1080

Page A102

Page A102

Page A102

variants: 1/2-1/2 doors 1/3-2/3 doors 2/3-1/3 doors

POLYESTER ENCLOSURES - SURFACE-MOUNTED

SERIES A | DEGREE OF PROTECTION IP 44, IP 54

590x850

WxH

ÖNORM A4

Surface-mounted enclosure for completion according to IEC 61439
Hinged door with lever lock for half cylinder locks, without equipment (empty).



F 7032 flat

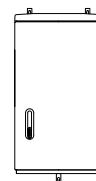
Depth	RAL-color		Front		Variants			External dimensions		P _{max} ΔT=20K	Type	Order no.	
	7035	7032	flat	ribs				WxHxD	IP 44			IP 54	
250		●	●					590x836x250	64 W	A4 850/250	1453.AP	1453.AP.54	
320		●	●					590x836x322	76 W	A4 850/320	0284.1.AP	0284.1.AP.54	

590x1080

WxH

ÖNORM A4

Surface-mounted enclosure for completion according to IEC 61439
Hinged door with lever lock for half cylinder locks, without equipment (empty).



F 7032 flat

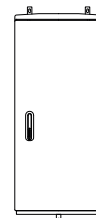
Depth	RAL-color		Front		Variants			External dimensions		P _{max} ΔT=20K	Type	Order no.	
	7035	7032	flat	ribs				WxHxD	IP 44			IP 54	
250		●	●					590x1065x250	75 W	A4 1080/250	1454.AP	1454.AP.54	
320		●	●					590x1065x322	90 W	A4 1080/320	0318.1.AP	0318.AP.54	

590x1350

WxH

ÖNORM A4

Surface-mounted enclosure for completion according to IEC 61439
Hinged door with lever lock for half cylinder locks, without equipment (empty).



F 7032 flat

Depth	RAL-color		Front		Variants			External dimensions		P _{max} ΔT=20K	Type	Order no.	
	7035	7032	flat	ribs				WxHxD	IP 44			IP 54	
250		●	●					590x1350x252	90 W	A4 1350/250	3395.AP	3395.AP.54	
320		●	●					590x1350x324	106 W	A4 1350/320	3397.AP	3397.AP.54	

Accessories

Accessories for enclosures - surface-mounted

General accessories

Page 163

Page 170

Dimensional Drawings

590x850

590x1080

590x1350

Page A103

Page A103

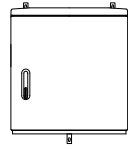
Page A104

variants: 1/2-1/2 doors 1/3-2/3 doors 2/3-1/3 doors

785x850

WxH

ÖNORM A5
Surface-mounted enclosure for completion according to IEC 61439
Hinged door with lever lock for half cylinder locks, without equipment (empty).



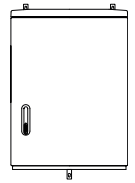
F 7032 flat

Depth	RAL-color		Front		Variants			External dimensions		P _{max} ΔT=20K	Type	Order no.	
	7035	7032	flat	ribs				WxHxD	IP 44			IP 54	
250		●	●	○	○	○		785x836x250	84 W	A5 850/250	1455.AP	1455.AP.54	
320		●	●	○	○	○		785x836x322	99 W	A5 850/320	0285.AP	0285.AP.54	

785x1080

WxH

ÖNORM A5
Surface-mounted enclosure for completion according to IEC 61439
Hinged door with lever lock for half cylinder locks, without equipment (empty).



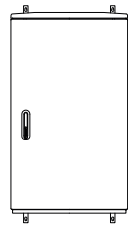
F 7032 flat

Depth	RAL-color		Front		Variants			External dimensions		P _{max} ΔT=20K	Type	Order no.	
	7035	7032	flat	ribs				WxHxD	IP 44			IP 54	
250		●	●	○	○	○		785x1065x250	99 W	A5 1080/250	1456.AP	1456.AP.54	
320		●	●	○	○	○		785x1065x322	117 W	A5 1080/320	0319.1.AP	0319.54.AP	

785x1350

WxH

ÖNORM A5
Surface-mounted enclosure for completion according to IEC 61439
Hinged door with lever lock for half cylinder locks, without equipment (empty).



F 7032 flat

Depth	RAL-color		Front		Variants			External dimensions		P _{max} ΔT=20K	Type	Order no.	
	7035	7032	flat	ribs				WxHxD	IP 44			IP 54	
250		●	●	○	○	○		785x1350x252	118 W	A5 1350/250	3396.AP	3396.AP.54	
320		●	●	○	○	○		785x1350x324	138 W	A5 1350/320	3398.AP	3398.AP.54	

Zubehör

Accessories for enclosures - surface-mounted

General accessories

Page 163

Page 170

Dimensional Drawings

785x850

785x1080

785x1350

Page A104

Page A105

Page A105

variants: 1/2-1/2 doors 1/3-2/3 doors 2/3-1/3 doors

POLYESTER ENCLOSURES - SURFACE-MOUNTED

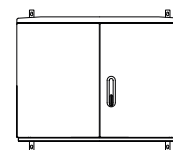
SERIES A | DEGREE OF PROTECTION IP 44, IP 54

1115x850

WxH

ÖNORM A6

Surface-mounted enclosure for completion according to IEC 61439 Hinged doors with lever lock for half cylinder locks, without equipment (empty).



F 7032 flat

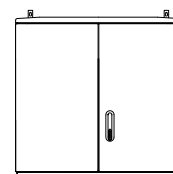
Depth	RAL-color		Front		Variants			External dimensions		P _{max} ΔT=20K	Type	Order no.	
	7035	7032	flat	ribs				WxHxD	IP 44			IP 54	
320		●	●		○	○	○	1115x836x322	137 W	A6 850/320	0537.AP	0537.AP.54	

1115x1080

WxH

ÖNORM A6

Surface-mounted enclosure for completion according to IEC 61439 Hinged doors with lever lock for half cylinder locks, without equipment (empty).



F 7032 flat

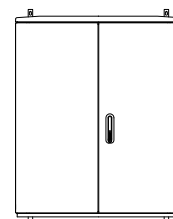
Depth	RAL-color		Front		Variants			External dimensions		P _{max} ΔT=20K	Type	Order no.	
	7035	7032	flat	ribs				WxHxD	IP 44			IP 54	
320		●	●		○	○	○	1115x1065x322	162 W	A6 1080/320	0552.AP	0552.AP.54	

1115x1350

WxH

ÖNORM A6

Surface-mounted enclosure for completion according to IEC 61439 Hinged doors with lever lock for half cylinder locks, without equipment (empty).



F 7032 flat

Depth	RAL-color		Front		Variants			External dimensions		P _{max} ΔT=20K	Type	Order no.	
	7035	7032	flat	ribs				WxHxD	IP 44			IP 54	
320		●	●		○	○	○	1115x1350x324	192 W	A6 1350/320	3399.AP	3399.AP.54	

Accessories

Accessories for enclosures - surface-mounted

General accessories

Page 163

Page 170

Dimensional Drawings

1115x850

1115x1080

1115x1350

Page A106

Page A106

Page A106

variants: 1/2-1/2 doors 1/3-2/3 doors 2/3-1/3 doors

Mounting plate HP



41423

Hard-paper mounting plate (HP), melamine laminated on both sides, for assembly directly on the rear wall of the cabinet, including fastening material.

- tracking resistance (IEC 60112) $400 \leq CTI < 600$
- insulation class (EN 60085) E 120 °C

This product meets all requirements of the IEC 61439 series of standards with regard to mounting plates.

Suitable for cabinets WxH	Type/Description	Ext. dimensions WxHxD	Order no.
250x320	MPL-HP 250/320/150 (KHAS)	224x275x4	2685
265x385	MPL-HP 265/385/130 (KÜK)	220x350x6	3718
320x320	MPL-HP 320/320/160 (E0/A0)	258x258x6	2669
320x520	MPL-HP 350/520/180 (E1/A1)	250x430x6	0660
330x440	MPL-HP 330/440/150 (VSK)	290x395x6	2673
440x330	MPL-HP 330/440/150 (VSK)	290x395x6	2673
450x450	MPL-HP 450/450/130	370x400x6	3721
450x600	MPL-HP 600/450/130-165	555x375x6	2679
472x412	MPL-HP E/A/F3 720	380x640x6	0665
600x450	MPL-HP 600/450/130-165	555x375x6	2679
712x472	MPL-HP E/A/F3 720	380x640x6	0665
440x650	MPL-HP E/A/F 3/1 650	360x550x6	0664
440x850	MPL-HP E/A/F 3/1 850	360x648x6	0642
440x1080	MPL-HP E/A/F 3/1 1080	360x900x6	0643
460x850	MPL-HP X00 850	380x780x6	0644
472x720	MPL-HP E/A/F3 720	380x610x6	0665
590x850	MPL-HP E/A/F4 X0 850	500x648x6	0635
590x1080	MPL-HP E/A/F4 1080	500x900x6	0637
590x1350	MPL-HP E/A/F4 1350	500x1195x6	3480
785x850	MPL-HP E/A/F5 X1 850	695x648x6	0636
785x1080	MPL-HP E/A/F5 1080	695x900x6	0638
785x1350	MPL-HP E/A/F5 1350	695x1195x6	3481
1115x850	MPL-HP E/A/F6 X2 850	1025x648x6	0639
1115x1080	MPL-HP E/A/F6 1080	1025x900x6	0640
1115x1080	MPL-HP E/A/F6 1080	1025x900x8	0640.1
1115x1350	MPL-HP E/A/F6 1350	1025x1195x6	3482

Polyester enclosures
surface-mounted

Thread-pull-out force

Thread size	Plate 5 mm	Plate 6 mm	Plate 8 mm
pull-out force M5	1000 N	1500 N	2000 N
pull-out force M6	1500 N	2000 N	2500 N
pull-out force M8	1500 N	2500 N	3000 N
pull-out force M10	not permitted	2500 N	3000 N

MODULE ENCLOSURES - THERMOPLASTIC FLUSH-/ SURFACE-MOUNTED



Module enclosures
thermoplastic

Content

Page

Type overview

262

Description | Technical specifications

264

Flexible plastic enclosure system for flush-/surface-mounted installation

Totally insulated plastic wall cabinets for metering and distribution cabinets with millimeter precision for flush mounting or wall mounting.

Modular double-wall enclosure for indoor and outdoor use, made to measure

The thermoplastic enclosures from ELSTA Mosdorfer are constructed from a framework of extruded, double-walled profiles and corner joints, and reinforced with a rear wall. Hinged doors made of plastic or galvanized, powder-coated sheet steel with different locking systems and optional cleaning frames make the modular cabinet system a versatile and functional enclosure solution for energy distribution.

availabilities

- available as standard (see order no.)
- optionally available
- variant or order no. on request
(availability depending on the required quantity)

Series M

IP 30D, IP43¹

- rear wall inserted
- insulating frame material
- door and face plate made of galvanized, powder-coated sheet steel
- color RAL 7035

External dimensions WxHxD	Door wing	P _{max} UP	P _{max} AP	Type
		ΔT=20K	ΔT=20K	
300x521x225	1	23 W	31 W	M 300/521/225
300x679x225	1	29 W	38 W	M 300/679/225
300x829x225	1	34 W	44 W	M 300/829/225
300x979x225	1	39 W	50 W	M 300/979/225
300x1129x225	1	44 W	56 W	M 300/1129/225
300x1254x225	1	48 W	61 W	M 300/1254/225
300x1404x225	1	52 W	66 W	M 300/1404/225
300x1554x225	1	57 W	65 W	M 300/1554/225
550x521x225	1	38 W	48 W	M 550/521/225
550x679x225	1	45 W	56 W	M 550/679/225
550x829x225	1	52 W	64 W	M 550/829/225
550x979x225	1	58 W	65 W	M 550/979/225
550x1129x225	1	65 W	72 W	M 550/1129/225
550x1254x225	1	63 W	79 W	M 550/1254/225
550x1404x225	1	68 W	84 W	M 550/1404/225
550x1554x225	1	76 W	93 W	M 550/1554/225
800x521x225	1	53 W	65 W	M 800/521/225
800x679x225	1	62 W	72 W	M 800/679/225
800x829x225	1	71 W	83 W	M 800/829/225
800x979x225	1	76 W	93 W	M 800/979/225
800x1129x225	1	86 W	103 W	M 800/1129/225
800x1254x225	1	93 W	112 W	M 800/1254/225
800x1404x225	1	101 W	121 W	M 800/1404/225
800x1554x225	1	110 W	130 W	M 800/1554/225
800x1704x225	1	118 W	139 W	M 800/1704/225
1050x521x225	2	67 W	78 W	M 1050/521/225
1050x679x225	2	76 W	94 W	M 1050/679/225
1050x829x225	2	89 W	107 W	M 1050/829/225
1050x979x225	2	101 W	122 W	M 1050/979/225
1050x1129x225	2	114 W	135 W	M 1050/1129/225
1050x1254x225	2	123 W	145 W	M 1050/1254/225
1050x1404x225	2	135 W	157 W	M 1050/1404/225
1050x1554x225	2	146 W	169 W	M 1050/1554/225
1050x1704x225	2	156 W	181 W	M 1050/1704/225

Order no.
on request

Module enclosures
thermoplastic

¹ Flush mounted variant with plaster-frame and additional door-sealing

Series MG

IP 30D, IP43

- rear wall screwed
- insulating frame and door material
- color RAL 7035

External dimensions WxHxD	Door wing	P _{max} UP	P _{max} AP	Type
		$\Delta T=20K$	$\Delta T=20K$	
400x260x175	1	17 W	23 W	MG 400/260/175
400x300x175	1	19 W	24 W	MG 400/300/175
450x490x175	1	28 W	36 W	MG 450/490/175
600x490x175	1	36 W	44 W	MG 600/490/175
600x590x175	1	41 W	50 W	MG 600/590/175
600x590x230	1	44 W	55 W	MG 600/590/230
600x850x175	2	53 W	59 W	MG 600/850/175
600x850x230	2	57 W	65 W	MG 600/850/230
750x490x175	2	45 W	54 W	MG 750/490/175
750x490x230	2	48 W	60 W	MG 750/490/230
750x850x175	2	65 W	68 W	MG 750/850/175
750x850x230	2	69 W	80 W	MG 750/850/230
900x490x175	2	53 W	63 W	MG 900/490/175
900x590x230	2	64 W	74 W	MG 900/590/230
900x850x175	2	70 W	83 W	MG 900/850/175
900x850x230	2	78 W	95 W	MG 900/850/230
1000x490x175	2	58 W	69 W	MG 1000/490/175
1000x590x175	2	66 W	71 W	MG 1000/590/175
1000x590x230	2	70 W	81 W	MG 1000/590/230
1100x590x175	2	72 W	79 W	MG 1100/590/175
1100x590x230	2	76 W	90 W	MG 1100/590/230

Order no.
on request

Design / Characteristics

- empty enclosures suitable for development as a switchgear assembly in accordance with IEC 61439
- use as a metering cabinet, main distribution cabinet (fuse distribution cabinet) or installation distributor (field distribution cabinet)
- stable, torsion-free frame construction of extruded, double-walled plastic profiles and plugged-in corner connectors and plug-in or screw-in rear wall
- Hinged doors made of plastic or galvanized, powder-coated sheet steel with a sash lock or preparation for a cylinder cam lock
- corrosion-resistant material for all metal parts
- flush mounting (UP/UPR) in the wall; the front edge is flush to the facade
- surface-mounting (AP) (surface-mounted on the wall) by means of suitable anchoring fins
- interior with individual mounting options for the ELSTA-Mosdorfer interior fitting system or profile rails for various extensions and busbar systems
- interior with individual mounting options for the ELSTA Mosdorfer interior fittings system or profile rails for various extensions and busbar systems
- protection class II, protection via double or reinforced insulation
- outdoor installation as a flush-mounted variant with a plastic door and a flush-mounted variant with a sheet metal door and plaster frame in protection class IP 43

Standard Design

- color RAL 7035 with a flat surface
- hinged door made of plastic or galvanized, powder-coated sheet steel with sash lock or preparation for cylinder cam lock or cylinder locks
- empty or equipped with hard-paper mounting plate
- delivered fully assembled

Special Design

- equipped with metering or distributor insert
- equipped with busbar systems with switchgear, protected covered
- distributors developed to customer specifications

Technical Specifications

field of application	
ambient temperature suitability lower limit	-25 °C
ambient temperature suitability upper limit	100 °C (briefly)
continuous use temperature	60 °C
electrical properties	
safety class	II (DIN EN 61140) assembled correctly
insulation resistance U_i	AC 1000 V / DC 1500 V (EN 62208, 9.10)
mechanical properties	
protection against mechanical influences	IK 10 (IEC/EN 62262)
thermal properties	
glow wire test	650 °C (EN 60695-2-12)
flammability	HB 40 a,b (EN 60695-11-10)
heat deflection temperature	79 °C (ISO 10350-1 / VST B50)
weathering properties	
UV-durability, mechanical	500 h / > 70 % (EN 62208, 9.12)
UV-durability, visual	Doors for outdoor applications made of UV-stabilized PVC or made of powder coated galvanized steel sheet.
corrosion resistance	all metal parts are corrosion resistant

Standards / Directives

- product standards IEC/EN 61439, IEC/EN 62208
- conforms to Low Voltage Directive 2014/35/EU
- RoHS Directive (EU) 2015/863 (extension to directive 2011/65/EU)
- REACH Regulation (EC) no. 1907/2006 - last update see www.elsta.com/downloads

ACCESSORIES



Content

Page

Accessories for cabinet series, see the product groups	-
Accessories for distributor construction	172
Surface treatment, paint repair & cleaning	180

Everything in individual parts

ELSTA Mosdorfer sees itself as a full-service supplier in the switching cabinet and distributor building segment, and the extensive range of accessories and spare parts ensures investment security after the purchase too.

Spare parts for our cabinet system, and installation parts for electricians and switch cabinet builders

With a large selection of universal accessories, equipment and replacement parts, ELSTA Mosdorfer has a coherent product range for manufacturing, expanding, renewing or repairing distribution cabinets.

availabilities

- *available as standard (see order no.)*
- *optionally available*
- *variant or order no. on request
(availability depending on the required quantity)*

Lever lock SHS

Lever lock for the installation of half cylinders according to DIN 18252.



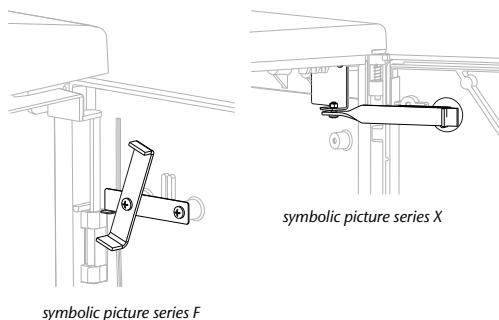
Type/Description	Features	Order no.
lever lock SHS-EZ, sealable, black	- for 1 half cylinder with 40/45/50 mm overall length - external length up to tapped hole 30 to 42 mm - material: PA	3327
lever lock SHS-DZ, sealable, black	- for 2 half cylinders with 40/45 mm overall length - external length up to tapped hole 30 to 37 mm - material: PA - without half cylinder only openable with building key for SHS-DZ	3327.DZ

Locks / Keys



Type/Description	Features	Order no.
half cylinder EHZ 61005 (SHS)	-	9405704
half cylinder EHZ 61005 (KPU)	especially for plastic case lock KPU	9405703
half cylinder EHZ H36000, with 3 keys	-	35230
half cylinder EHZ DRK 8,0	-	52242
key 61005	for lock 61005	34086
key DRK 8,0	for lock DRK 8,0	52243
triangular socket wrench 8,0	for pillar series 100	43269
building key	building key for lever lock SHS-DZ	10005735

Door stay



Type/Description	Features	Order no.
door stay series X, right	door holder, metal	10018045
door stay series X, left	door holder, metal	10018052
door stay series F, right	door holder, metal	10030939
door stay series F, left	door holder, metal	10030938

Cabinet ventilation



Type/Description	Features	Order no.
ventilation labyrinth IP54, RAL7035	outer diameter 67 mm; degree of protection IP 54 (incl. filter insert); material: polyamid; color: RAL 7035; e.g. as anti-condensate measure	10010131
Pressure compensation device, IP55, RAL7035	outer diameter 67 mm; degree of protection IP 55; material: plastic according to UL94 V-0; color: RAL 7035; PU 2 pcs.; e.g. as anti-condensate measure	50852.1
ventilation grid 160x160 IP44 cpl, RAL7035	ext. dimensions 160x160 mm; degree of protection IP 44; material: ABS; color: RAL 7035	9407650
ventilation grid 160x160 IP44 cpl, RAL7032	ext. dimensions 160x160 mm; degree of protection IP 44; material: ABS; color: RAL 7032	9407933
filter fan 60m ³ /h 230V 150x150 IP54, RAL 7035, SET	ext. dimensions 150x150x86 mm; degree of protection IP 54; material: plastic; color: RAL 7035; incl. temp. controller and outlet filter	1535
outlet filter 150x150 IP 54, RAL 7035	ext. dimensions 150x150x37 mm; degree of protection IP 54; material: plastic; color: RAL 7035; incl. filter insert	1534

Cabinet heaters

Type/Description	Features	Order no.
cabinet heater 45 W, incl. temp. controller (6A LSS)	incl. 6 A fuse	1028.1

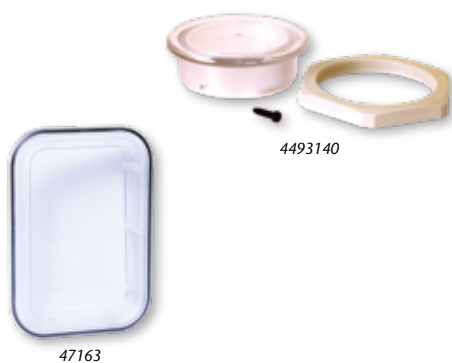
Cabinet lights

Lightning bar for cabinets from ELSTA Mosdorfer with E14 energy saving lamp 7 W with splinter protection, D01-Fuse 16 A (E14) and on-/off-switch or door contact switch, completely as a set. Caution: The schuko sockets are designed without RCD!



Type/Description	Features	Order no.
lightning bar for series X, AS	with on-/off-switch, for size 0/1/2	10016631
lightning bar for series X, AS, SK	with on-/off-switch and schuko socket 230 V 16 A blue, for size 0/1/2	10004415
lightning bar for series X, TK	with door contact switch, for size 0/1/2	10037761
lightning bar for series X, TK, SK	with door contact switch and schuko socket 230 V 16 A blue, for size 0/1/2	10018678
lightning bar for series F, AS	with on-/off-switch	10037868
lightning bar for series F, AS, SK	with on-/off-switch and schuko socket 230 V 16 A blue	10037869
lightning bar for series F, TK, SK	with door contact switch	10037865
lightning bar for series F, TK, SK	with door contact switch and schuko socket 230 V 16 A blue	10037866
lightning bar for pillars 320/340, AS, SK	with on-/off-switch and schuko socket 230 V 16 A blue	10051238
lightning bar for pillars 320/340, TS, SK	with door contact switch and schuko socket 230 V 16 A blue	10051239

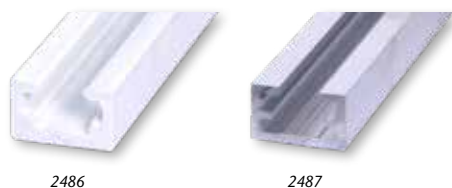
Viewing windows



Type/Description	Features	Order no.
viewing window D75 (e.p. for SPD)	<ul style="list-style-type: none"> - external diameter 75 mm - degree of protection IP 44 - material: polycarbonat - complete with lock nut and locking pin - UV-stabilized 	4493140
viewing window 100x150 (e.p. for meters)	<ul style="list-style-type: none"> - viewing window with frame - ext. dimensions 125x175 mm - degree of protection IP 65 - material: polycarbonat - complete with clamping rings and sealing - UV-stabilized 	47163

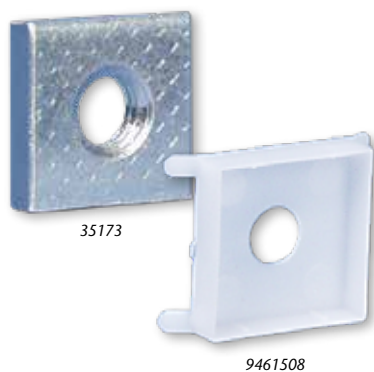
Profile rails

Construction profile for universal cabinet interior design.



Type/Description	Features	Order no.
profile rail FRK-C, (reinforced plastic), 3 meters	profile cross-section 25x15 mm, length 3000 mm	2486
profile rail ALDUR (aluminium), 3 meters	profile cross-section 25x15 mm, length 3000 mm	2487

Threaded plates for profile rails



Type/Description	Features	Order no.
threaded plate M4, galvanized	for bolts M4, dimensions 18x18x4 mm	35177
threaded plate M5, galvanized	for bolts M5, dimensions 18x18x4 mm	35171
threaded plate M6, galvanized	for bolts M6, dimensions 18x18x4 mm	35172
threaded plate M8, galvanized	for bolts M8, dimensions 18x18x4 mm	35173
threaded plate M10, galvanized	for bolts M10, dimensions 18x18x4 mm	34163
plastic cage for threaded plates	for threaded plates 18x18x4 mm, M4 - M10	9461508

Document holder



71073.1

Type/Description	Features	Order no.
document holder A4, self-adhesive	for DIN A4 documents, plastic, RAL 7035	71073.1

Meter board



34267

Type/Description	Features	Order no.
meter board Elsta (ZP-E)	plastic meter board acc. to Austrian Standard incl. bolts and sealing screws. RAL 7035	34267

Fastening material



2604



9464418



9460594



35169

Type/Description	Features	Order no.
insulating screw bushing 4 pcs.	To obtain protection class II when screwing through the cabinet wall. Suitable for screws / bolts max. M8.	2604
insulation nut M8 A2, SW24	Stainless steel nut M8x15 with electrically insulating cover.	9464418.1
insulation nut M10 A2, SW24	Stainless steel nut M10x15 with electrically insulating cover.	9464418
plastic washer KDK for M8	external diameter 30 mm, material thickness 4 mm	9460594
plastic washer KDK for M10	external diameter 30 mm, material thickness 4 mm	9460594.1
thread insert M6x12,5 MS Dodge	brass-thread insert for fastening options e.g. in pillars 310-340	35169
thread insert M8x16 MS Dodge	brass-thread insert for fastening options e.g. in pillars 306/308	51842
button head screw 5,5x16 A2 MK	self tapping screw with PZ, stainless steel with notch for fixing domes with Ø 4,7 mm	51326

Insulating sheets



symbolic picture

Type/Description	Features	Order no.
thermoplastic plate 2000x1000x2 (PVC)	RAL 7035, 2mm, 1 pcs. = 2 m ²	50676
thermoplastic plate 2000x1000x3 (PVC)	RAL 7035, 3mm, 1 pcs. = 2 m ²	50645
thermoplastic plate 2000x1000x4 (PVC)	RAL 7035, 4mm, 1 pcs. = 2 m ²	34047
thermoplastic plate 2000x1000x5 (PVC)	RAL 7035, 5mm, 1 pcs. = 2 m ²	34053

V connection taps

Copper connection flaps (nickel plated) for V direct connection clamps.



9470517



9472672 (angled)



9471500 (cranked up)



9471193 (cranked down)



9471130

Type/Description	Features	Order no.
flap V 95 ² /3/M8	for attachment M8 (borehole Ø 9,5 mm), material thickness 3 mm	9470517
flap V 95 ² /3/M12	for attachment M12 (borehole Ø 13 mm), material thickness 3 mm	9471138
flap V 240 ² /4/M12/10°	for attachment M12 (borehole Ø 13 mm), material thickness 4 mm, 10° angled	9472579
flap V 240 ² /4/M12/20°	for attachment M12 (borehole Ø 13 mm), material thickness 4 mm, 20° angled	9472672
flap V 240 ² /4/M12/ ho=25 mm	for attachment M12 (borehole Ø 13 mm), material thickness 4 mm, cranked up	9471500
flap V 240 ² /4/M12/ hu=25 mm	for attachment M12 (borehole Ø 13 mm), material thickness 4 mm, cranked down	9471193
connecting bridge V 2x95 ² /3/2xM8	2x connection 95 ² , attachment 2xM8 (2x borehole Ø 9,5 mm), mat. thickness 3 mm	9471130
connecting bridge V 2x95 ² /3/2xM8, 1xM12	2x connection 95 ² , attachment 2xM8 (2x borehole Ø 9,5 mm) or 1xM12 (borehole Ø 12,5 mm), mat. thickness 3 mm	9471130.2
connecting bridge V 2x240 ² /4/3xM8	2x connection 240 ² , attachment 3xM8 (3x borehole Ø 9,5 mm), mat. thickness 4 mm	9471131
connecting bridge V 2x240 ² /4/4xM8	2x connection 240 ² , attachment 4xM8 (4x borehole Ø 9,5 mm), mat. thickness 4 mm	9471132
T-joint V 95 ² /2,5/2xM8	1x connection 95 ² , attachment 2xM8 (2x borehole Ø 9,5 mm), mat. thickness 2,5 mm	9470458

V direct connection clamps

Aluminium V direct connection clamp for aluminium- and copper conductors.



9404650

Type/Description	Features	Order no.
clamp V 10-95 ²	- clamping area: 10-95 mm ² se, sm, re, rm (Al, Cu) - tightening torque: 12 Nm	9404650
clamp V 35-185/240 ²	- clamping area: 35-240 mm ² se, sm; 35-185 mm ² re, rm (Al, Cu) - tightening torque: 25 Nm	9405185
clamp V 70-240 ²	- clamping area: 70-240 mm ² se, sm, re, rm (Al, Cu) - tightening torque: 25 Nm	9405794

Touch protection covers für V clamps



9464561

Type/Description	Features	Order no.
protection cover for clamp V 95 ²	- material: PA 6.6 - color RAL 3020 (traffic red)	9464561
protection cover for clamp V 240 ²	- material: PA 6.6 - color RAL 3020 (traffic red)	9462445

V clamp + Tabs SET



0107

Type/Description	Features	Order no.
clamp + tab V 10-95 ²	M8, 3mm	0108
clamp + tab V 35-185/240 ²	M12, 4mm, 10°	0107
clamp + tab V 70-240 ²	M12, 4mm, 20°	0107.1

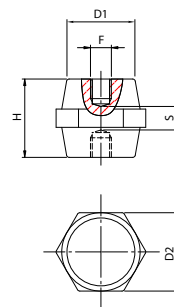
Low voltage standoff insulators

The standoff insulators are made of hot pressed, glass fiber reinforced polyester with galvanized steel thread inserts. They are easy to assemble and using an open-end wrench. They are characterized by high mechanical strength, very good tracking resistance and by extraordinary resistance to chemical and corrosive strain.

material properties

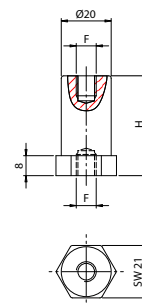
Features	
water absorption	< 0,2 % (DIN 53495)
heat deflection temperature	>200 °C (DIN EN ISO 75)
flammability	V0 score (UL 94)
color	RAL 3002, red
thrad inserts	galvanized steel
ambient temperature	- 40 °C to + 130 °C

Series DB/P



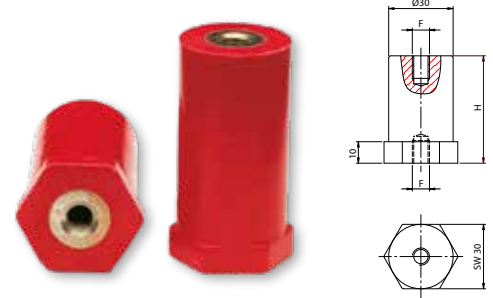
Type	PU pcs.	F	H [mm]	D1 [mm]	D2 [mm]	S [mm]	Service voltage [V]	Test voltage [kV]	Tensile str. [N]	Cantilever str. [N]	Tightening torque [Nm]	Order no.
SK 30 30 M6	80	M6	30	26	30	8	1500	10	6000	3000	12	4172003006T
SK 30 30 M8	80	M8	30	26	30	8	1500	10	7000	3000	20	4172003008T
SK 41 45 M8	27	M8	45	35	41	15	2000	15	12000	8000	20	4172004508
SK 41 45 M10	27	M10	45	35	41	15	2000	15	12000	8000	40	4172004510
SK 41 45 M12	27	M12	45	35	41	15	2000	11	12000	8000	70	4172004512

Series CO/P



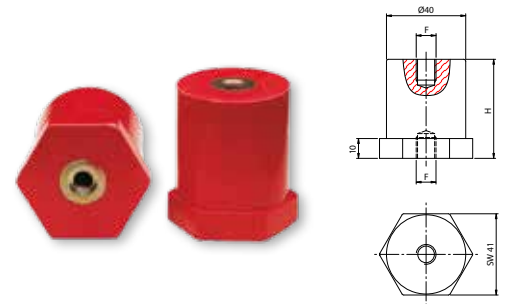
Type	PU pcs.	F	H [mm]	SW	Service voltage [V]	Test voltage [kV]	Tensile str. [N]	Cantilever str. [N]	Tightening torque [Nm]	Order no.
SR 21 30 M6	140	M6	30	SW 21	750	8	4000	2000	4,5	4172203006
SR 21 40 M6	110	M6	40	SW 21	1500	8	4000	1500	4,5	4172204006T
SR 21 60 M6	70	M6	60	SW 21	1500	10	5000	1000	4,5	4172206006T

Series CS/P



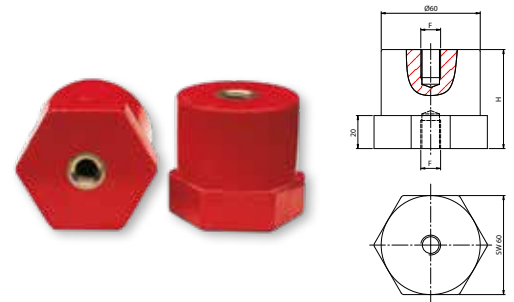
Type	PU pcs.	F	H [mm]	SW	Service voltage [V]	Test voltage [kV]	Tensile str. [N]	Cantilever str. [N]	Tightening torque [Nm]	Order no.
SR 30 30 M6	80	M6	30	SW 30	750	8	9000	4500	12	4172303006T
SR 30 40 M6	60	M6	40	SW 30	1000	10	9000	3000	12	4172304006T
SR 30 30 M8	80	M8	30	SW 30	750	8	9000	4500	20	4172303008
SR 30 40 M8	60	M8	40	SW 30	1000	10	9000	3000	14	4172304008T
SR 30 60 M8	40	M8	60	SW 30	1500	15	9000	1500	14	4172306008T
SR 30 40 M10	60	M10	40	SW 30	1000	10	9000	3000	40	4172304010

Series CT/P



Type	PU pcs.	F	H [mm]	SW	Service voltage [V]	Test voltage [kV]	Tensile str. [N]	Cantilever str. [N]	Tightening torque [Nm]	Order no.
SR 41 40 M8	27	M8	40	SW 41	1000	10	10000	7000	20	4172404008T
SR 41 40 M10	27	M10	40	SW 41	1000	10	10000	7000	40	4172404010T
SR 41 60 M10	18	M10	60	SW 41	1500	15	16000	4000	40	4172406010T
SR 41 40 M12	27	M12	40	SW 41	1000	10	10000	7000	35	4172404012T
SR 41 60 M12	18	M12	60	SW 41	1500	15	16000	4000	70	4172406012T

Series CPE



Type	PU pcs.	F	H [mm]	SW	Service voltage [V]	Test voltage [kV]	Tensile str. [N]	Cantilever str. [N]	Tightening torque [Nm]	Order no.
SR 60 60 M12	10	M12	60	SW 60	3000	15	15000	7000	70	4172606012
SR 60 60 M16	10	M16	60	SW 60	3000	15	15000	7000	70	4172606016



In the event of dirtying, visible glass fibres or graffiti on polyester cabinets

Painting and cleaning sets are available for cleaning, refreshing and renewing weathered and soiled polyester cabinet surfaces.

High-quality sets for paint repair and for repairing and cleaning the surface of cable distribution cabinets

The paints and cleaning agents from ELSTA Mosdorfer have a variety of uses. We offer practical repair and cleaning kits for use on the spot in the right color and quantity.

Paint-repair set for KVS

Paint-repair set for polyester cabinets

- For cleaning, refreshing and painting weathered and dirty polyester cabinet surfaces.
- For renewing the cabinet surface in case of glass fiber visible.
- For covering graffiti and poster adhesive residues which cannot be removed by cleaning.
- Extends the UV resistance and thus the "look-good" lifespan of the cabinet surface considerably.



3006

Type/Description	Features	Order no.
paint-repair set for KVS RAL 7032	scope of delivery: - top coat RAL 7032, hardener and thinner for 6 m ² cabinet surface - cleaning sponge and 2x microfiber cloth for cleaning and pretreatment - Tesa masking tape - mixing cup and stir bar to mix the required amount - paint tray, paint roller and brush for application - work instruction with quantity specification - sticker lightning symbol, ELSTA logo, protection class II	3006.7032
paint-repair set for KVS RAL 7035	scope of delivery: - top coat RAL 7035, hardener and thinner for 6 m ² cabinet surface - cleaning sponge and 2x microfiber cloth for cleaning and pretreatment - Tesa masking tape - mixing cup and stir bar to mix the required amount - paint tray, paint roller and brush for application - work instruction with quantity specification - sticker lightning symbol, ELSTA logo, protection class II	3006

Follow the safety Instructions!

Cleaning agent for KVS (antigraffiti)

Ready-to-use gel for removing spray paint, paints and felt-tip markers (graffiti).

- works best on surfaces with factory-provided anti-graffiti painting.
- if the surface is heavily soiled, we recommend repainting the surface with the repair set.
- consumption depending on the surface and the degree of pollution 0,1 - 0,4 l/m².



3235

Type/Description	Features	Order no.
cleaning paste for KVS, 1 liter	additionally needed: - brush or roller to apply - cover film to prevent drying out during the exposure time - sponge or cloth to rub off the treated area	3235

Follow the safety Instructions!

ATTACHMENT

Content

Dimensional drawings

Register

Page

A03

A107

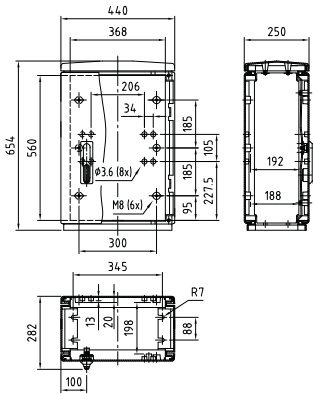
availabilities

- *available as standard (see order no.)*
- *optionally available*
- *variant or order no. on request*
(availability depending on the required quantity)

440x650

WxH

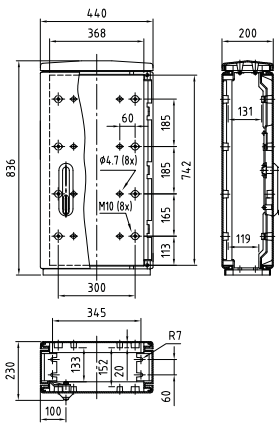
Depth 250, series F, flat
F3/1 650/250



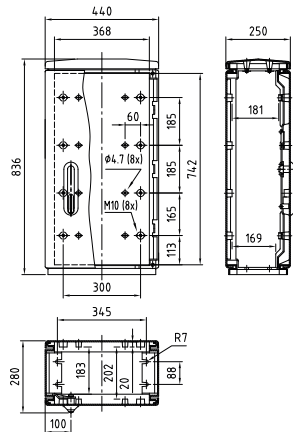
440x850

WxH

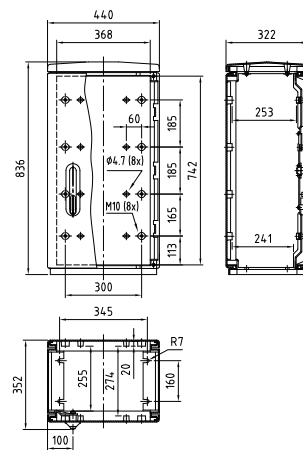
Depth 200, series F, flat
F3/1 850/200



Depth 250, series F, flat
F3/1 850/250



Depth 320, series F, flat
F3/1 850/320

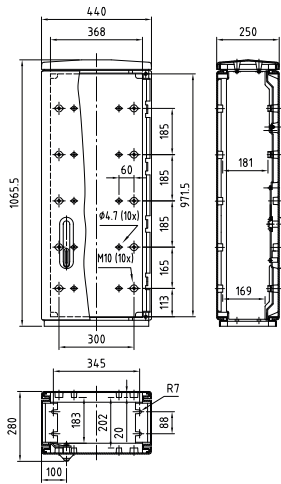


variants: 1/2-1/2 doors 1/3-2/3 doors 2/3-1/3 doors

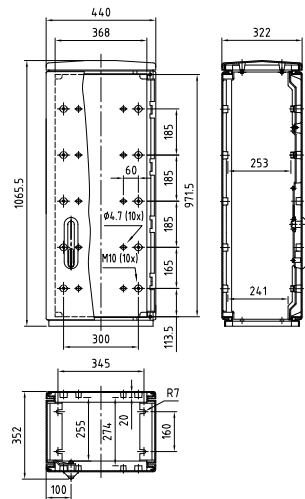
440x1080

WxH

Depth 250, series F, flat
 F3/1 1080/250



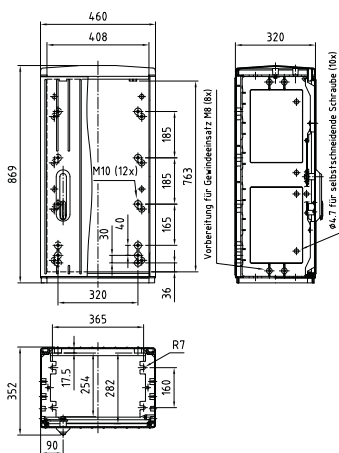
Depth 320, series F, flat
 F3/1 1080/320

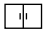
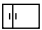
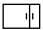


460x850

WxH

Depth 320, series X, ribbed
 X00 850/320

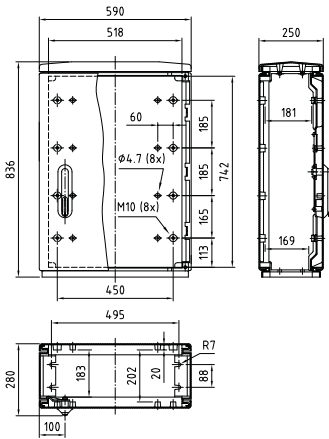


variants:  1/2-1/2 doors  1/3-2/3 doors  2/3-1/3 doors

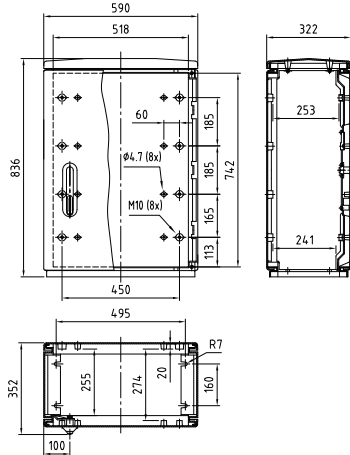
590x850

WxH

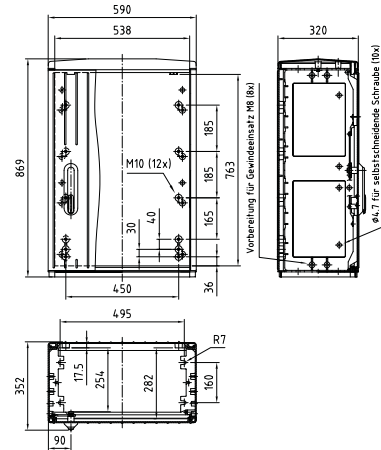
Depth 250, series F, flat
F4 850/250



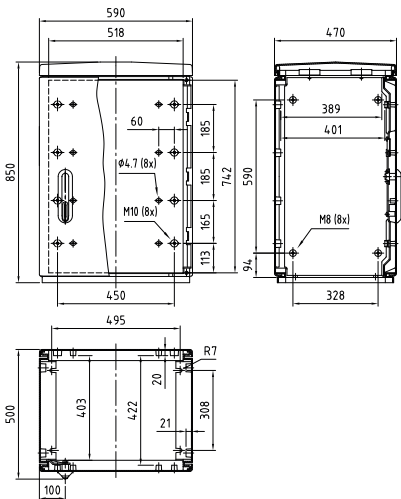
Depth 320, series F, flat
F4 850/320



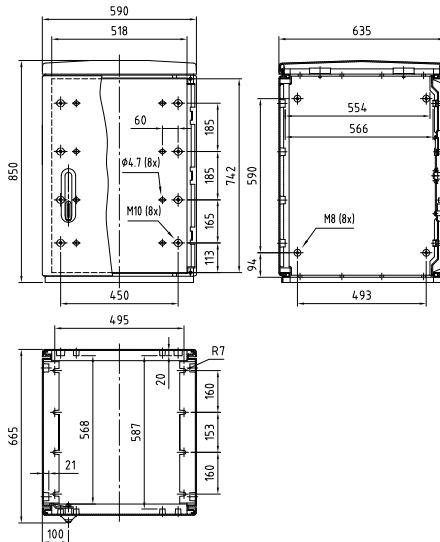
Depth 320, series X, ribbed
X0 850/320



Depth 470, series F, flat
F4 850/470



Depth 635, series F, flat
F4 850/635

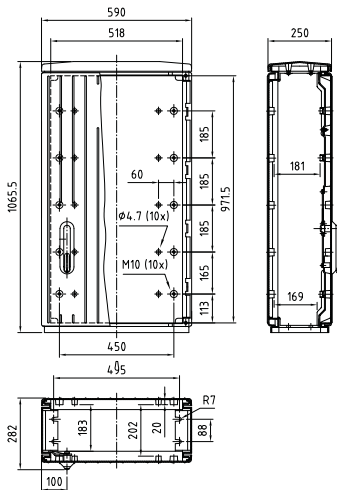


variants: 1/2-1/2 doors 1/3-2/3 doors 2/3-1/3 doors

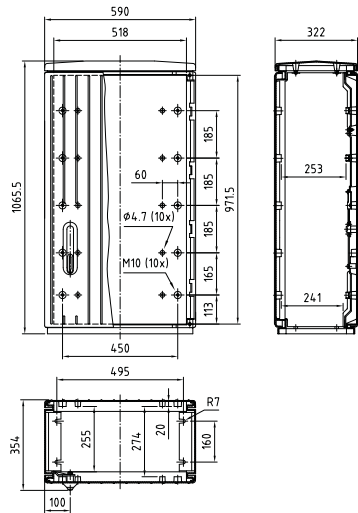
590x1080

WxH

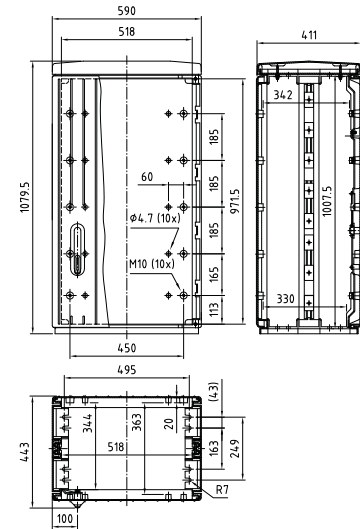
Depth 250, series F, flat / ribbed
 F4 1080/250



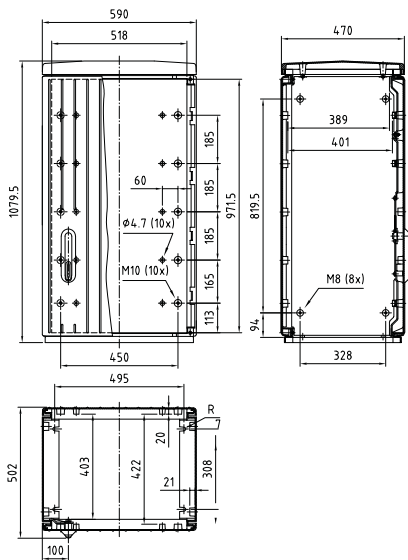
Depth 320, series F, flat / ribbed
 F4 1080/320



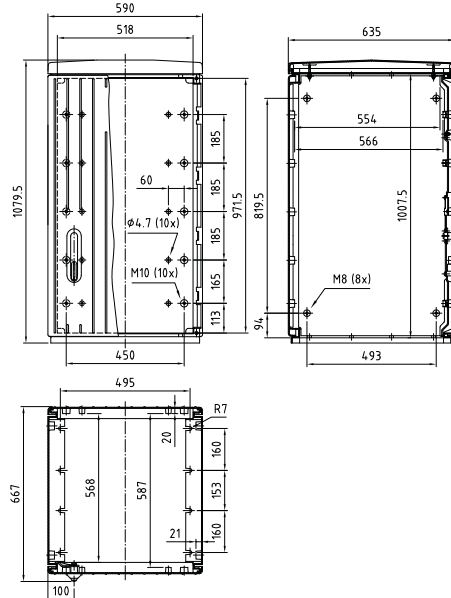
Depth 412, series F, ribbed
 F4 1080/412

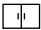
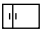
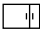


Depth 470, series F, flat / ribbed
 F4 1080/470



Depth 635, series F, flat / ribbed
 F4 1080/635

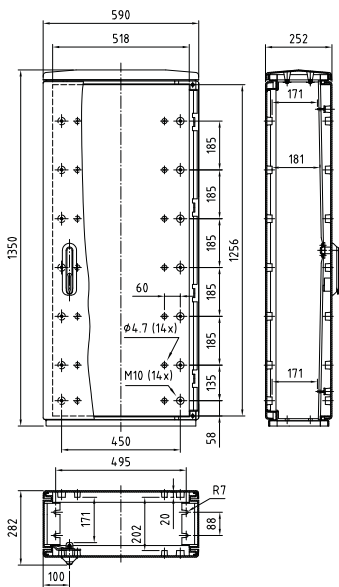


variants:  1/2-1/2 doors  1/3-2/3 doors  2/3-1/3 doors

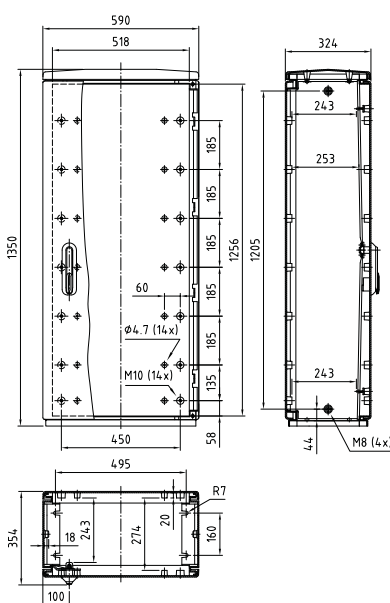
590x1350

WxH

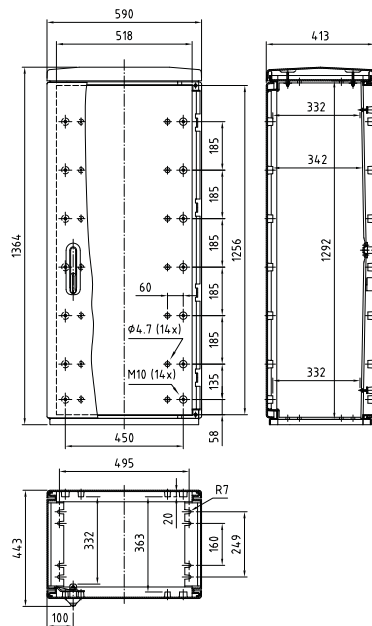
Depth 250, series F, flat
F4 1350/250



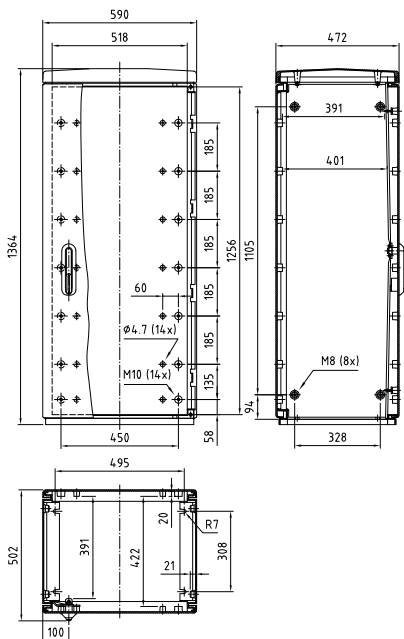
Depth 320, series F, flat
F4 1350/320



Depth 412, series F, flat
F4 1350/412



Depth 470, series F, flat
F4 1350/470



variants: 1/2-1/2 doors 1/3-2/3 doors 2/3-1/3 doors

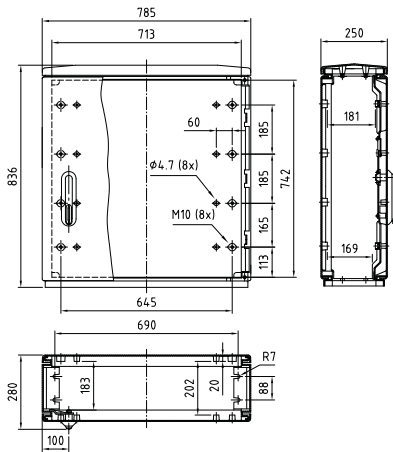
785x850

WxH

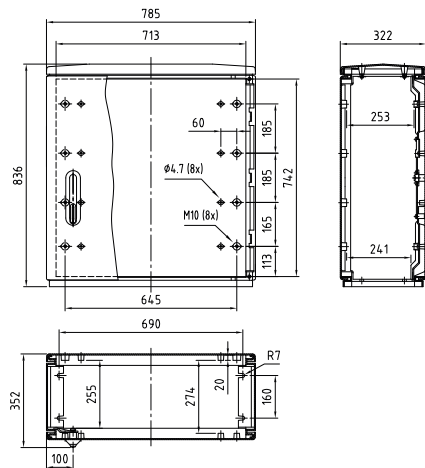
Internal width at door partition left / right

	338,5 mm / 338,5 mm
	218 mm / 458 mm
	458 mm / 218 mm

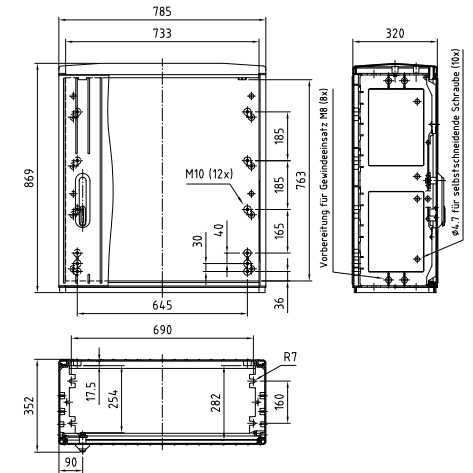
Depth 250, series F, flat
 F5 850/250



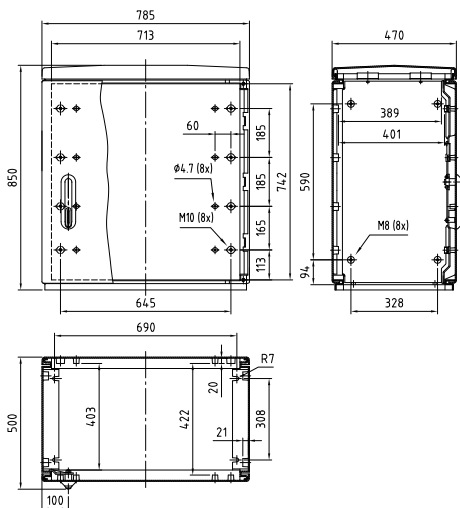
Depth 320, series F, flat
 F5 850/320



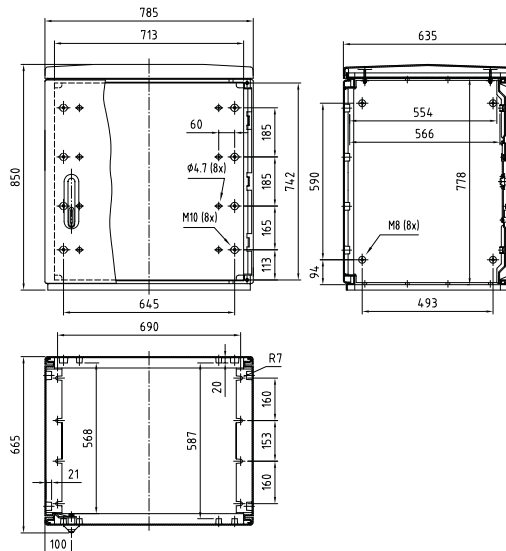
Depth 320, series X, ribbed
 X1 850/320



Depth 470, series F, flat
 F5 850/412



Depth 635, series F, flat
 F5 850/635



variants: 1/2-1/2 doors 1/3-2/3 doors 2/3-1/3 doors

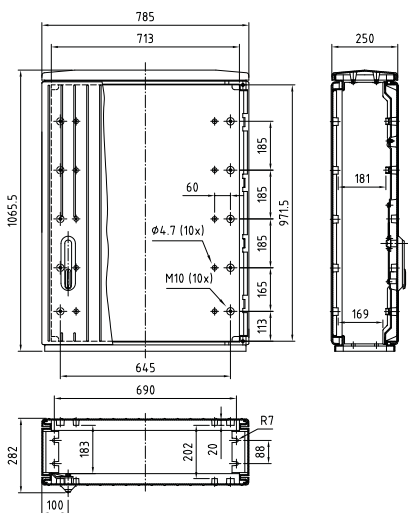
785x1080

WxH

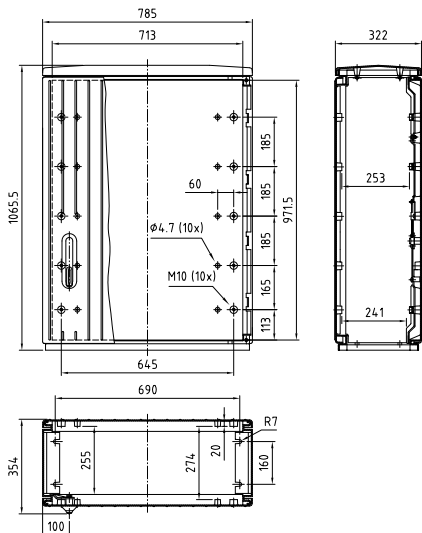
Internal width at door partition left / right

	338,5 mm / 338,5 mm
	218 mm / 458 mm
	458 mm / 218 mm

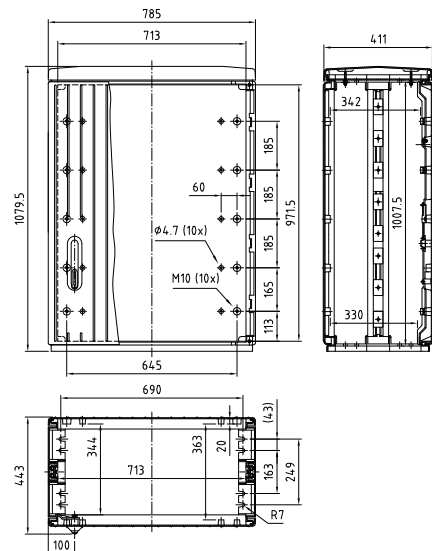
Depth 250, series F, flat / ribbed
F5 1080/250



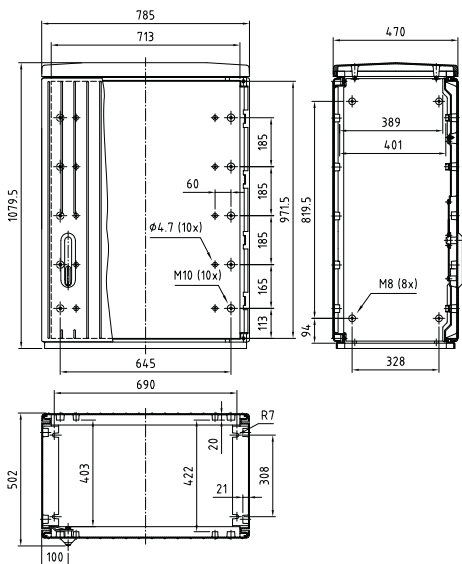
Depth 320, series F, flat / ribbed
F5 1080/320



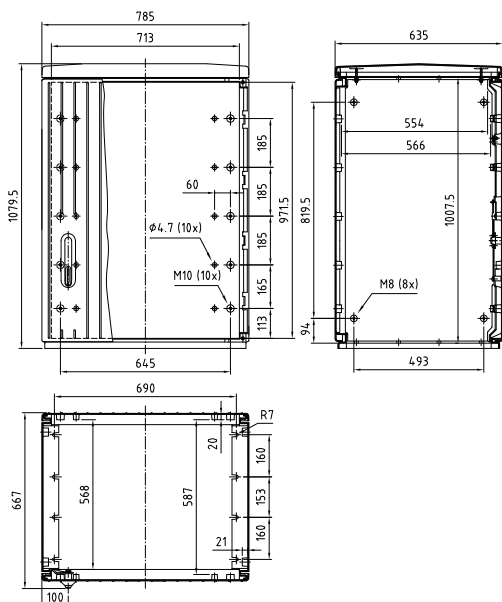
Depth 412, series F, ribbed
F5 1080/412



Depth 470, series F, flat / ribbed
F5 1080/470



Depth 635, series F, flat / ribbed
F5 1080/635



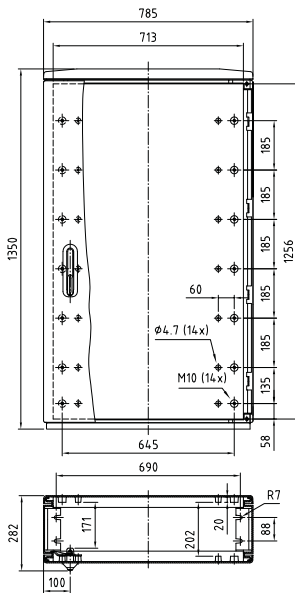
variants: 1/2-1/2 doors 1/3-2/3 doors 2/3-1/3 doors

785x1350

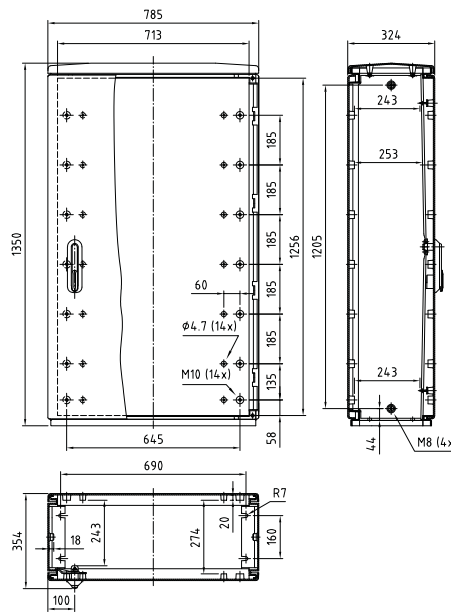
WxH

Internal width at door partition left / right

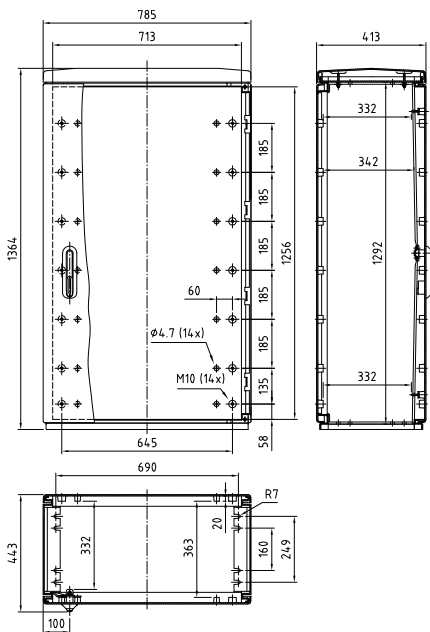
	338,5 mm / 338,5 mm
	218 mm / 458 mm
	458 mm / 218 mm



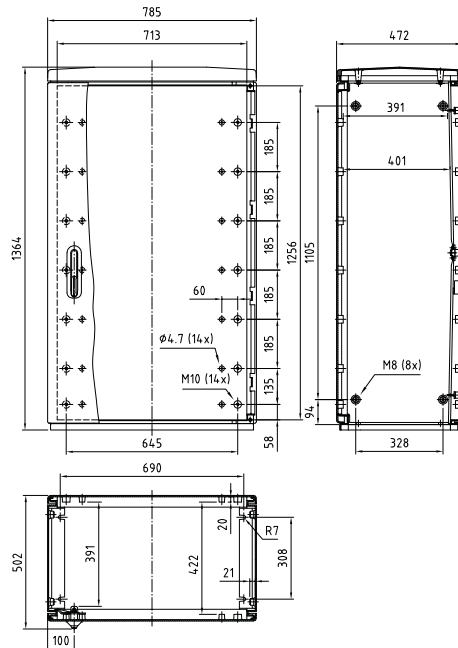
Depth 320, series F, flat F5 1350/320



Depth 412, series F, flat F5 1350/412



Depth 470, series F, flat F5 1350/470



variants: 1/2-1/2 doors 1/3-2/3 doors 2/3-1/3 doors

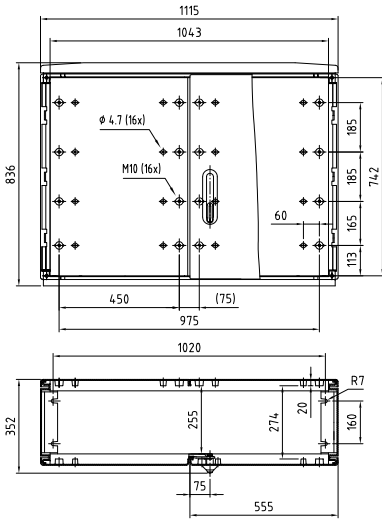
1115x850

WxH

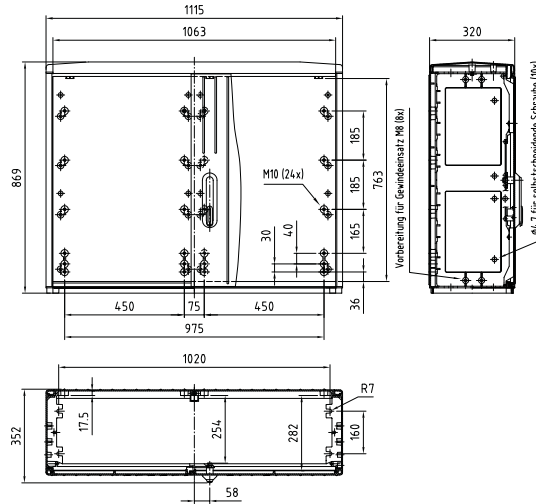
Internal width at door partition left / right

	503,5 mm / 503,5 mm
	297 mm / 710 mm
	710 mm / 297 mm

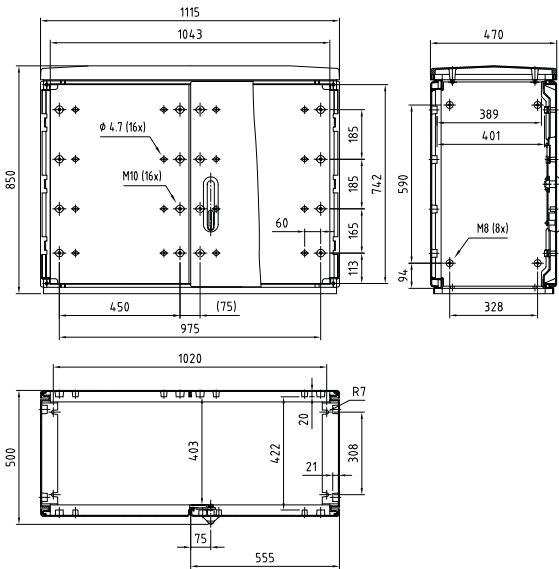
Depth 320, series F, flat
F6 850/320



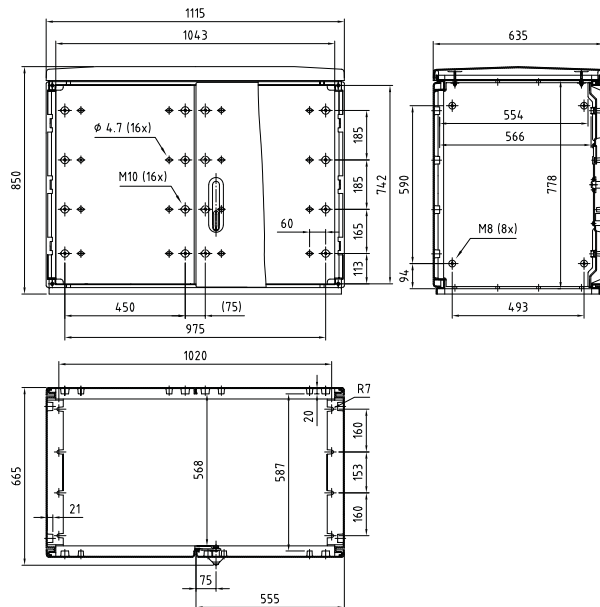
Depth 320, series X, ribbed
X2 850/320



Depth 470, series F, flat
F6 850/470



Depth 635, series F, flat
F6 850/635



variants: 1/2-1/2 doors 1/3-2/3 doors 2/3-1/3 doors

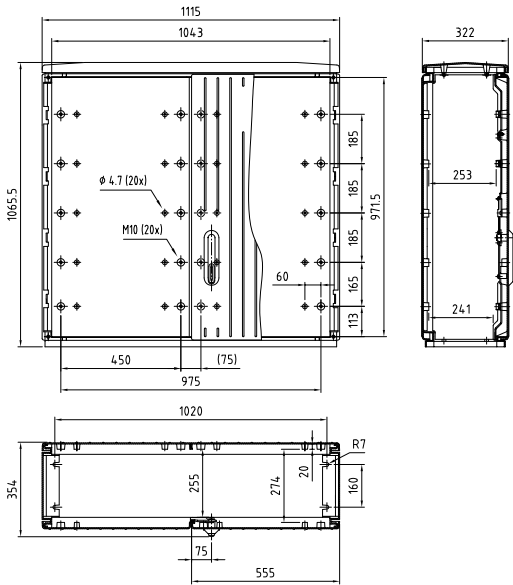
1115x1080

WxH

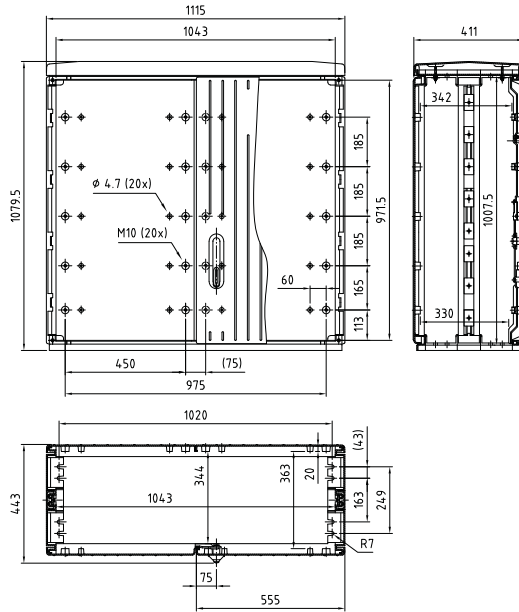
Internal width at door partition left / right

	503,5 mm / 503,5 mm
	297 mm / 710 mm
	710 mm / 297 mm

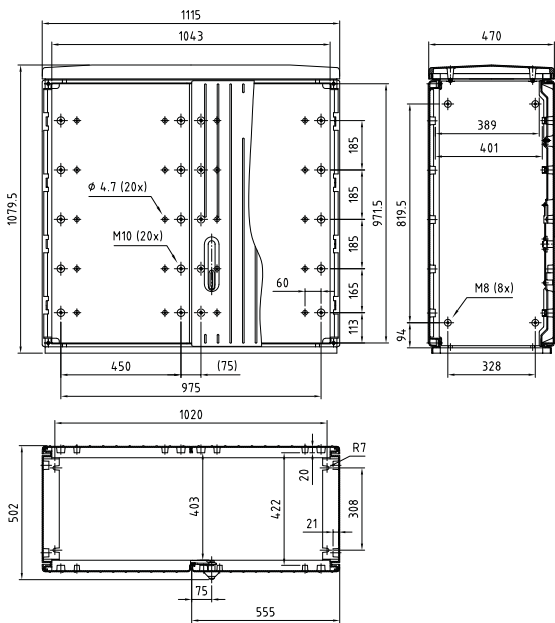
Depth 320, series F, flat / ribbed
F6 1080/320



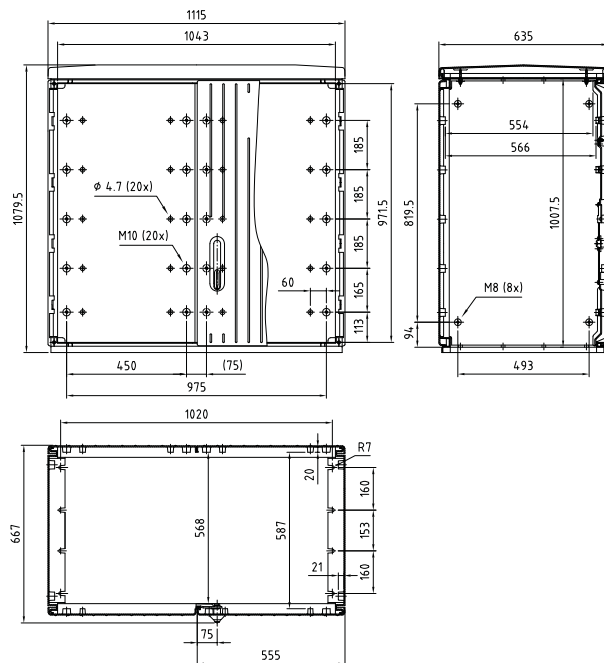
Depth 412, series F, ribbed
F6 1080/412



Depth 470, series F, flat / ribbed
F6 1080/470



Depth 635, series F, flat / ribbed
F6 1080/635



variants: 1/2-1/2 doors 1/3-2/3 doors 2/3-1/3 doors

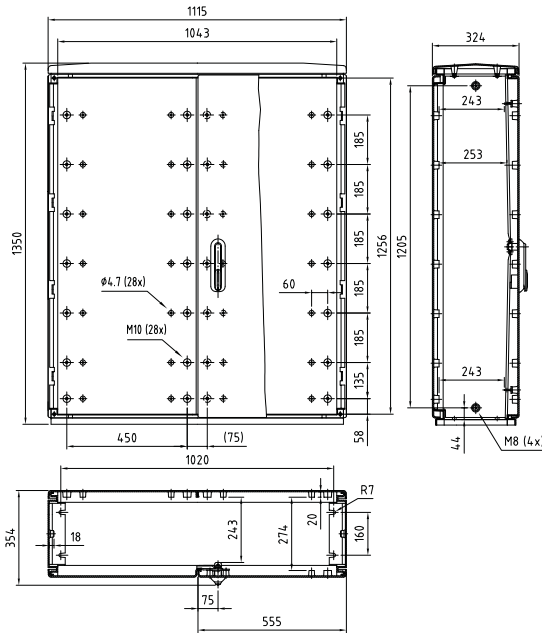
1115x1350

WxH

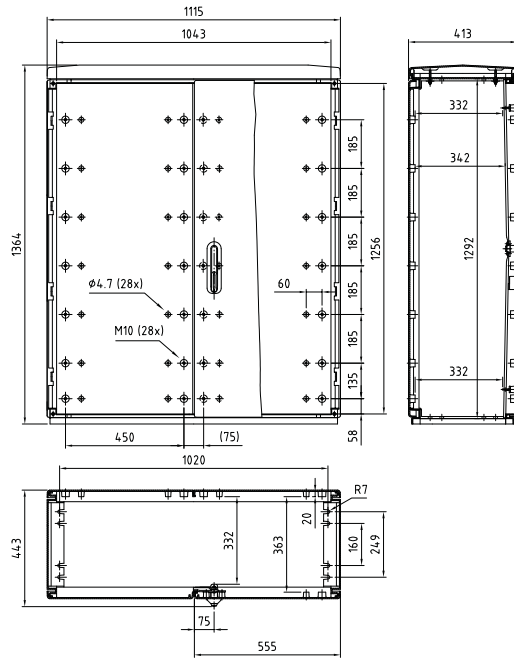
Internal width at door partition left / right

	503,5 mm / 503,5 mm
	297 mm / 710 mm
	710 mm / 297 mm

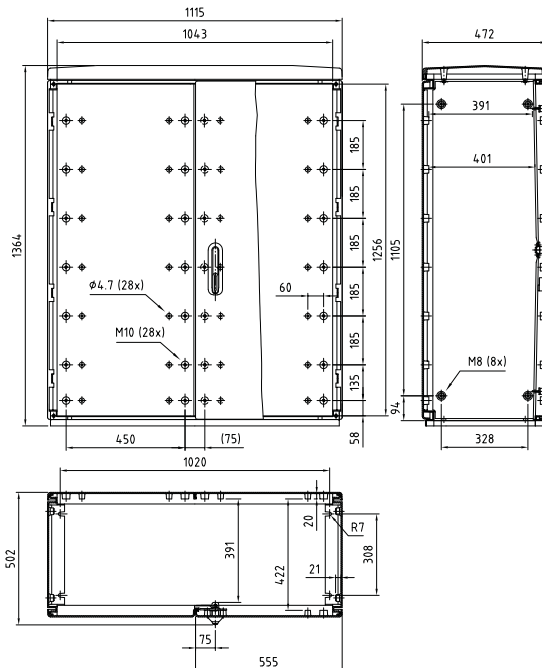
Depth 320, series F, flat F6 1350/320



Depth 412, series F, flat F6 1350/412




Depth 470, series F, flat F6 1350/470



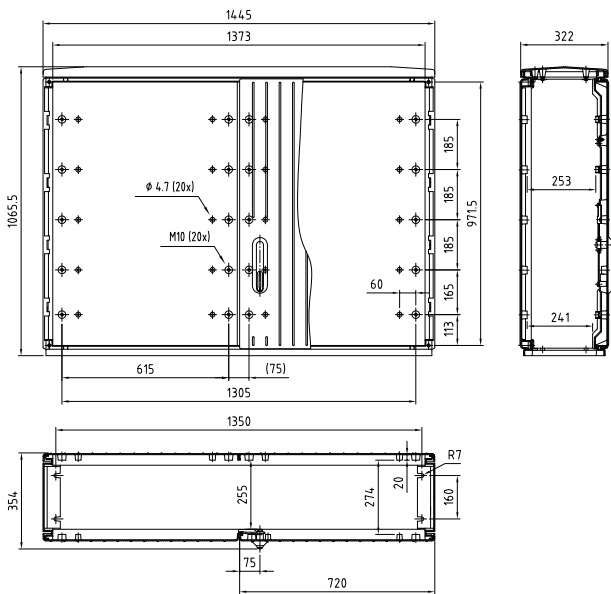
variants: 1/2-1/2 doors 1/3-2/3 doors 2/3-1/3 doors

1445x1080

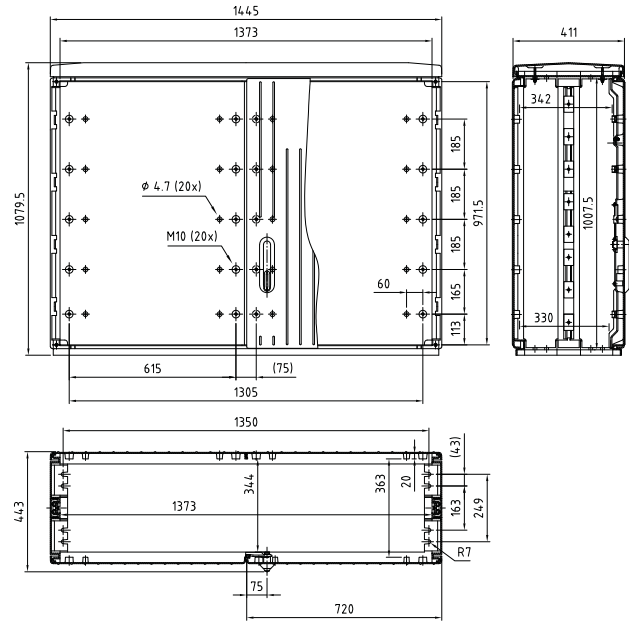
WxH

Internal width at door partition left / right
 668,5 mm / 668,5 mm

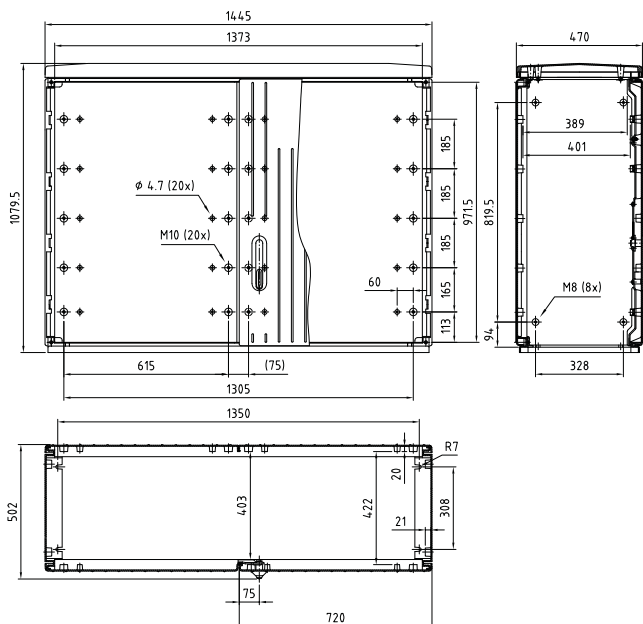
Depth 320, series F, ribbed
 X3 1080/320



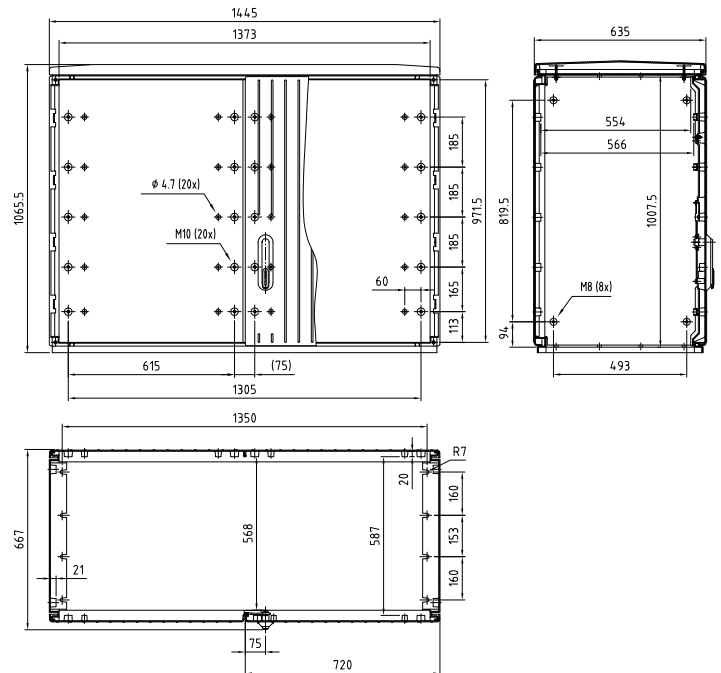
Depth 412, series F, ribbed
 X3 1080/412

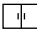
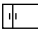
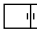


Depth 470, series F, ribbed
 X3 1080/470



Depth 635, series F, ribbed
 X3 1080/635



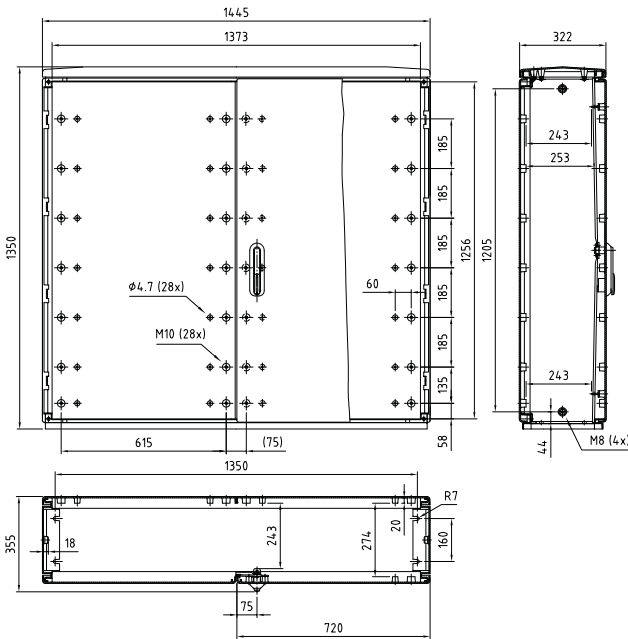
variants:  1/2-1/2 doors  1/3-2/3 doors  2/3-1/3 doors

1445x1350

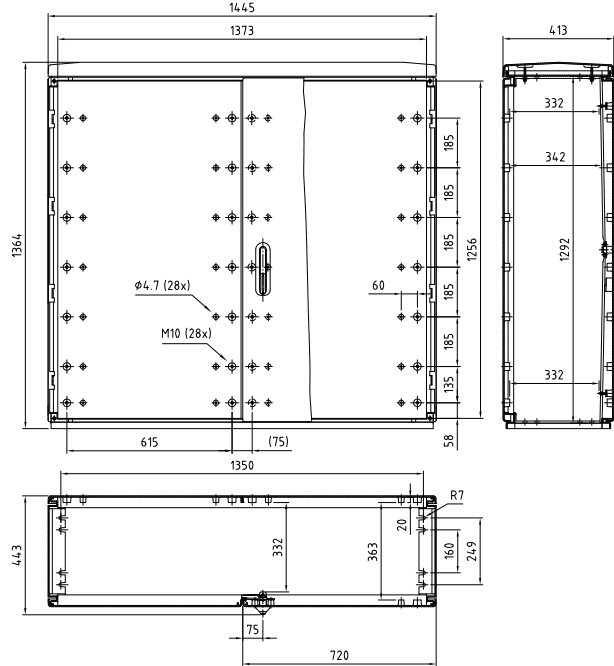
WxH

Internal width at door partition left / right
 668,5 mm / 668,5 mm

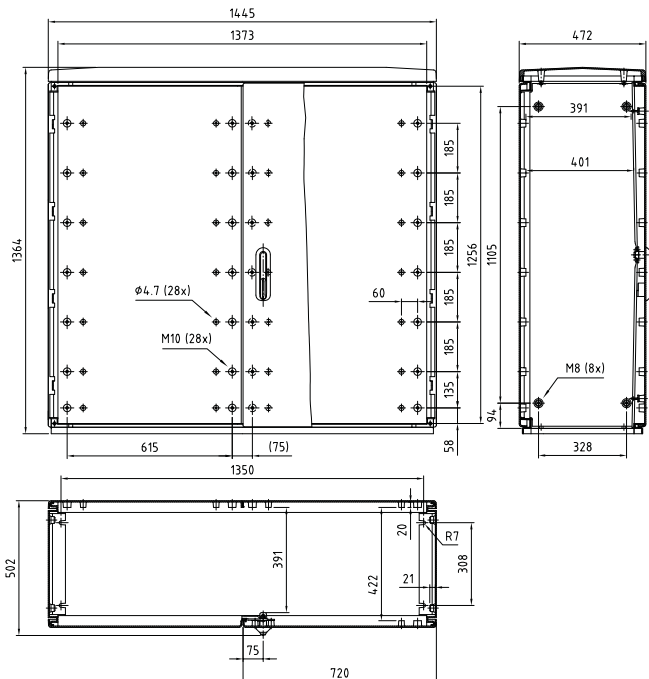
Depth 320, series F, flat
 X3 1350/320



Depth 412, series F, flat
 X3 1350/412



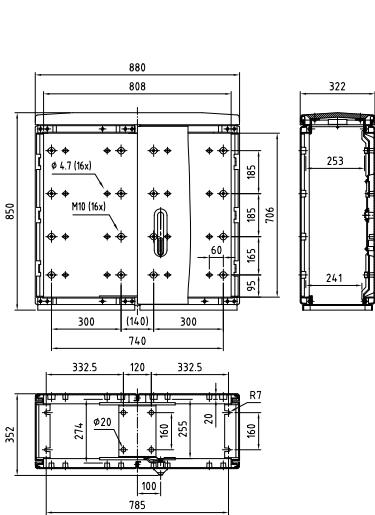
Depth 470, series F, flat
 X3 1350/470



variants: 1/2-1/2 doors 1/3-2/3 doors 2/3-1/3 doors

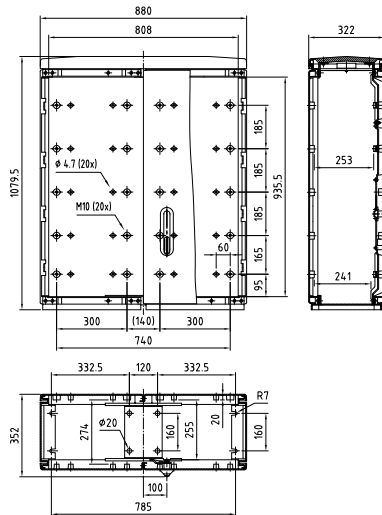
440-440
880x850
WxH

Depth 320, series F, flat
DB F3/1-F3/1 850/320



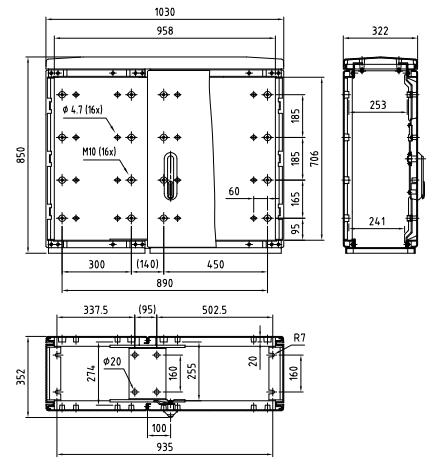
440-440
880x1080
WxH

Depth 320, series F, flat
DB F3/1-F3/1 1080/320



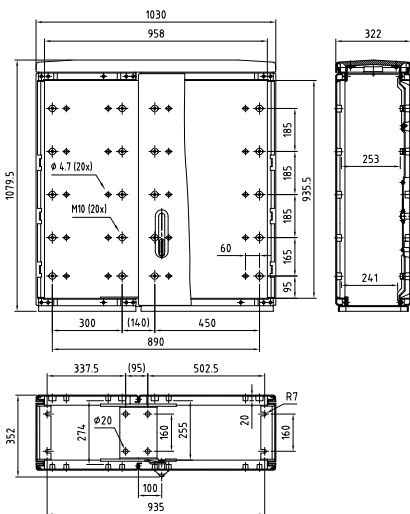
440-590
1030x850
WxH

Depth 320, series F, flat
DB F3/1-F4 850/320



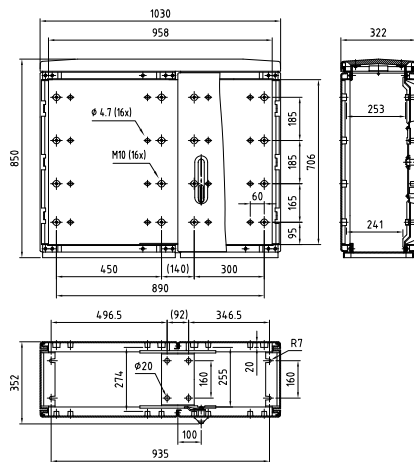
440-590
1030x1080
WxH

Depth 320, series F, flat
DB F3/1-F4 1080/320



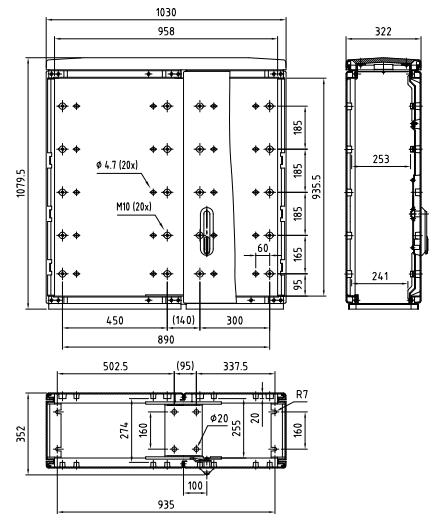
590-440
1030x850
WxH

Depth 320, series F, flat
DB F4-F3/1 850/320



590-440
1030x1080
WxH

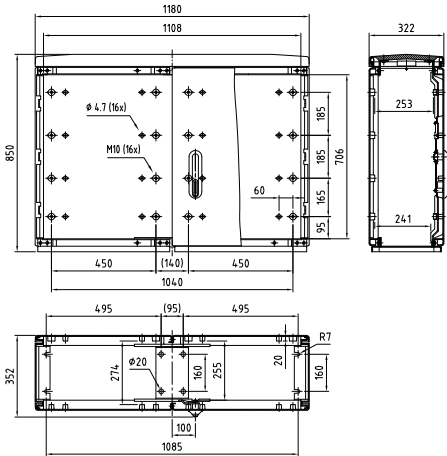
Depth 320, series F, flat
DB F4-F3/1 1080/320



590-590 1180x850

WxH

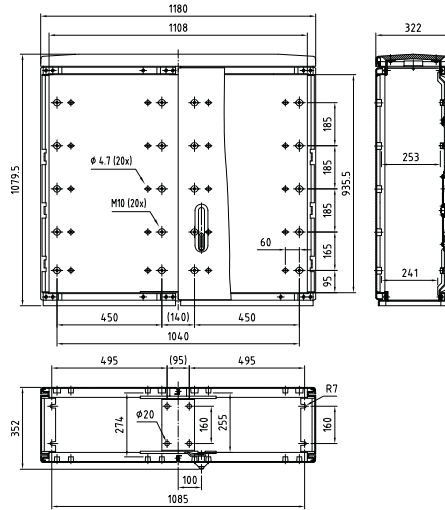
Depth 320, series F, flat
DB F4-F4 850/320



590-590 1180x1080

WxH

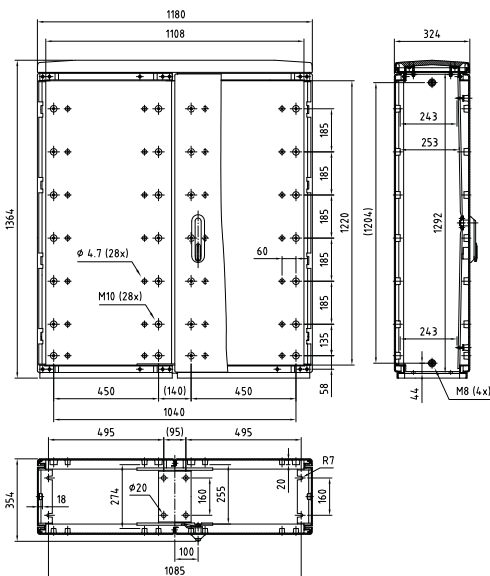
Depth 320, series F, flat
DB F4-F4 1080/320



590-590 1180x1350

WxH

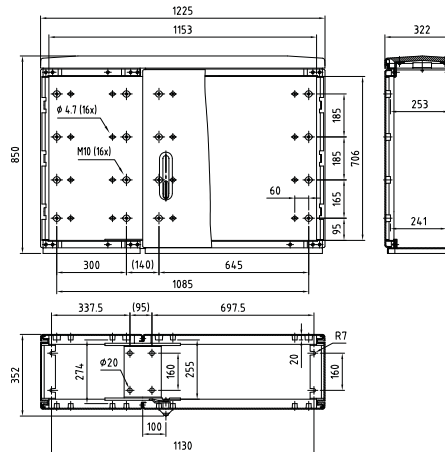
Depth 320, series F, flat
DB F4-F4 1350/320



440-785 1225x850

WxH

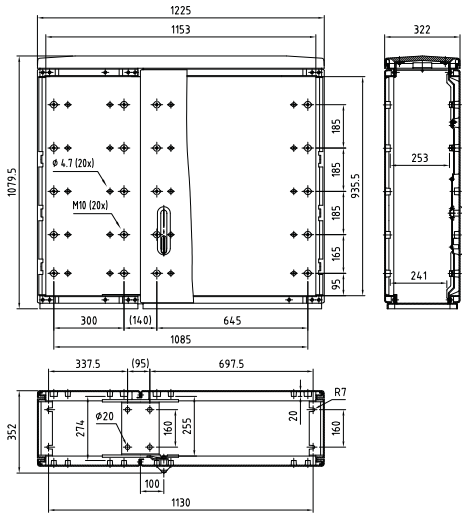
Depth 320, series F, flat
DB F3/1-F5 850/320



440-785 1225x1080

WxH

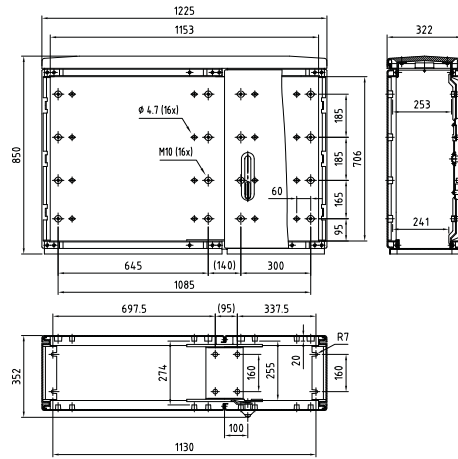
Depth 320, series F, flat
DB F3/1-F5 1080/320



785-440 1225x850

WxH

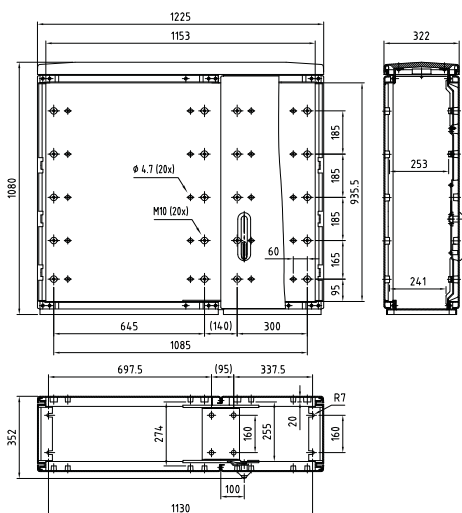
Depth 320, series F, flat
DB F5-F3/1 850/320



785-440 1225x1080

WxH

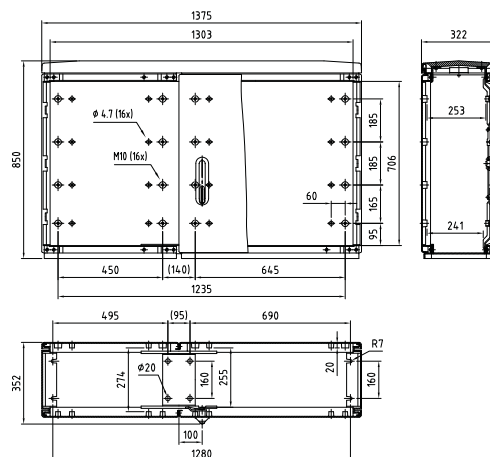
Depth 320, series F, flat
DB F5-F3/1 1080/320



590-785 1375x850

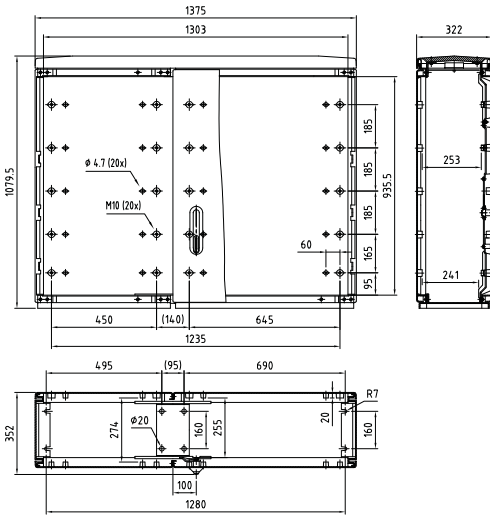
WxH

Depth 320, series F, flat
DB F4-F5 850/320

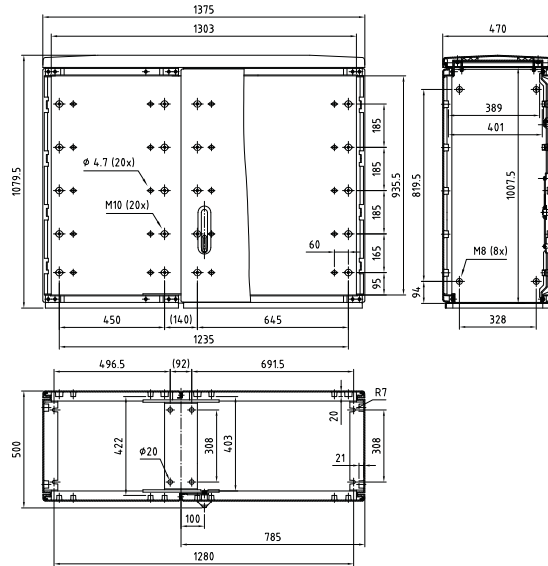


590-785 1375x1080 WxH

Depth 320, series F, flat
DB F4-F5 1080/320

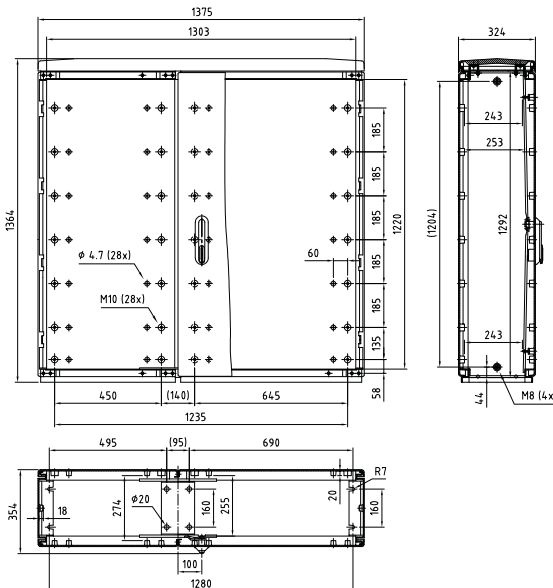


Depth 470, series F, flat
DB F4-F5 1080/470

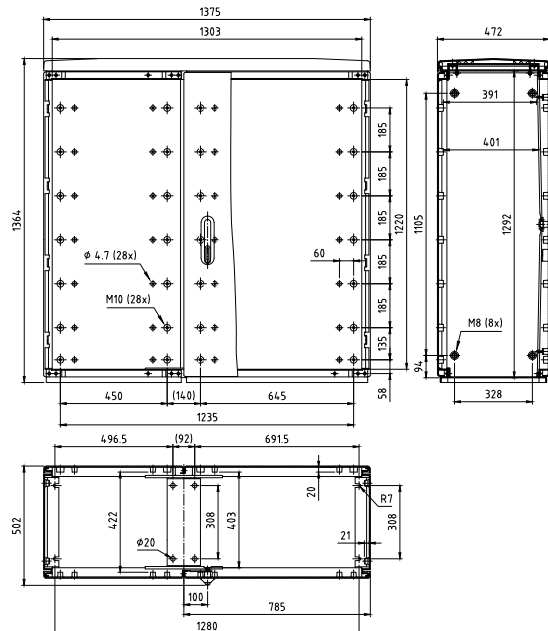


590-785 1375x1350 WxH

Depth 320, series F, flat
DB F4-F5 1350/320

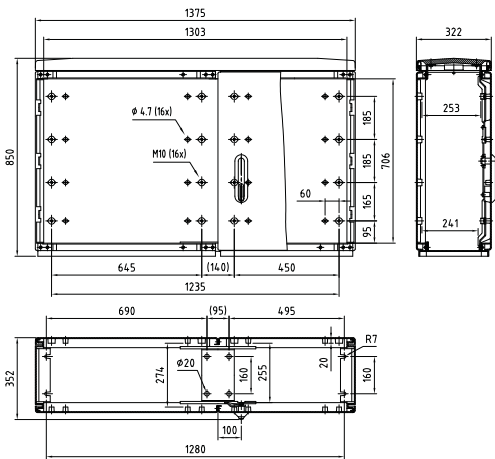


Depth 470, series F, flat
DB F4-F5 1350/470



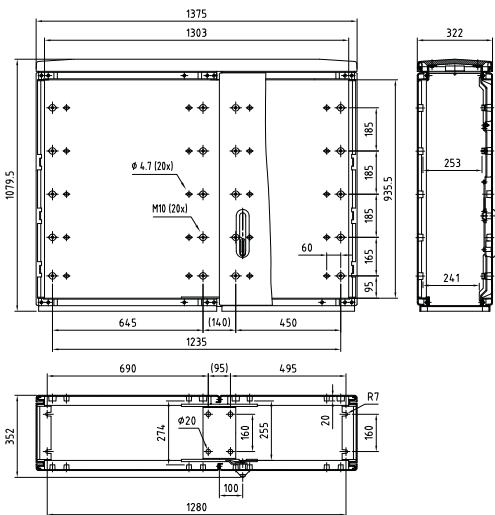
785-590
1375x850
 WxH

Depth 320, series F, flat
 DB F5-F4 850/320

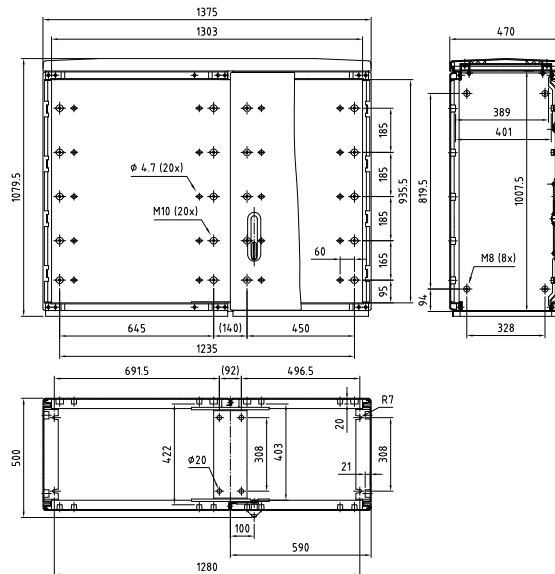


785-590
1375x1080
 WxH

Depth 320, series F, flat
 DB F5-F4 1080/320

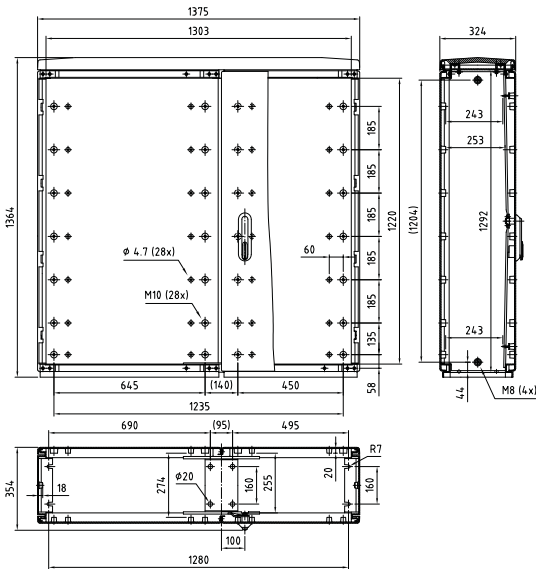


Depth 470, series F, flat
 DB F5-F4 1080/470

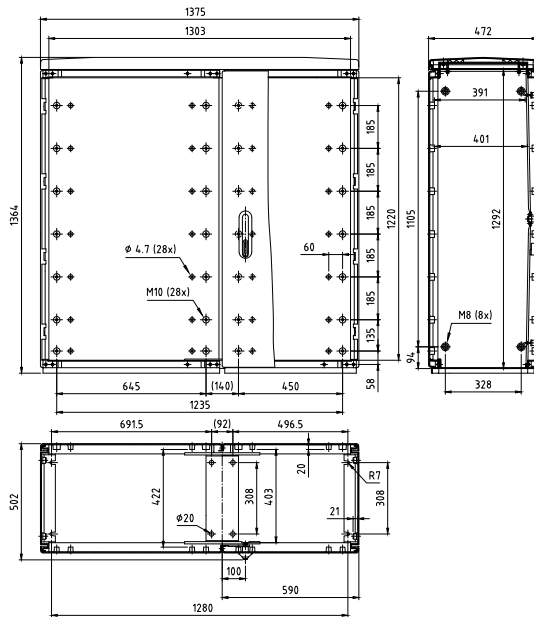


785-590 1375x1350 WxH

Depth 320, series F, flat
DB F5-F4 1350/320

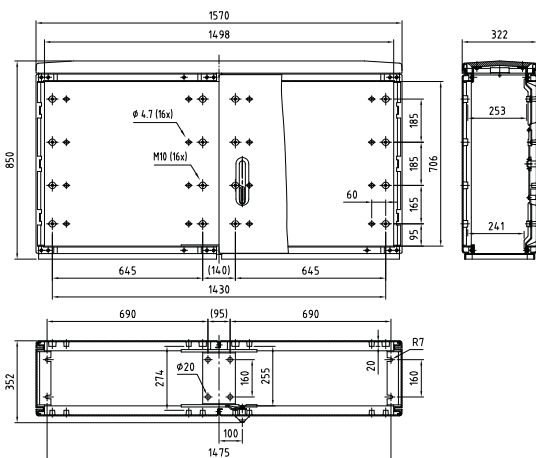


Depth 470, series F, flat
DB F5-F4 1350/470

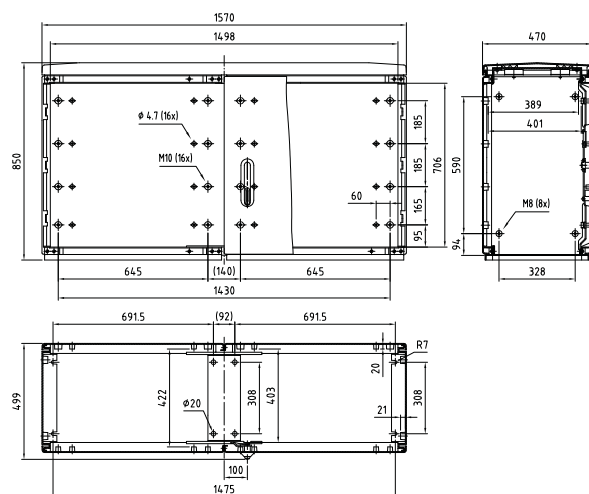


785-785 1570x850 WxH

Depth 320, series F, flat
DB F5-F5 850/320

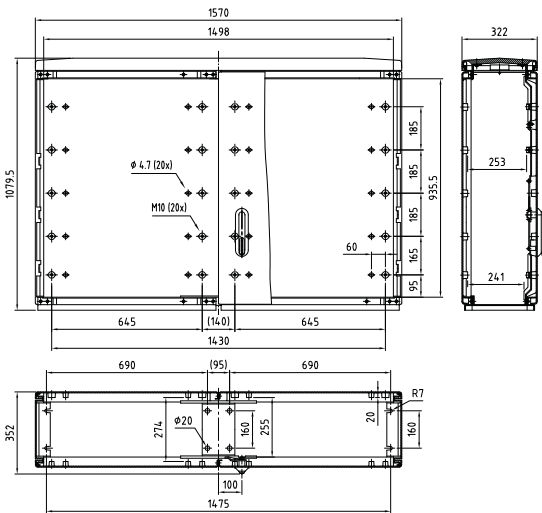


Depth 470, series F, flat
DB F5-F5 850/470

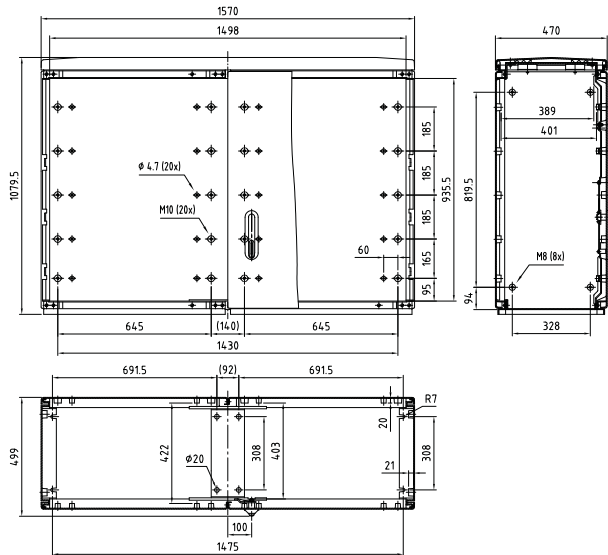


785-785
1570x1080
WxH

Depth 320, series F, flat
DB F5-F5 1080/320

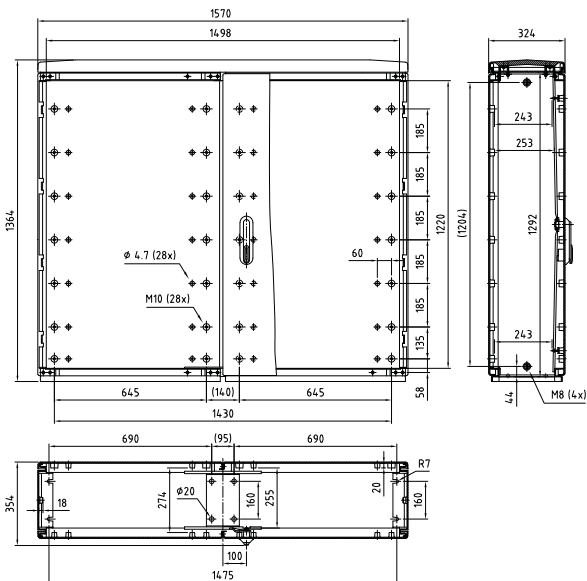


Depth 470, series F, flat
DB F5-F5 1080/470

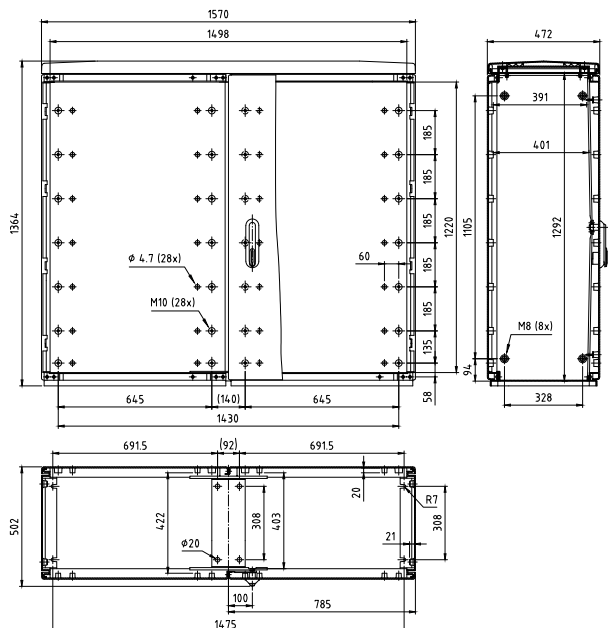


785-785
1570x1350
WxH

Depth 320, series F, flat
DB F5-F5 1350/320



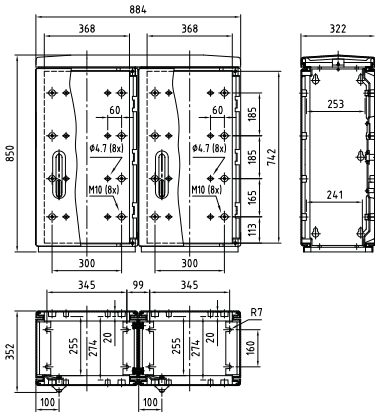
Depth 470, series F, flat
DB F5-F5 1350/470



440-440 880x850

WxH

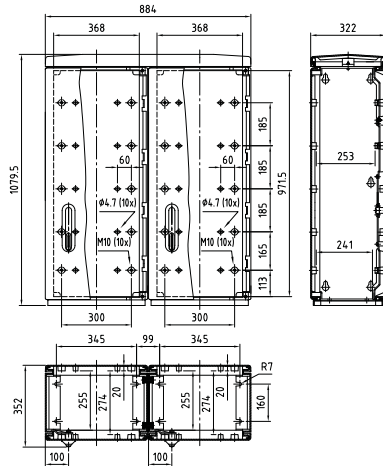
Depth 320, series F, flat
Kombi F3/1-F3/1 850/320



440-440 880x1080

WxH

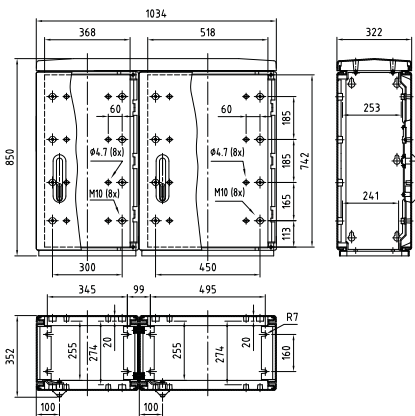
Depth 320, series F, flat
Kombi F3/1-F3/1 1080/320



440-590 1030x850

WxH

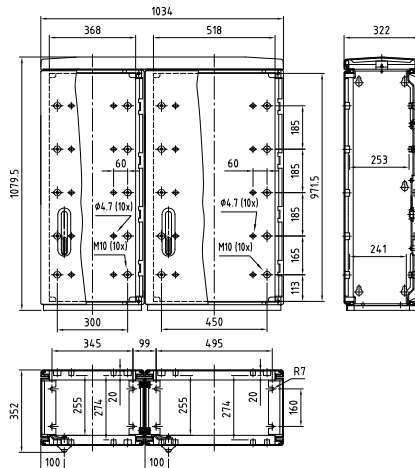
Depth 320, series F, flat
Kombi F3/1-F4 850/320



440-590 1030x1080

WxH

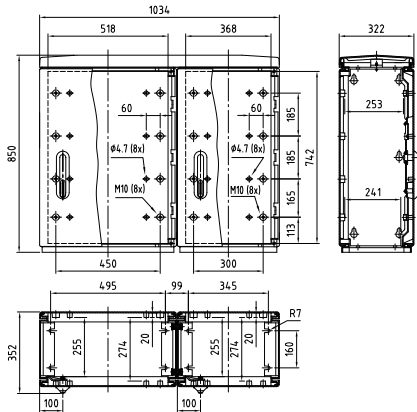
Depth 320, series F, flat
Kombi F3/1-F4 1080/320



possible variants see single cabinets

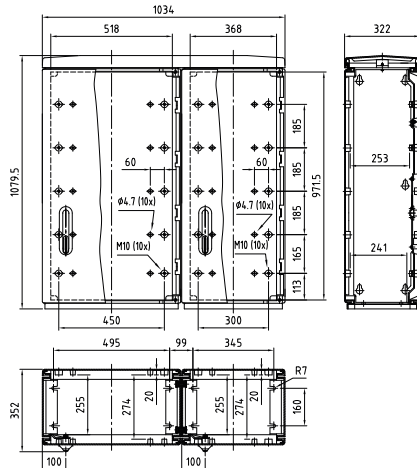
590-440
1030x850
 WxH

Depth 320, series F, flat
 Kombi F4-F3/1 850/320



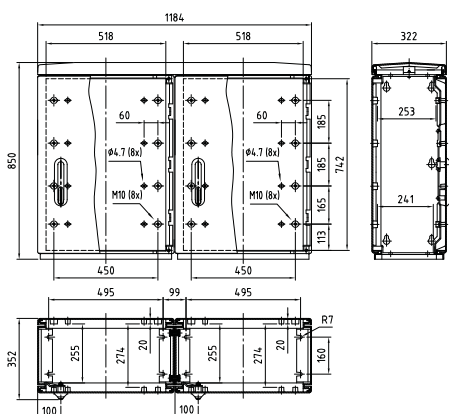
590-440
1030x1080
 WxH

Depth 320, series F, flat
 Kombi F4-F3/1 1080/320



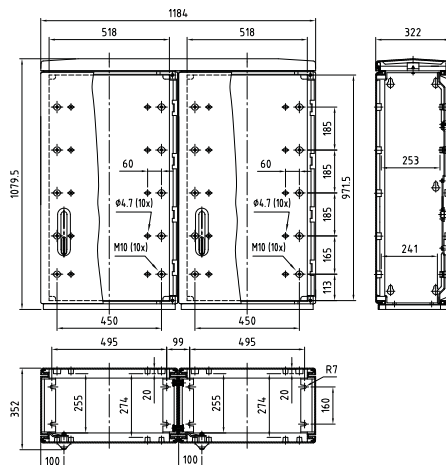
590-590
1180x850
 WxH

Depth 320, series F, flat
 Kombi F4-F4 850/320



590-590
1180x1080
 WxH

Depth 320, series F, flat
 Kombi F4-F4 1080/320

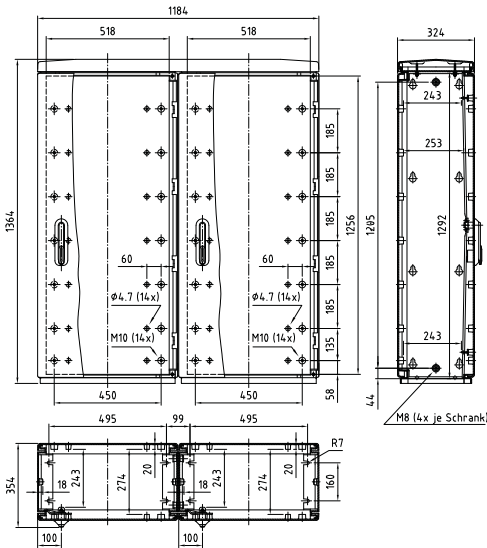


possible variants see single cabinets

590-590 1180x1350

WxH

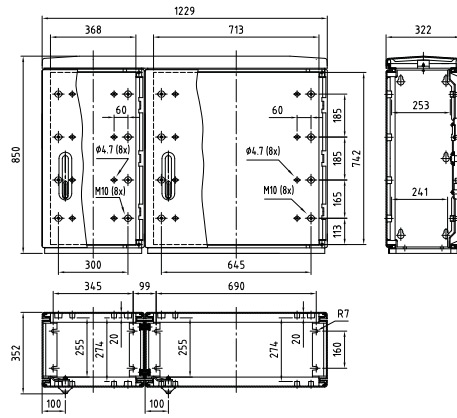
Depth 320, series F, flat
Kombi F4-F4 1350/320



440-785 1225x850

WxH

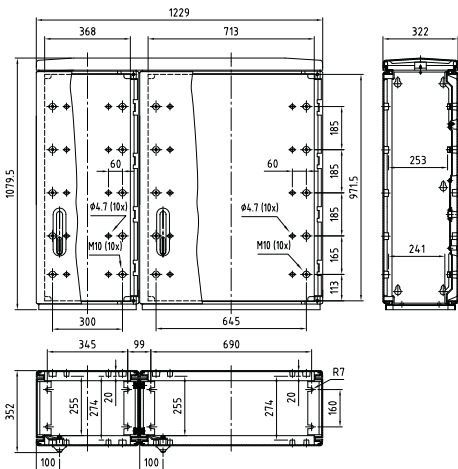
Depth 320, series F, flat
Kombi F3/1-F5 850/320



440-785 1225x1080

WxH

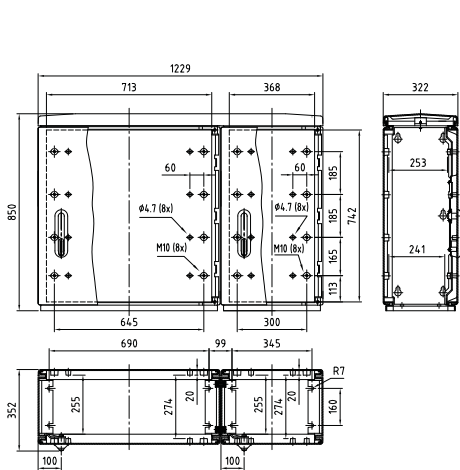
Depth 320, series F, flat
Kombi F3/1-F5 1080/320



possible variants see single cabinets

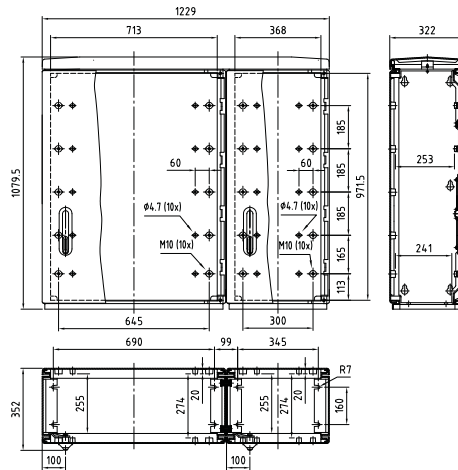
785-440
1225x850
 WxH

Depth 320, series F, flat
 Kombi F5-F3/1 850/320



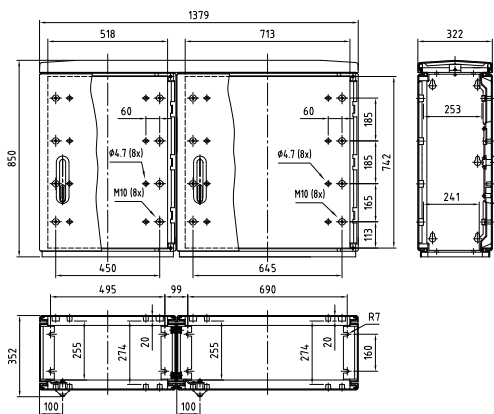
785-440
1225x1080
 WxH

Depth 320, series F, flat
 Kombi F5-F3/1 1080/320

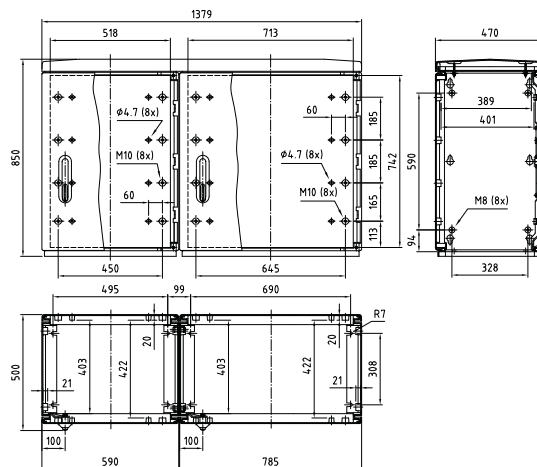


590-785
1375x850
 WxH

Depth 320, series F, flat
 Kombi F4-F5 850/320



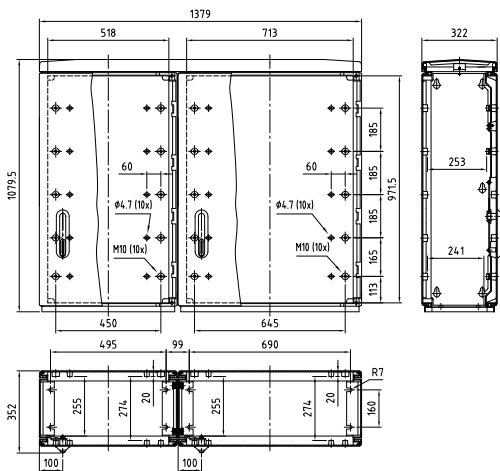
Depth 470, series F, flat
 Kombi F4-F5 850/470



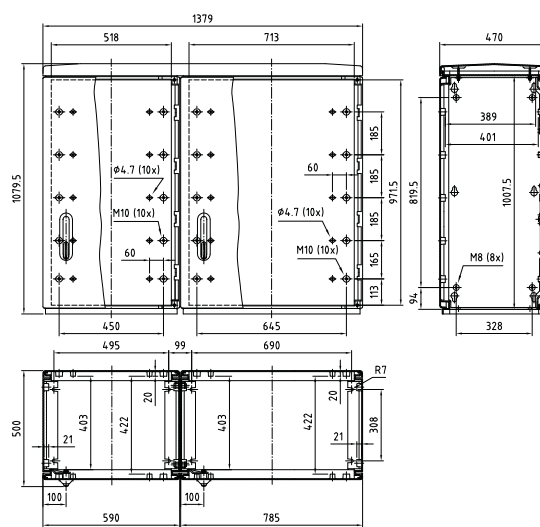
possible variants see single cabinets

590-785 1375x1080 WxH

Depth 320, series F, flat
Kombi F4-F5 1080/320

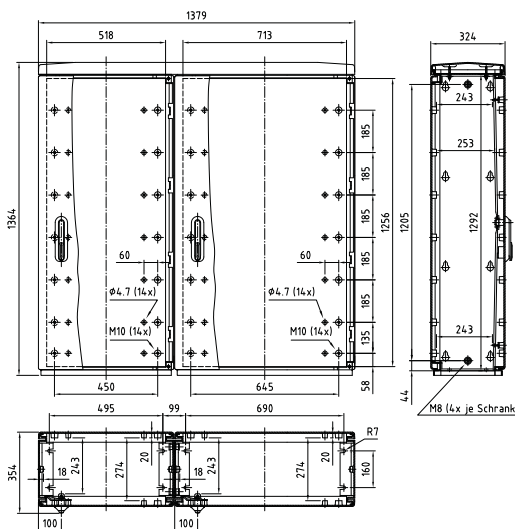


Depth 470, series F, flat
Kombi F4-F5 1080/470

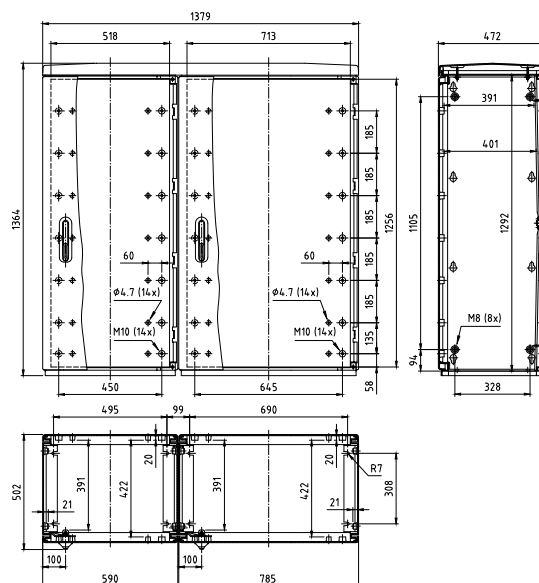


590-785 1375x1350 WxH

Depth 320, series F, flat
Kombi F4-F5 1350/320



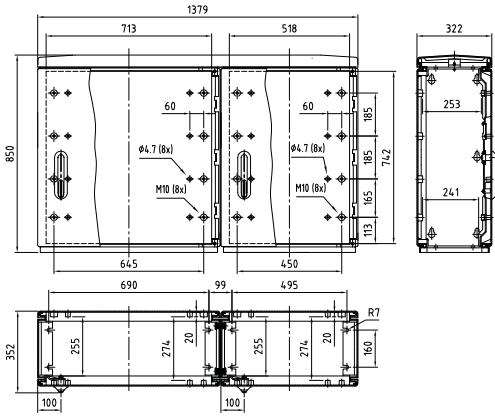
Depth 470, series F, flat
Kombi F4-F5 1350/470



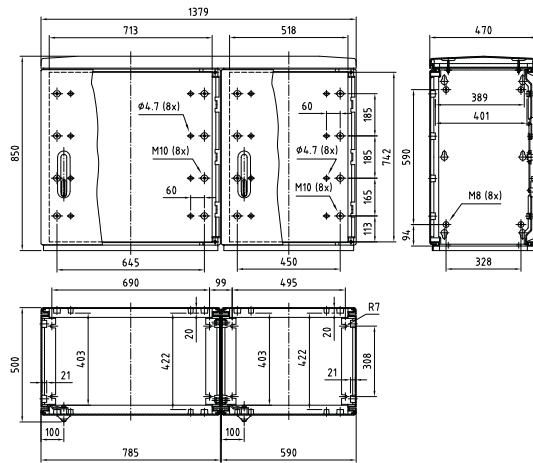
possible variants see single cabinets

785-590
1375x850
 WxH

Depth 320, series F, flat
 Kombi F5-F4 850/320

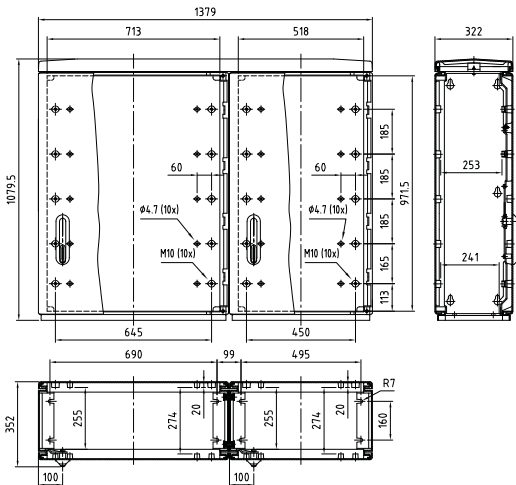


Depth 470, series F, flat
 Kombi F5-F4 850/470

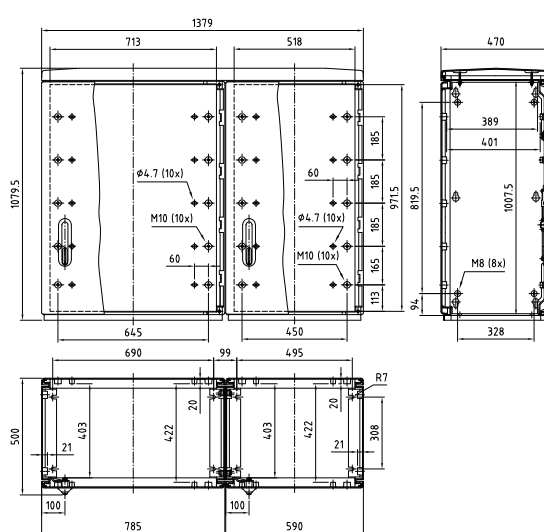


785-590
1375x1080
 WxH

Depth 320, series F, flat
 Kombi F5-F4 1080/320



Depth 470, series F, flat
 Kombi F5-F4 1080/470

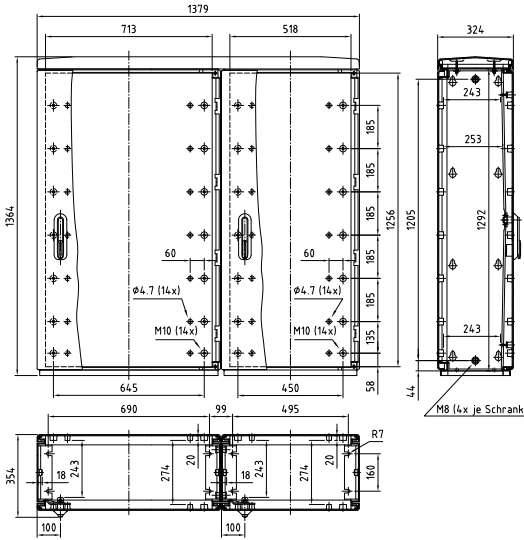


□ □ □ possible variants see single cabinets

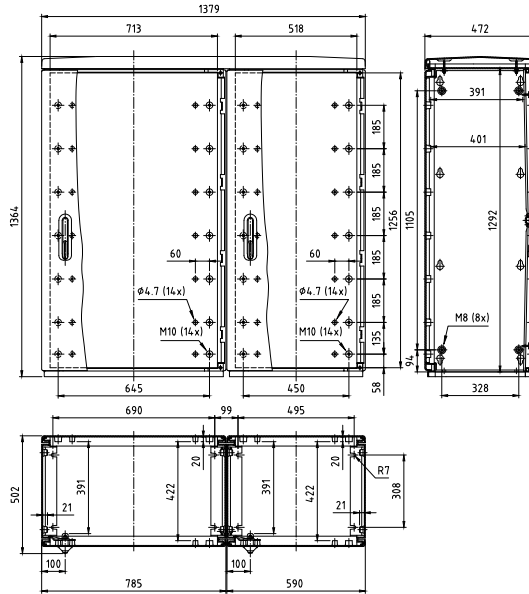
785-590 1375x1350

WxH

Depth 320, series F, flat
Kombi F5-F4 1350/320



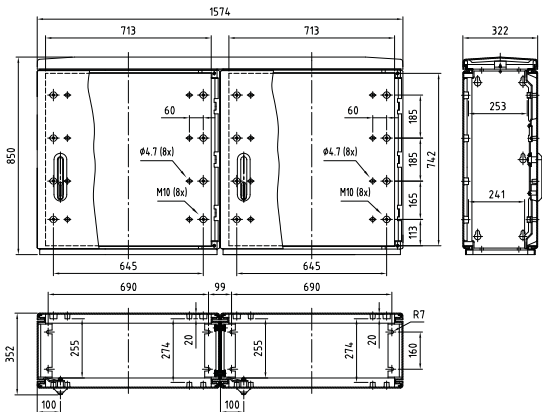
Depth 470, series F, flat
Kombi F5-F4 1350/470



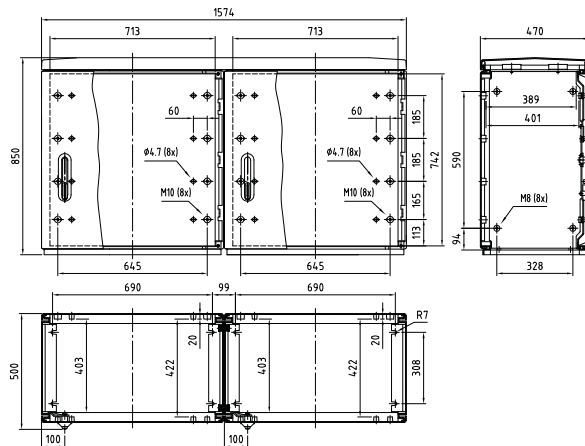
785-785 1570x850

WxH

Depth 320, series F, flat
Kombi F5-F5 850/320



Depth 470, series F, flat
Kombi F5-F5 850/470

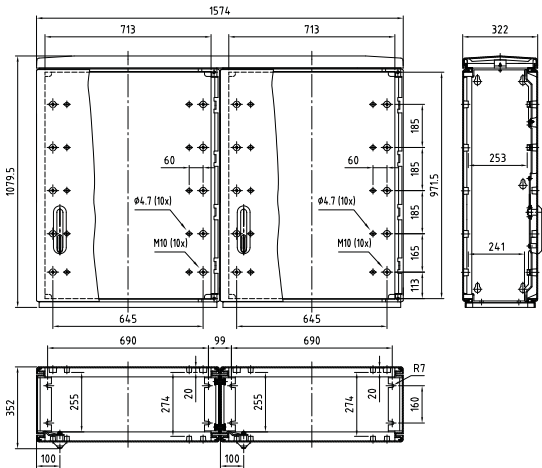


possible variants see single cabinets

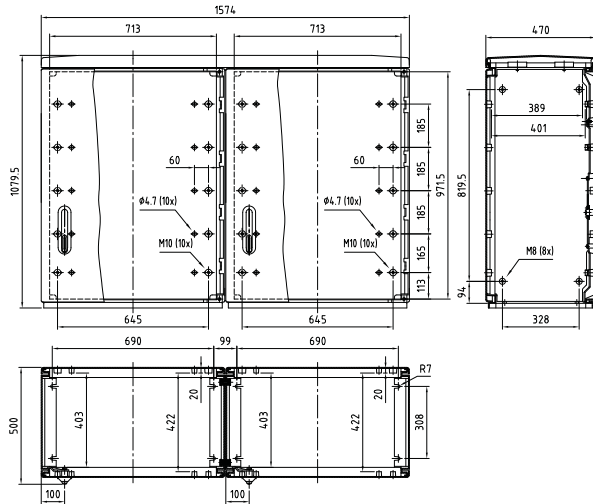
785-785 1570x1080

WxH

Depth 320, series F, flat
Kombi F5-F5 1080/320



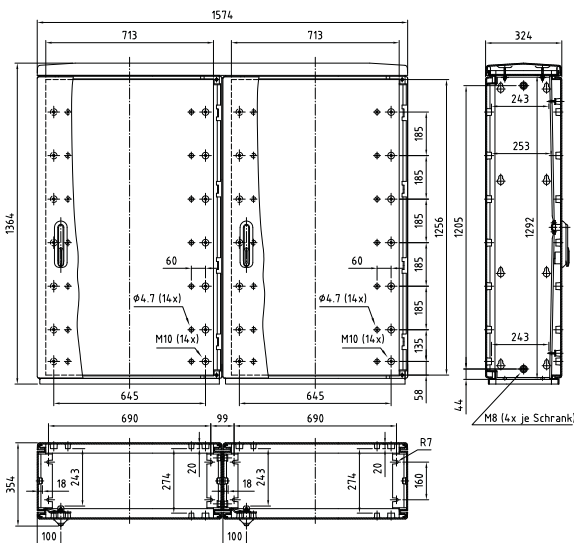
Depth 470, series F, flat
Kombi F5-F5 1080/470



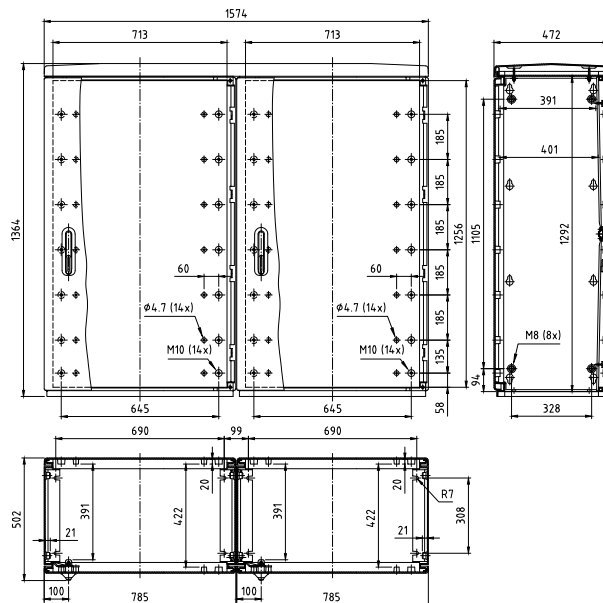
785-785 1570x1350

WxH

Depth 320, series F, flat
Kombi F5-F5 1350/320



Depth 470, series F, flat
Kombi F5-F5 1350/470

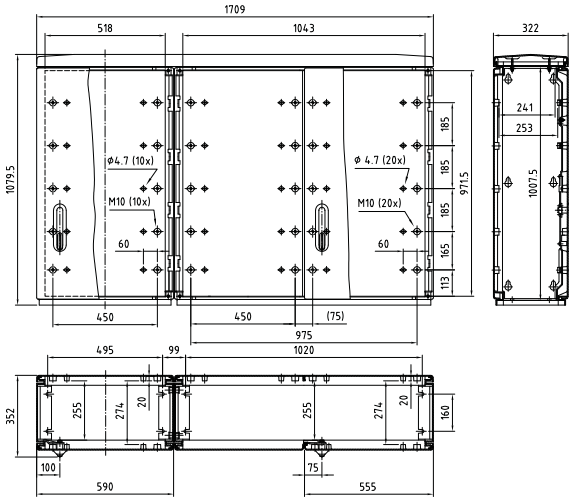


possible variants see single cabinets

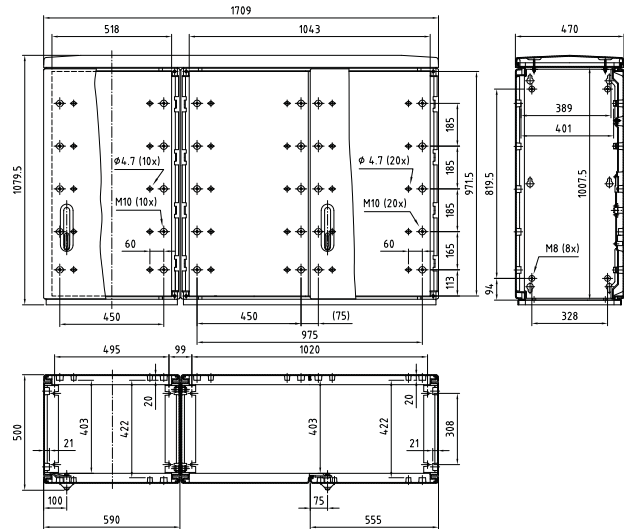
590-1115 1705x1080

WxH

Depth 320, series F, flat
Kombi F4-F6 1080/320



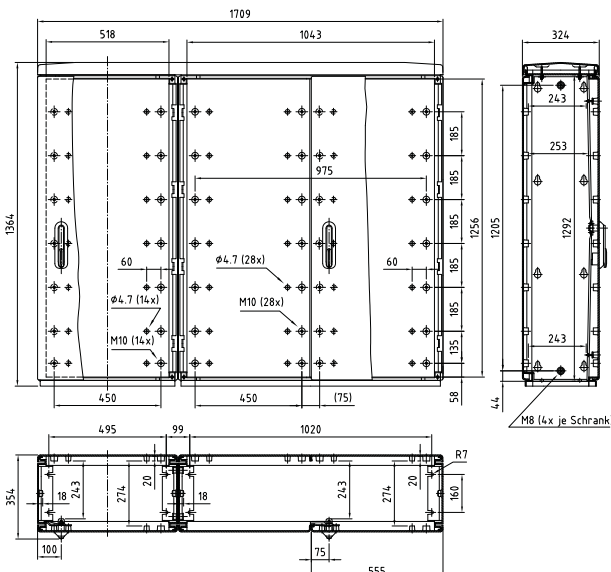
Depth 470, series F, flat
Kombi F4-F6 1080/470



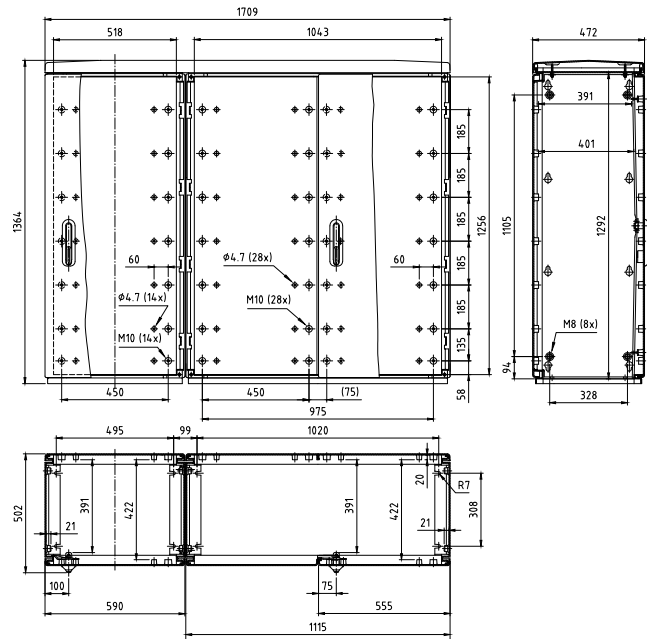
590-1115 1705x1350

WxH

Depth 320, series F, flat
Kombi F4-F6 1350/320



Depth 470, series F, flat
Kombi F4-F6 1350/470

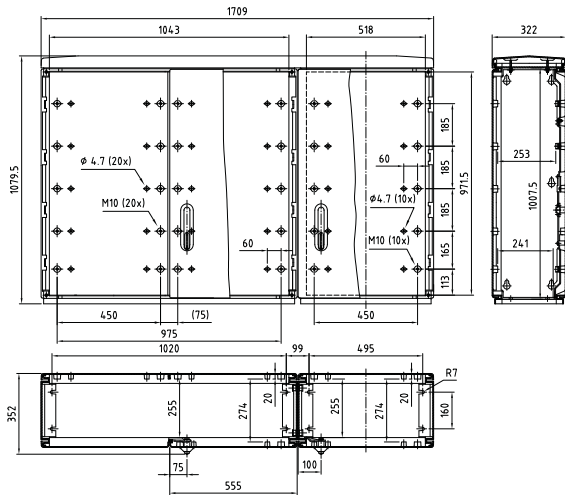


possible variants see single cabinets

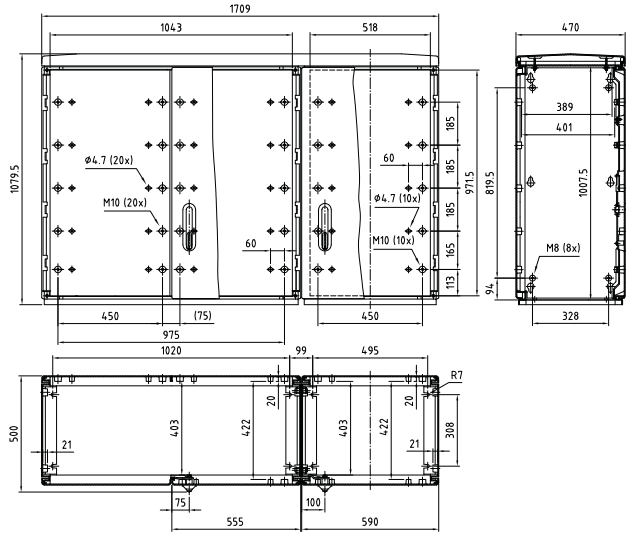
1115-590 1705x1080

WxH

Depth 320, series F, flat
Kombi F6-F4 1080/320



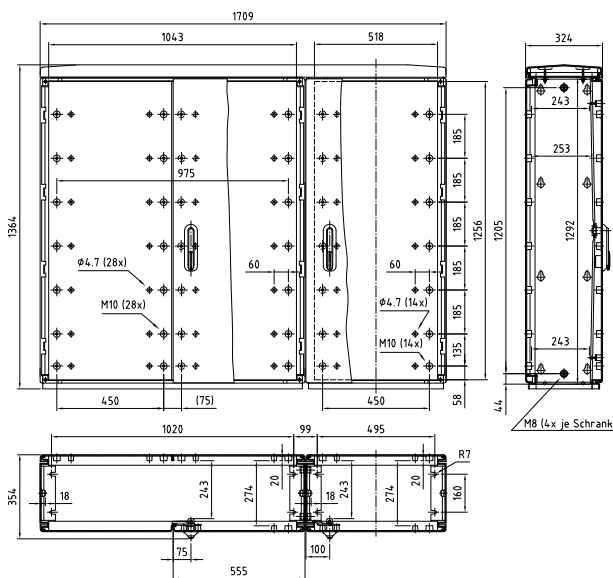
Depth 470, series F, flat
Kombi F6-F4 1080/470



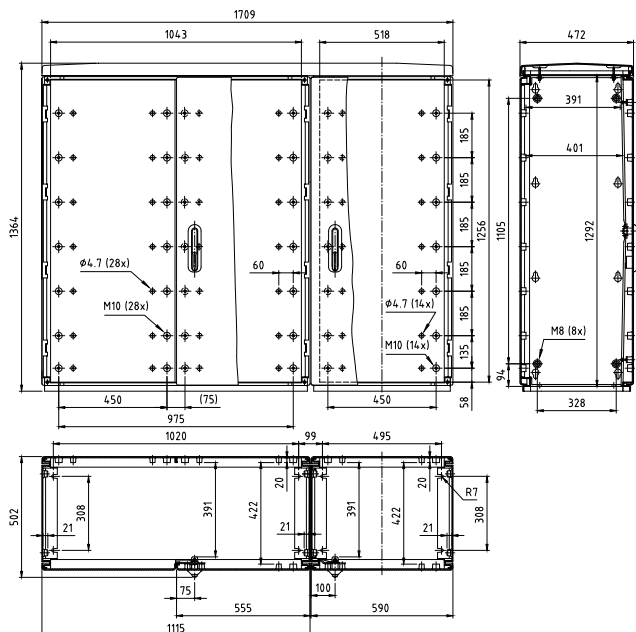
1115-590 1705x1350

WxH

Depth 320, series F, flat
Kombi F6-F4 1350/320



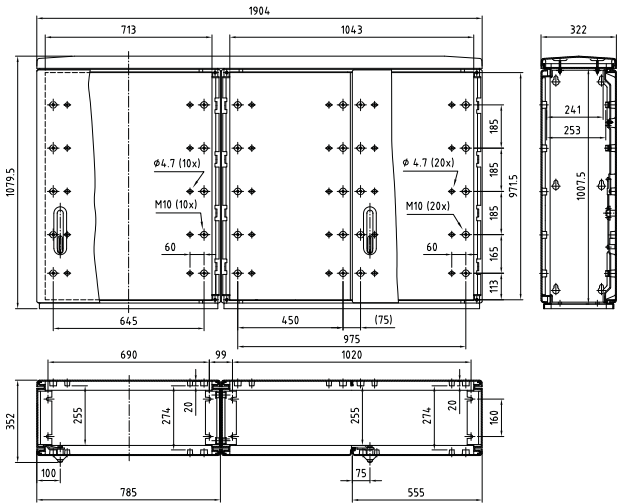
Depth 470, series F, flat
Kombi F6-F4 1350/470



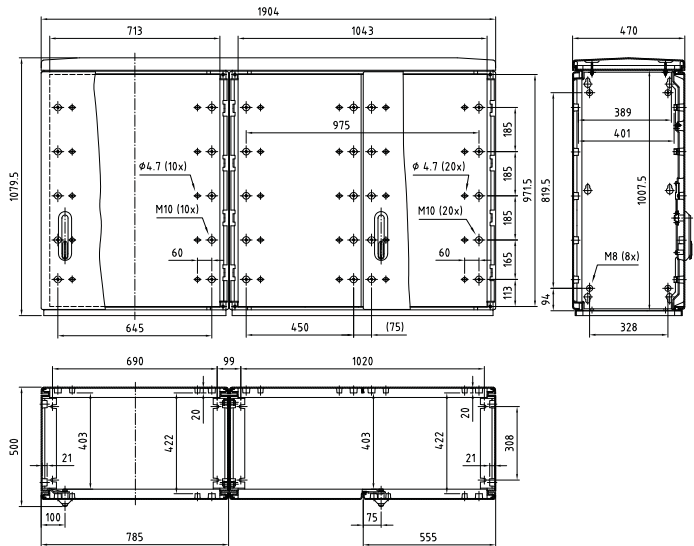
possible variants see single cabinets

785-1115 1900x1080 WxH

Depth 320, series F, flat
Kombi F5-F6 1080/320

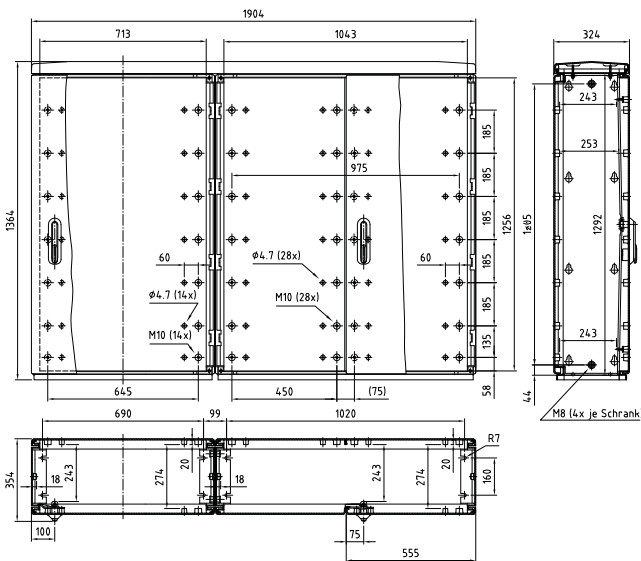


Depth 470, series F, flat
Kombi F5-F6 1080/470

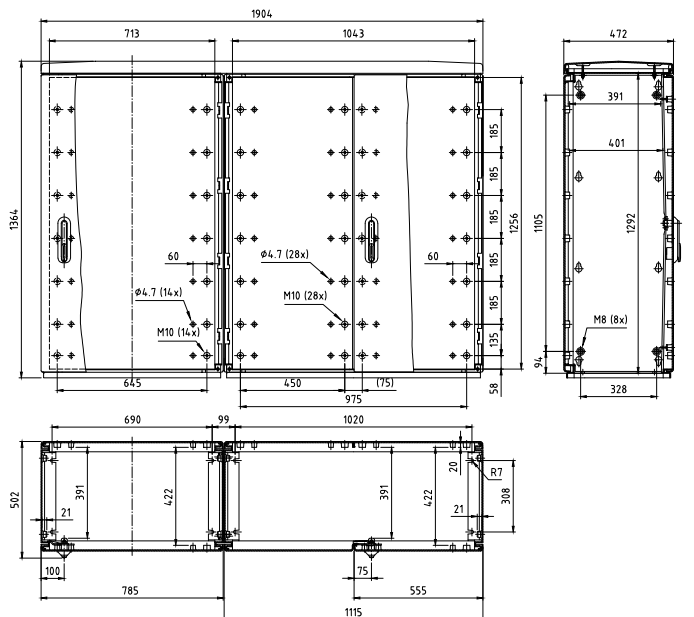


785-1115 1900x1350 WxH

Depth 320, series F, flat
Kombi F5-F6 1350/320



Depth 470, series F, flat
Kombi F5-F6 1350/470



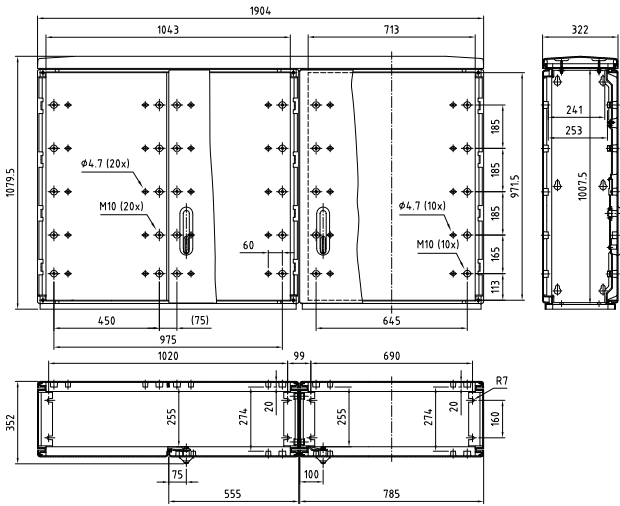
possible variants see single cabinets

1115-785

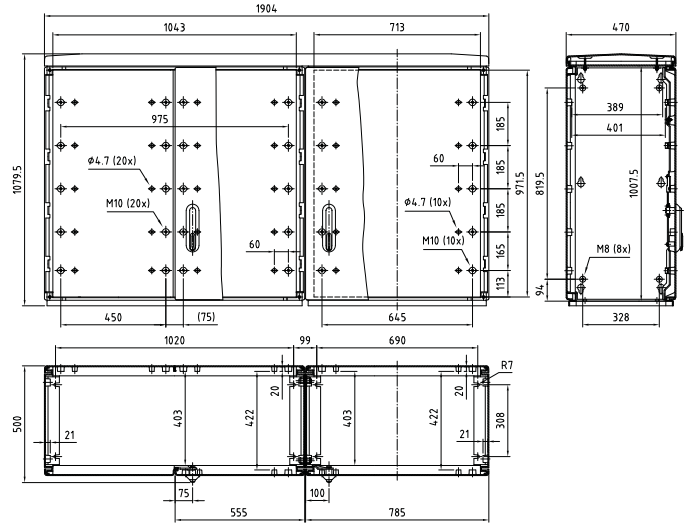
1900x1080

WxH

Depth 320, series F, flat
Kombi F6-F5 1080/320



Depth 470, series F, flat
Kombi F6-F5 1080/470

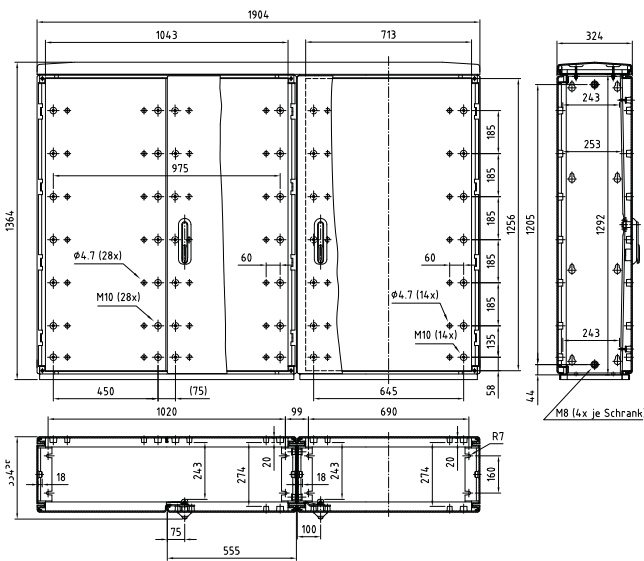


1115-785

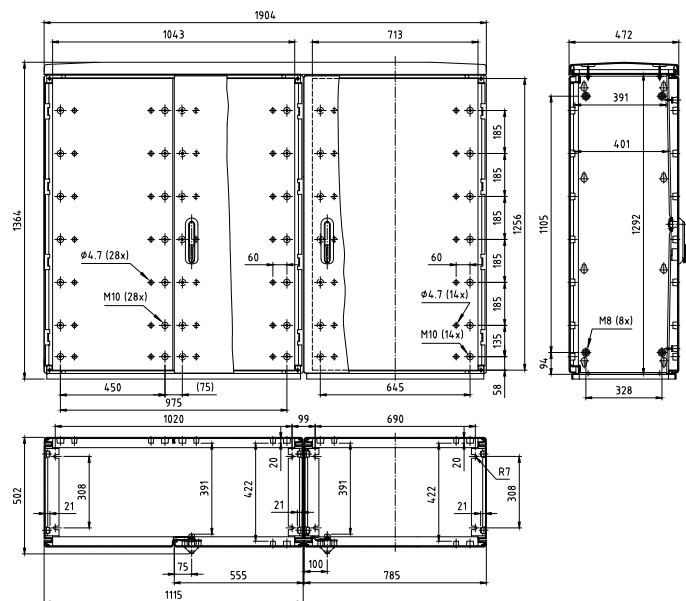
1900x1350

WxH

Depth 320, series F, flat
Kombi F6-F5 1350/320



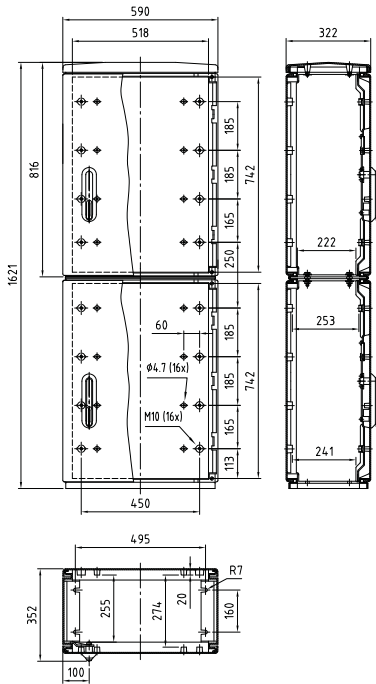
Depth 470, series F, flat
Kombi F6-F5 1350/470



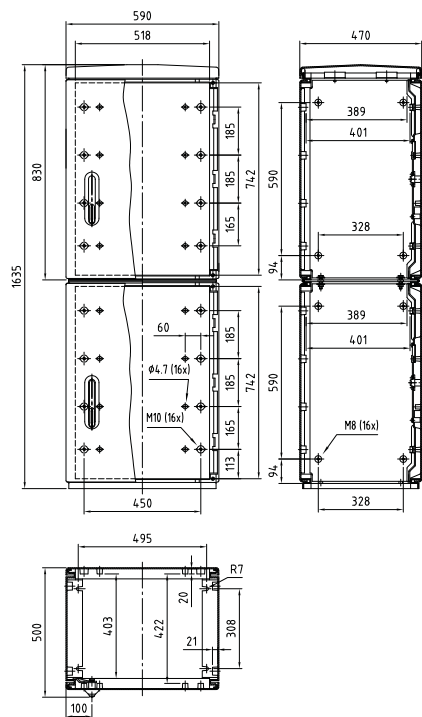
possible variants see single cabinets

850-850 590x1620 WxH

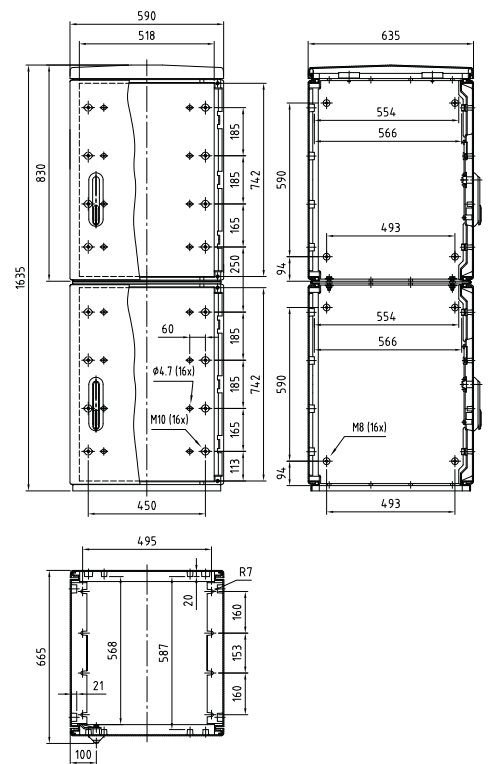
Depth 320, series F, flat
DH F4 850-850/320



Depth 470, series F, flat
DH F4 850-850/470



Depth 635, series F, flat
DH F4 850-850/635

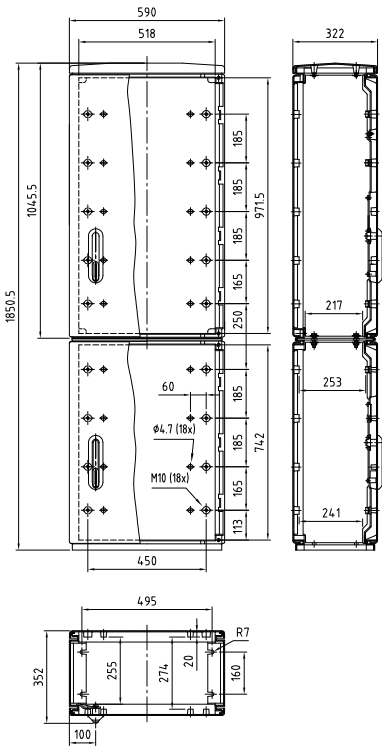


possible variants see single cabinets

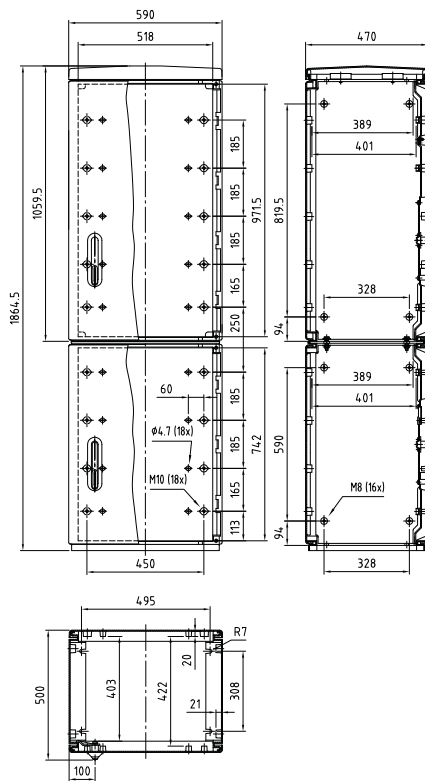
850-1080 590x1850

WxH

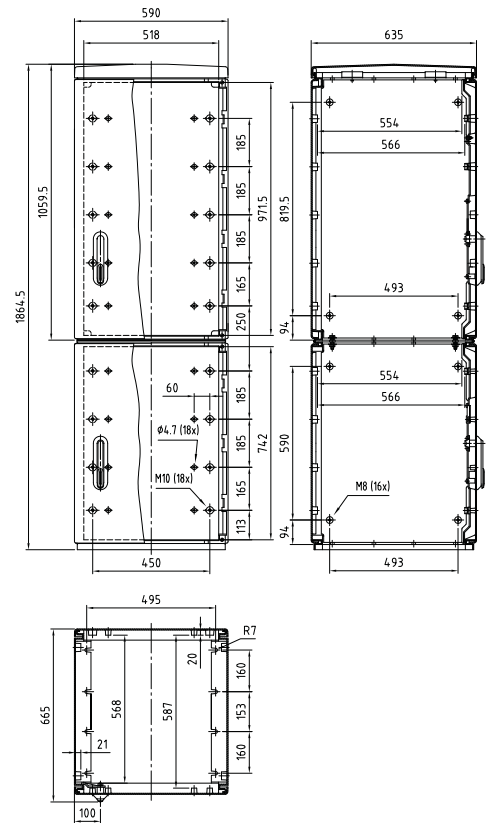
Depth 320, series F, flat
DH F4 850-1080/320



Depth 470, series F, flat
DH F4 850-1080/470



Depth 635, series F, flat
DH F4 850-1080/635

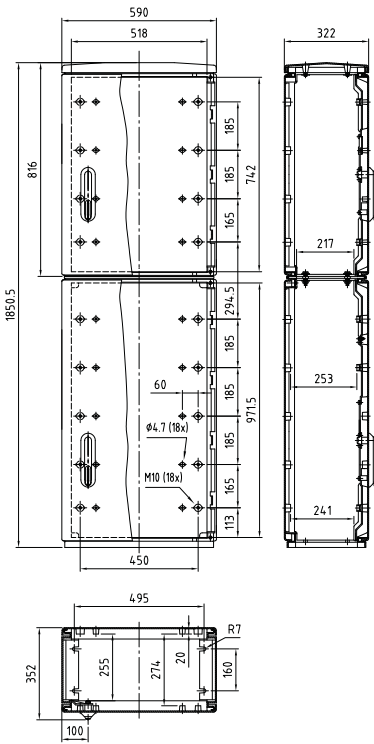


□ □ □ possible variants see single cabinets

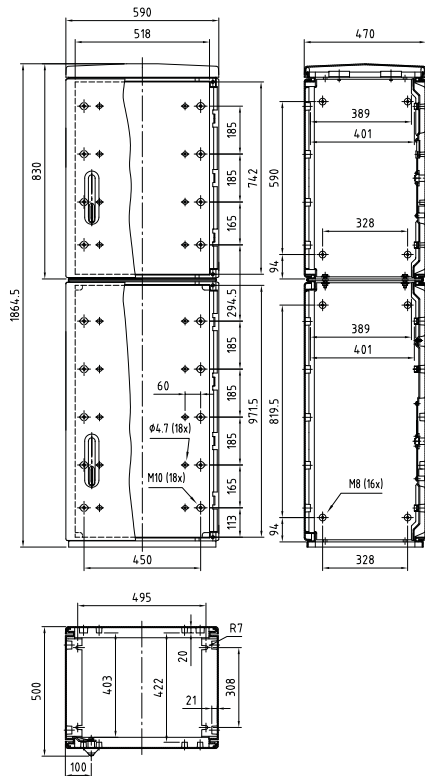
1080-850 590x1850

WxH

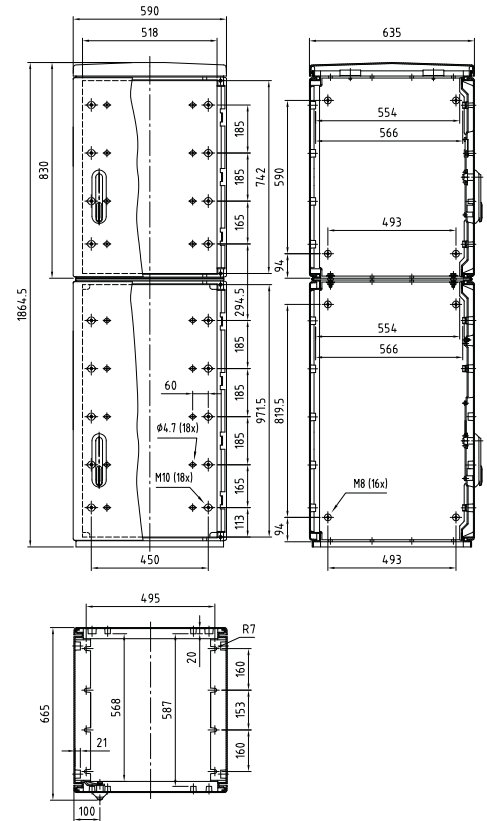
Depth 320, series F, flat
DH F4 1080-850/320



Depth 470, series F, flat
DH F4 1080-850/470



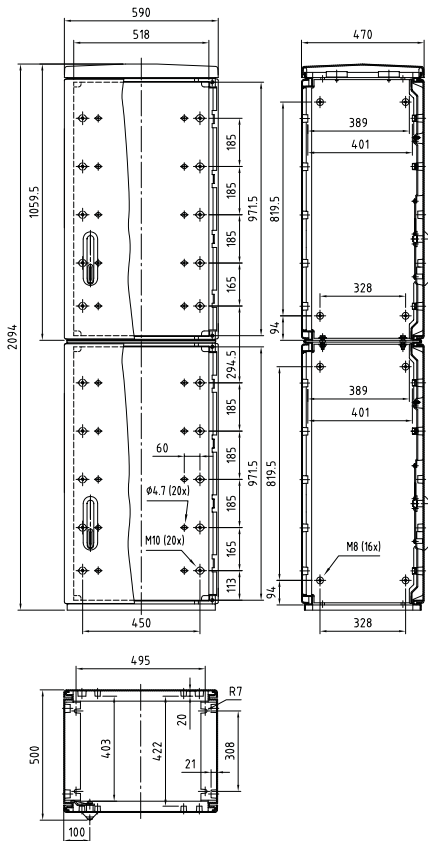
Depth 635, series F, flat
DH F4 1080-850/635



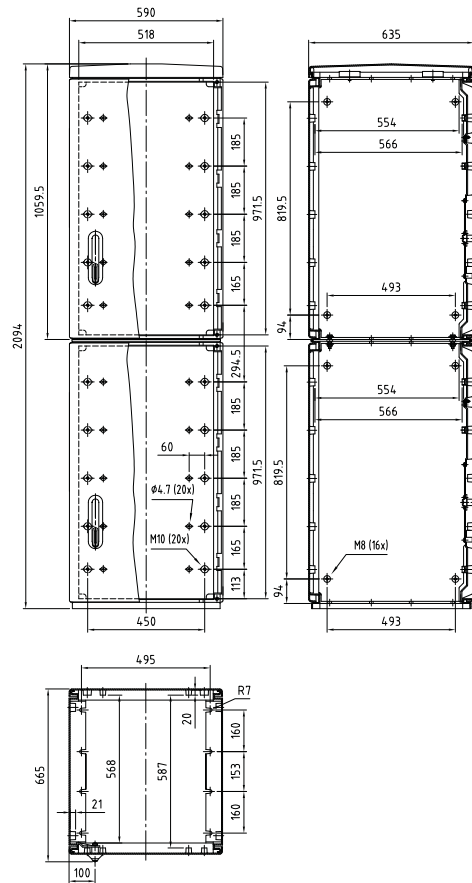
possible variants see single cabinets

1080-1080
590x2090
WxH

Depth 470, series F, flat
DH F4 1080-1080/470



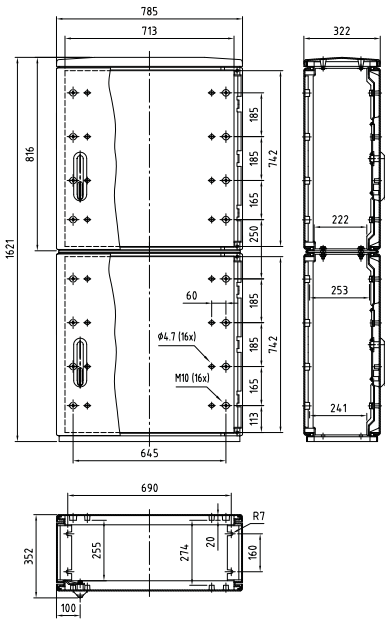
Depth 635, series F, flat
DH F4 1080-1080/635



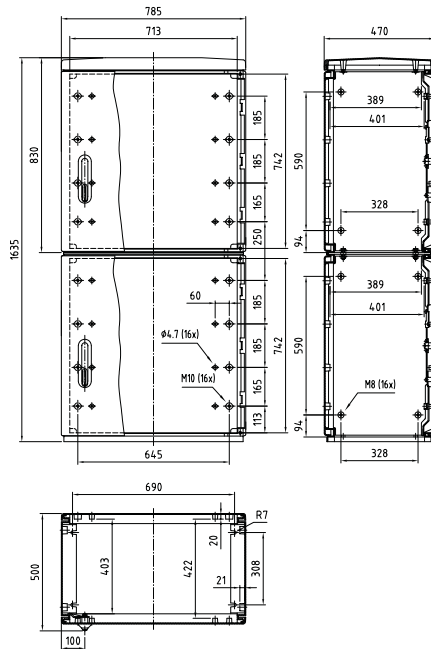
possible variants see single cabinets

850-850 785x1620 WxH

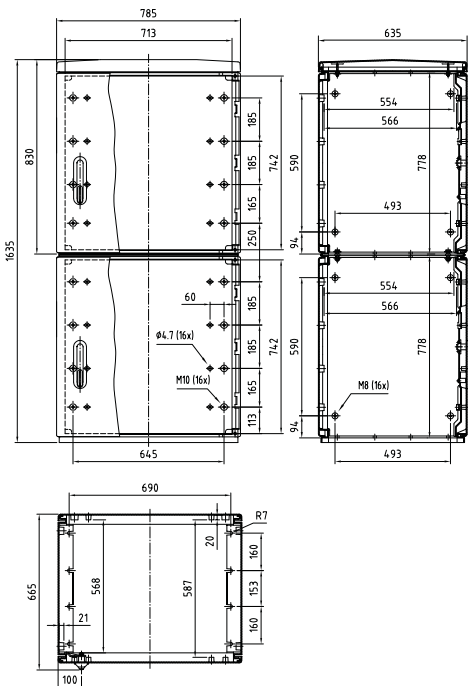
Depth 320, series F, flat
DH F5 850-850/320



Depth 470, series F, flat
DH F5 850-850/470



Depth 635, series F, flat
DH F5 850-850/635



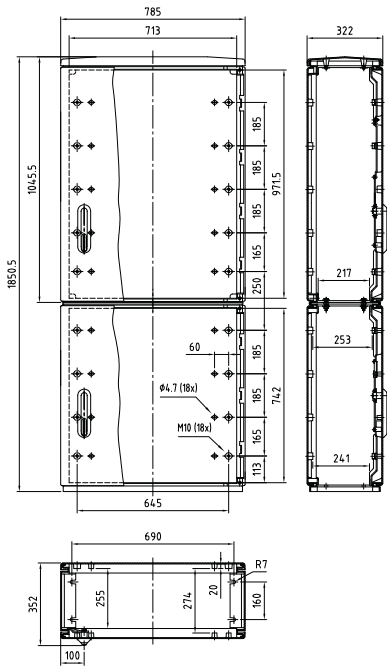
possible variants see single cabinets

850-1080

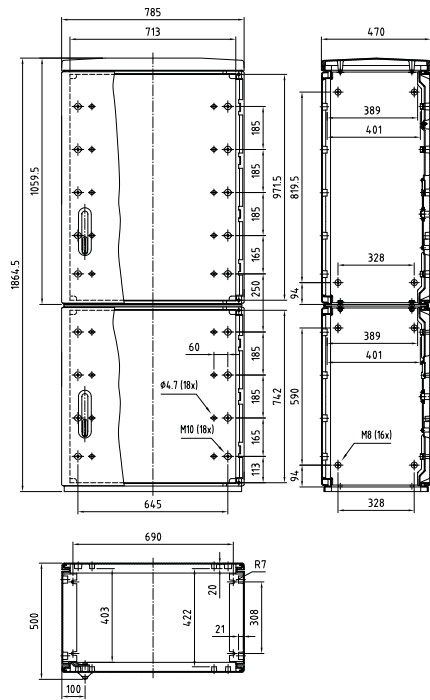
785x1850

WxH

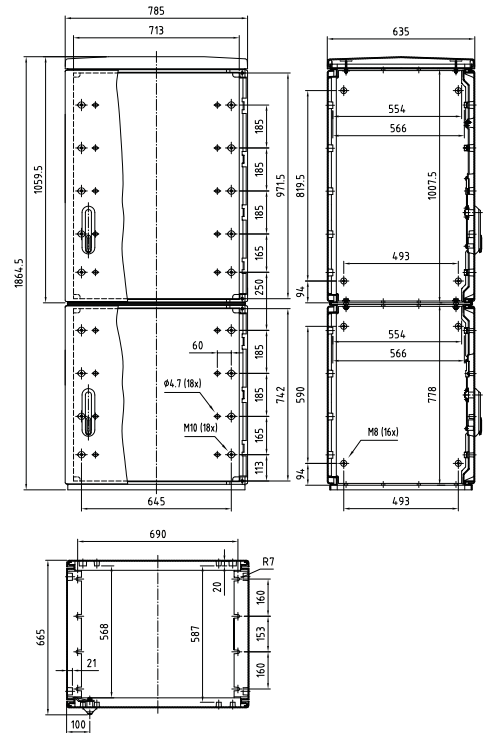
Depth 320, series F, flat
DH F5 850-1080/320

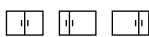


Depth 470, series F, flat
DH F5 850-1080/470



Depth 635, series F, flat
DH F5 850-1080/635

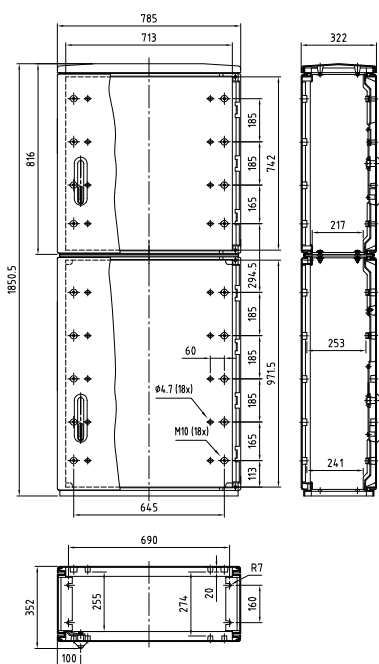


 possible variants see single cabinets

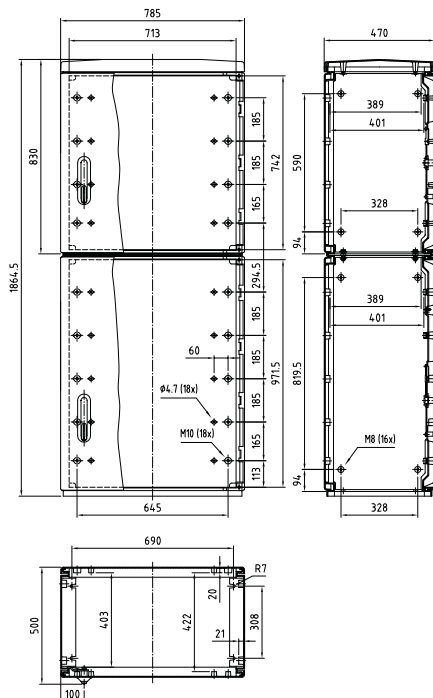
1080-850 785x1850

WxH

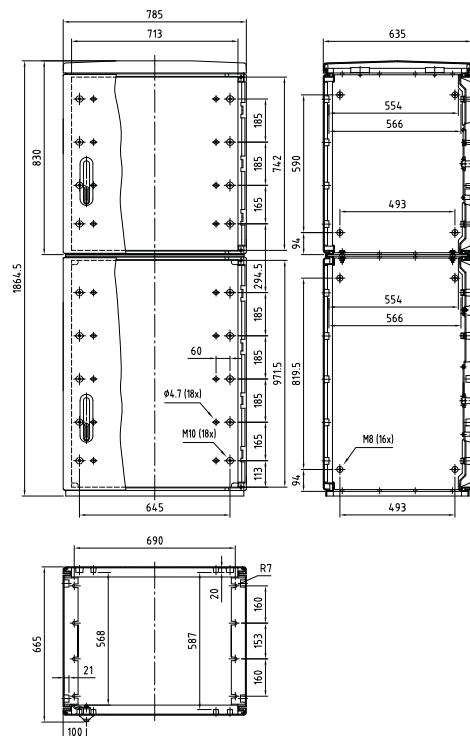
Depth 320, series F, flat
DH F5 1080-850/320

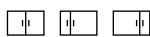


Depth 470, series F, flat
DH F5 1080-850/470



Depth 635, series F, flat
DH F5 1080-850/635



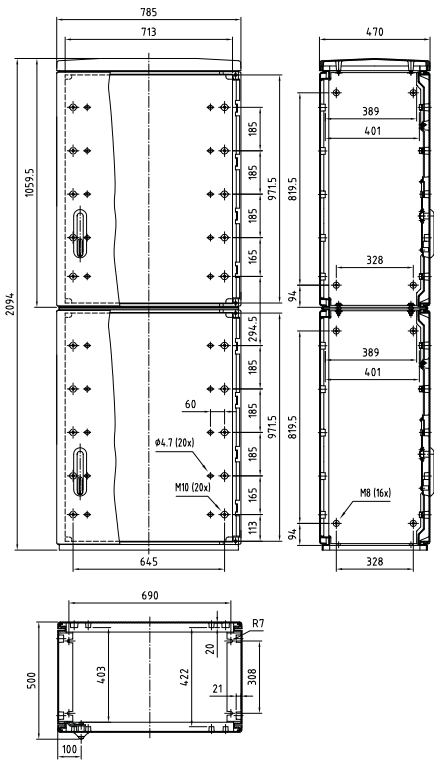
 possible variants see single cabinets

1080-1080

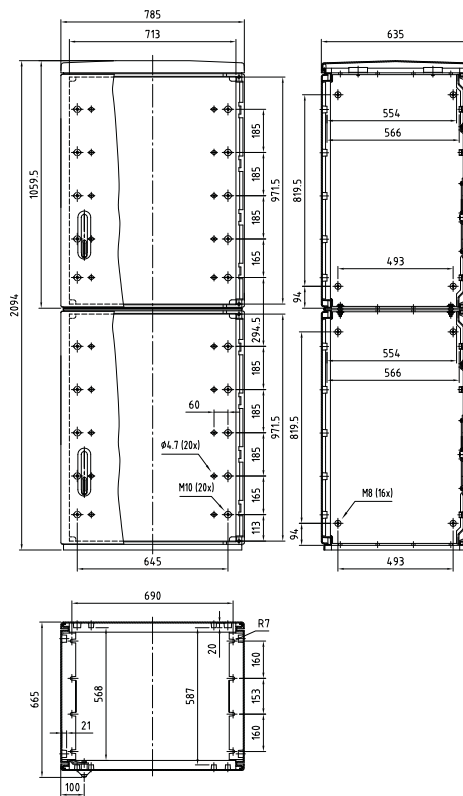
785x2090

WxH

Depth 470, series F, flat
 DH F5 1080-1080/470



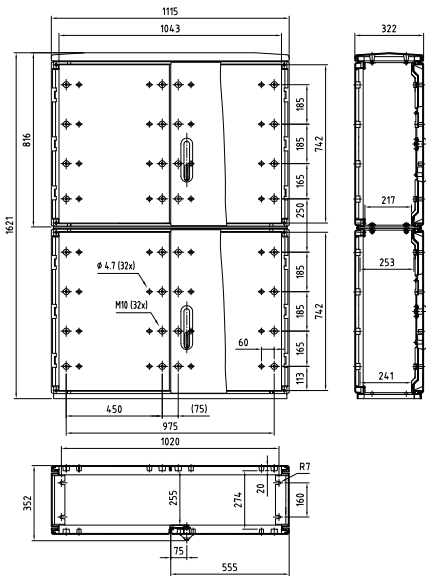
Depth 635, series F, flat
 DH F5 1080-1080/635



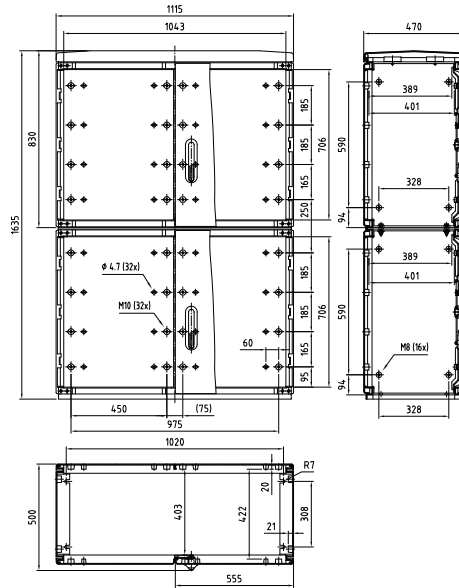
□ □ □ possible variants see single cabinets

850-850 1115x1620 WxH

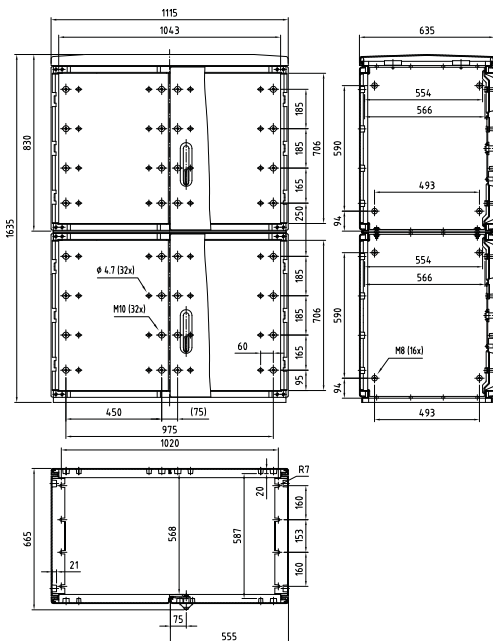
Depth 320, series F, flat
DH F6 850-850/320



Depth 470, series F, flat
DH F6 850-850/470



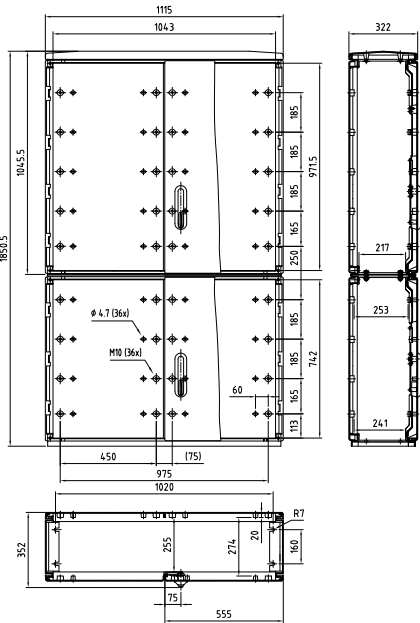
Depth 635, series F, flat
DH F6 850-850/635



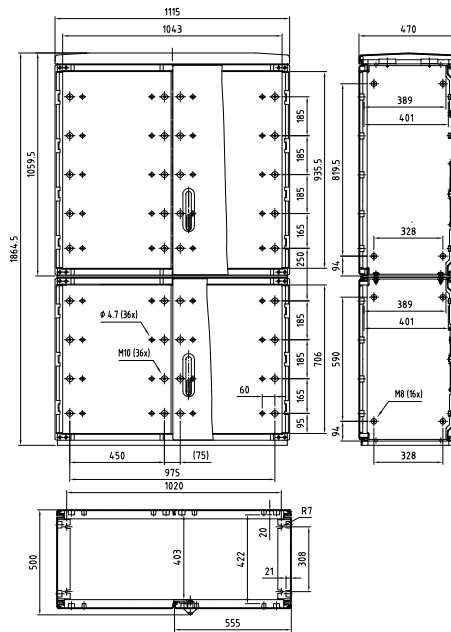
possible variants see single cabinets

850-1080
1115x1850
WxH

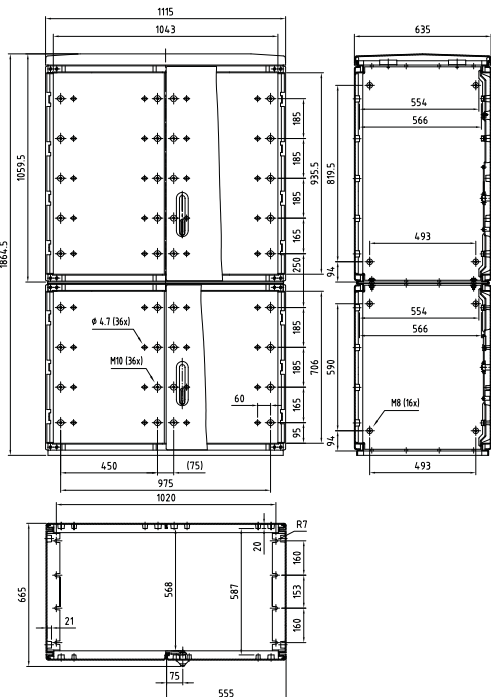
Depth 320, series F, flat
DH F6 850-1080/320



Depth 470, series F, flat
DH F6 850-1080/470



Depth 635, series F, flat
DH F6 850-1080/635

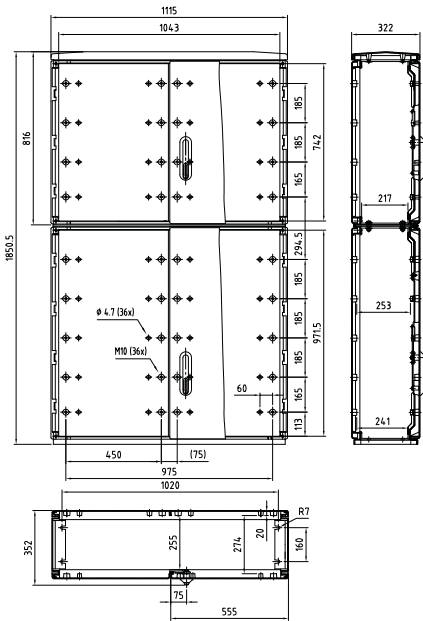


□ □ □ possible variants see single cabinets

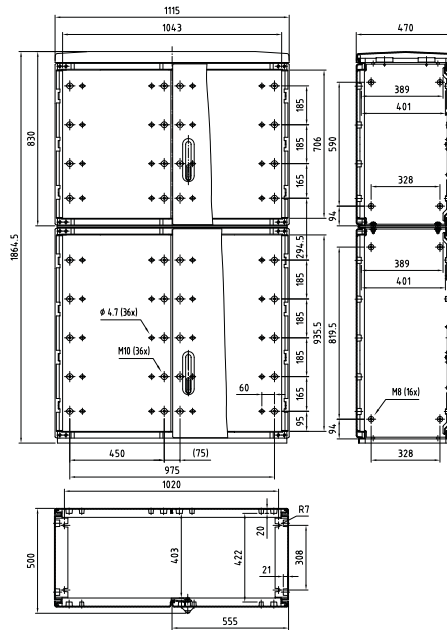
1080-850 1115x1850

WxH

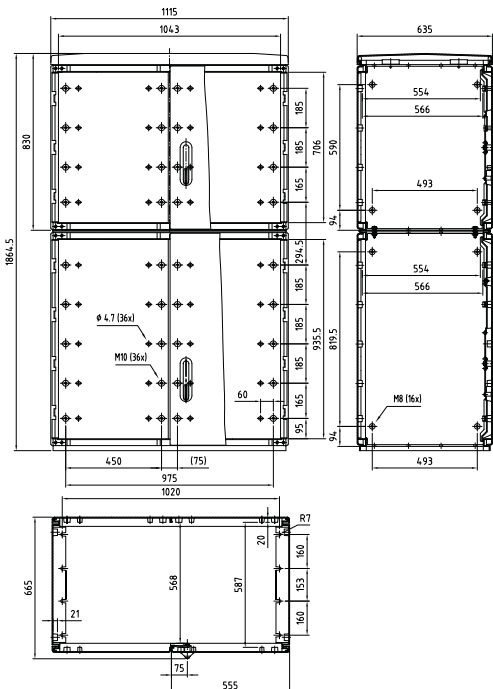
Depth 320, series F, flat
DH F6 1080-850/320



Depth 470, series F, flat
DH F6 1080-850/470



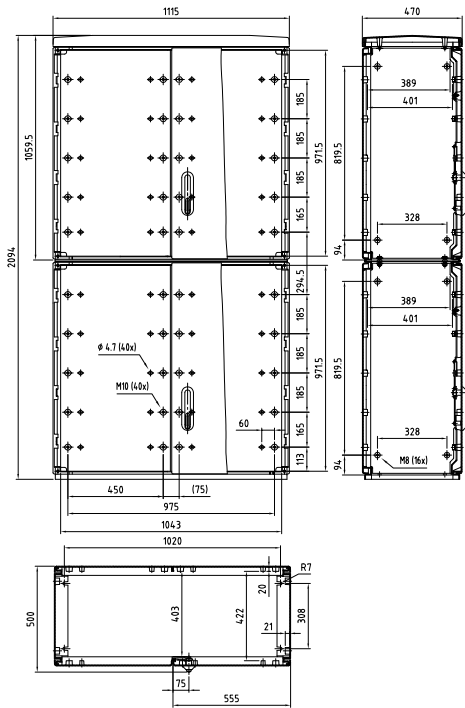
Depth 635, series F, flat
DH F6 1080-850/635



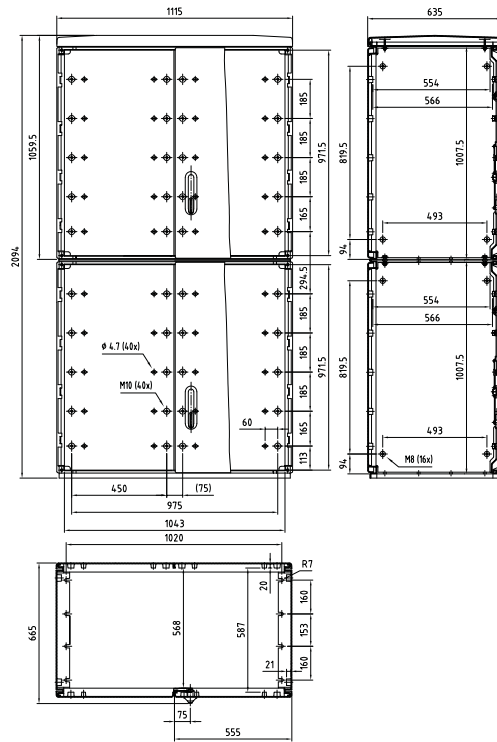
possible variants see single cabinets

1080-1080 1115x2090 WxH

Depth 470, series F, flat
DH F6 1080-1080/470



Depth 635, series F, flat
DH F6 1080-1080/635

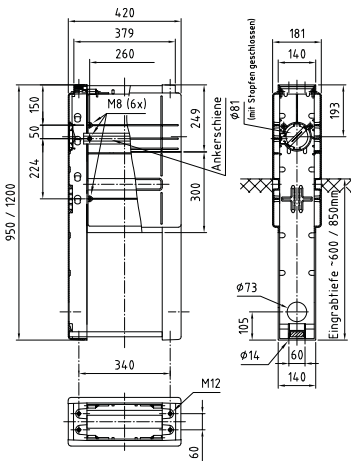


possible variants see single cabinets

440x200

suitable for cabinet WxD

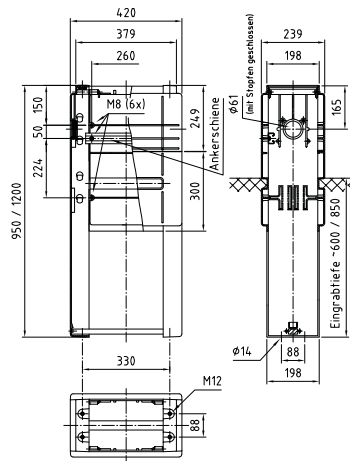
Height 950 / 1200
S3 950(1200)/180



440x250

suitable for cabinet WxD

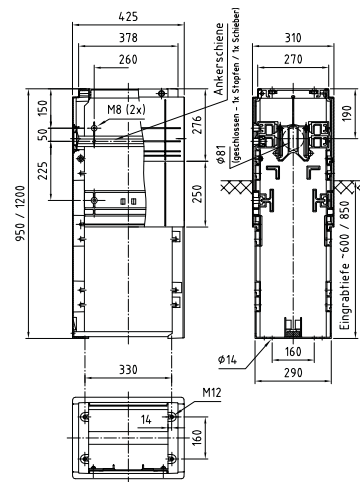
Height 950 / 1200
S3 950(1200)/250



440x320

suitable for cabinet WxD

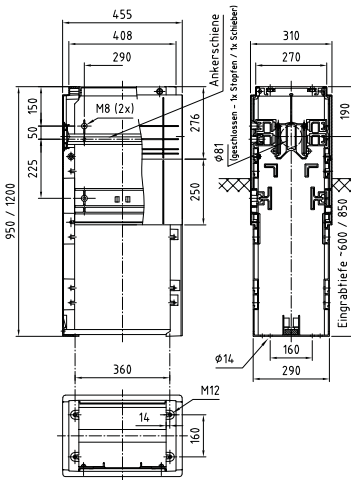
Height 950 / 1200
S3 950(1200)/320



460x320

suitable for cabinet WxD

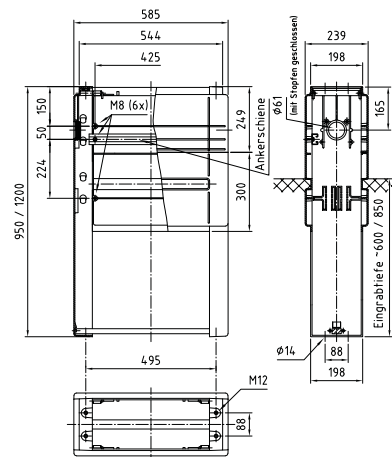
Height 950 / 1200
S X00 950(1200)/320



590x250

suitable for cabinet WxD

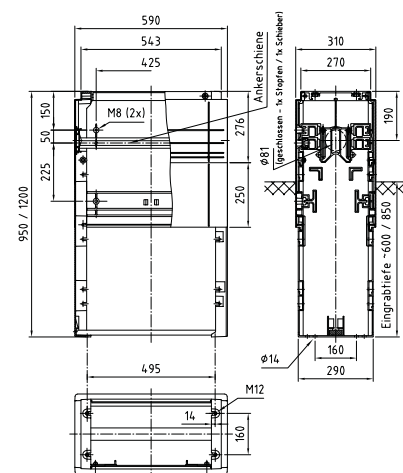
Height 950 / 1200
S4 950(1200)/250



590x320

suitable for cabinet WxD

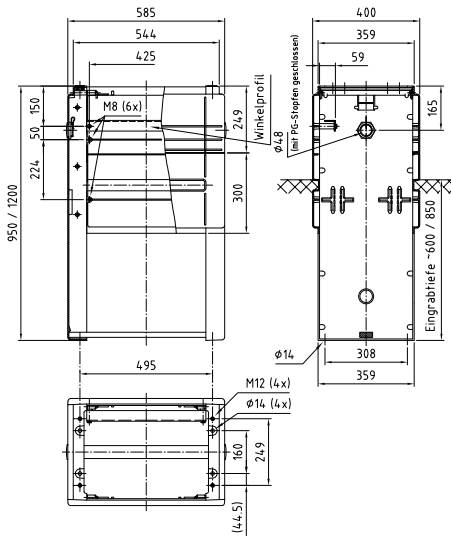
Height 950 / 1200
S4 950(1200)/320



590x412

suitable for cabinet WxD

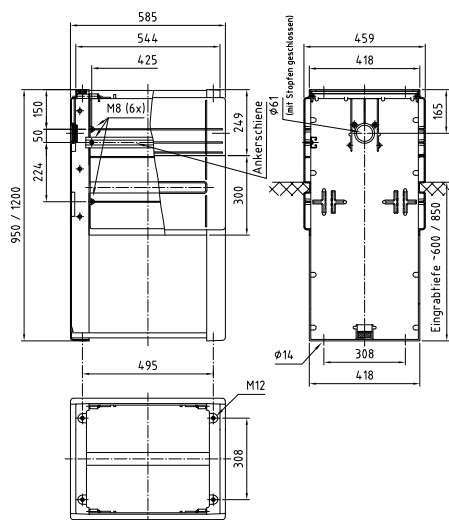
Height 950 / 1200
 S4 950(1200)/412



590x470

suitable for cabinet WxD

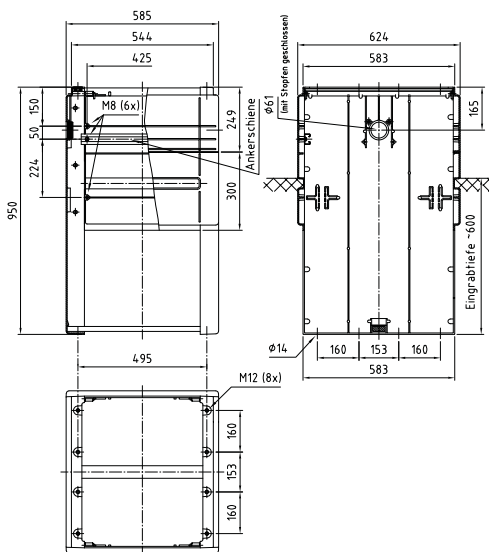
Height 950 / 1200
 S4 950(1200)/470



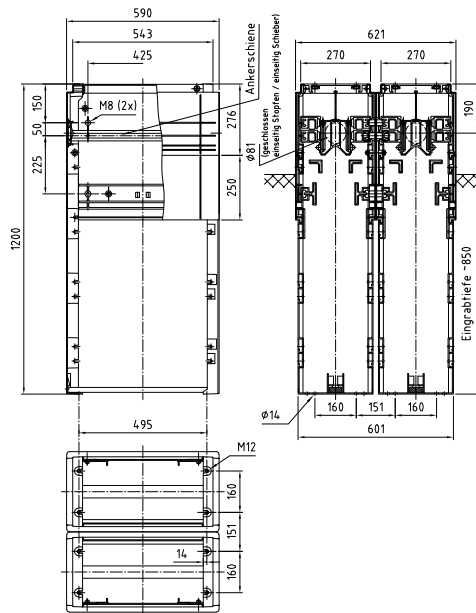
590x635

suitable for cabinet WxD

Height 950
 S4 950/635



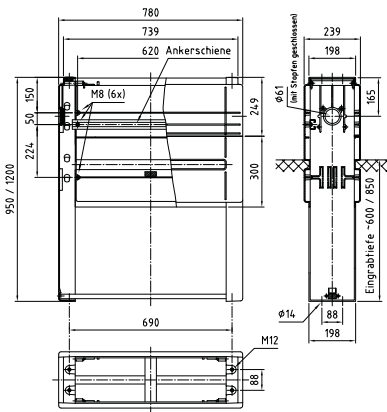
Height 1200
 S4 1200/635 R/R



785x250

suitable for cabinet WxD

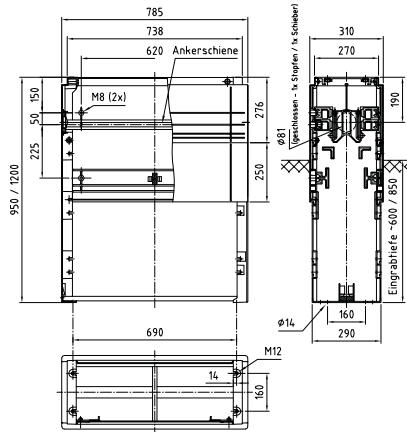
Height 950 / 1200
S5 950(1200)/250



785x320

suitable for cabinet WxD

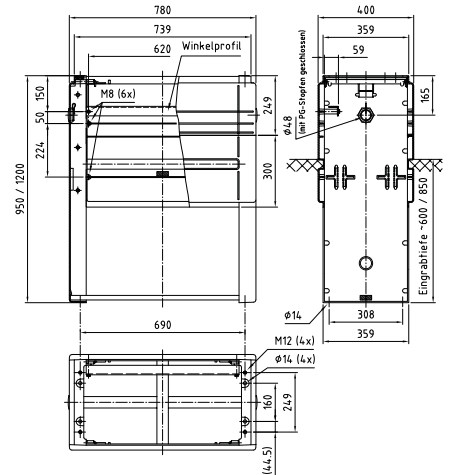
Height 950 / 1200
S5 950(1200)/320



785x412

suitable for cabinet WxD

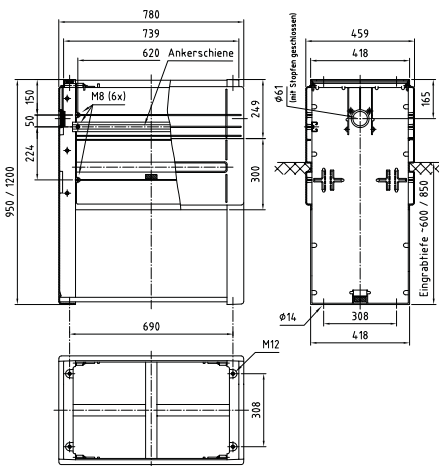
Height 950 / 1200
S5 950(1200)/412



785x470

suitable for cabinet WxD

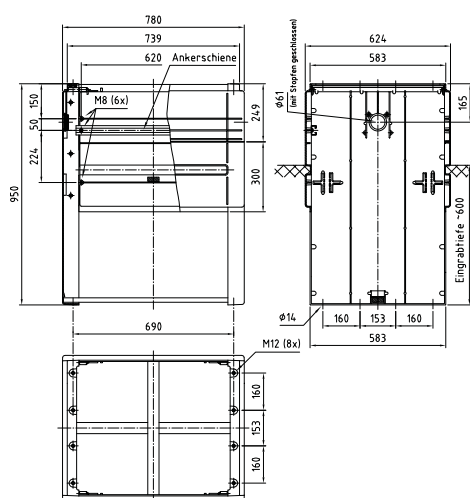
Height 950 / 1200
S5 950(1200)/470



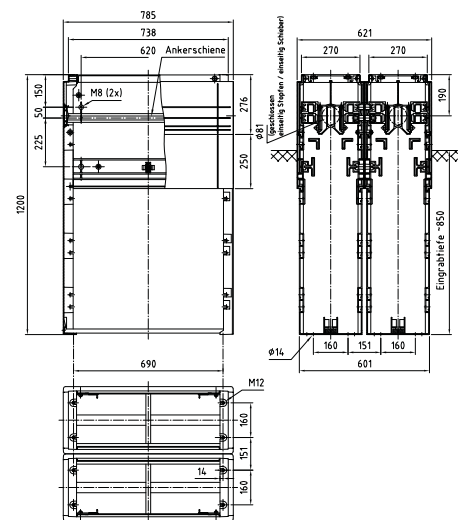
785x635

suitable for cabinet WxD

Height 950
S5 950/635



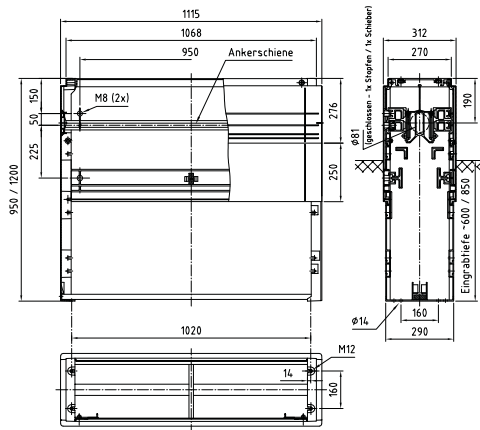
Height 1200
S5 1200/635 R/R



1115x320

suitable for cabinet WxD

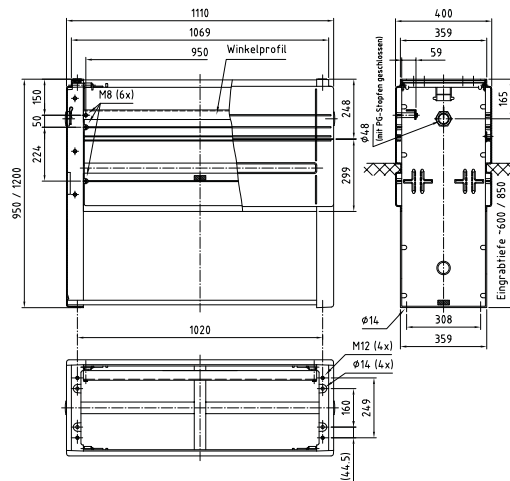
Height 950 / 1200
 S6 950(1200)/320



1115x412

suitable for cabinet WxD

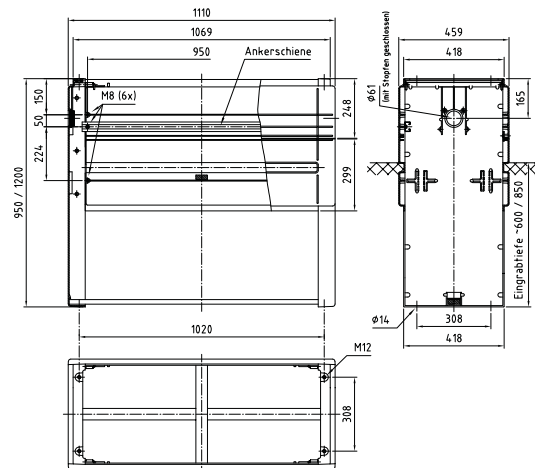
Height 950 / 1200
 S6 950(1200)/412



1115x470

suitable for cabinet WxD

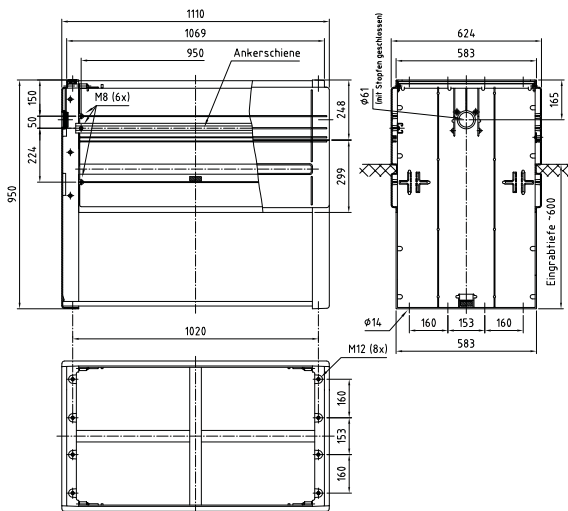
Height 950 / 1200
 S6 950(1200)/470



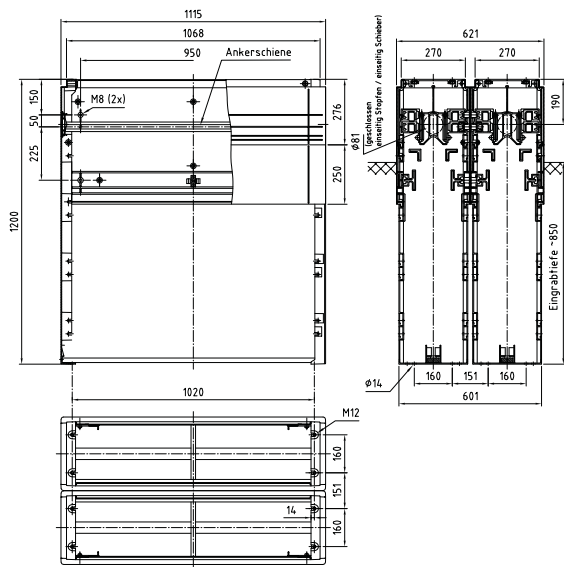
1115x635

suitable for cabinet WxD

Height 950
S6 950/635



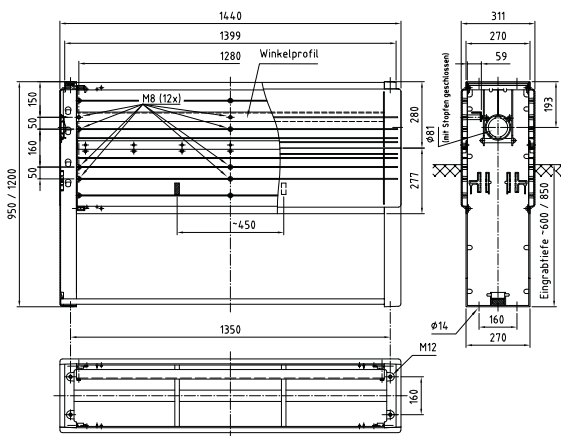
Height 1200
S6 1200/635 R/R



1445x320

suitable for cabinet WxD

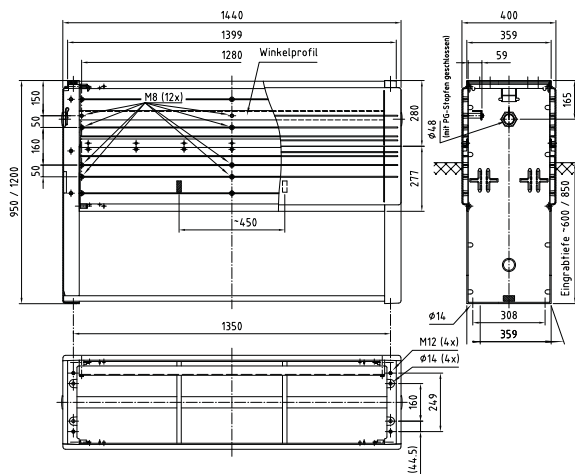
Height 950 / 1200
S X3 950(1200)/320



1445x412

suitable for cabinet WxD

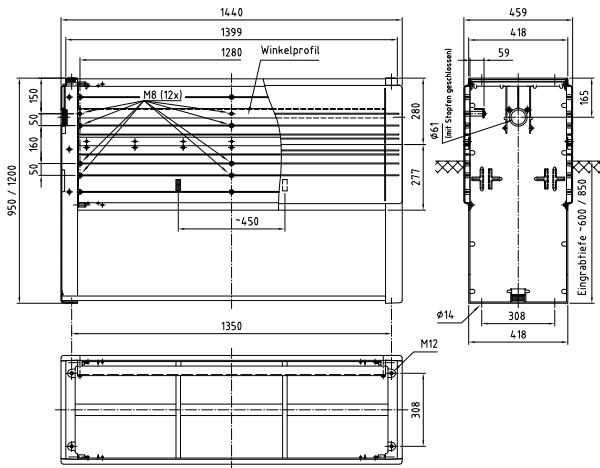
Height 950 / 1200
S X3 950(1200)/412



1445x470

suitable for cabinet WxD

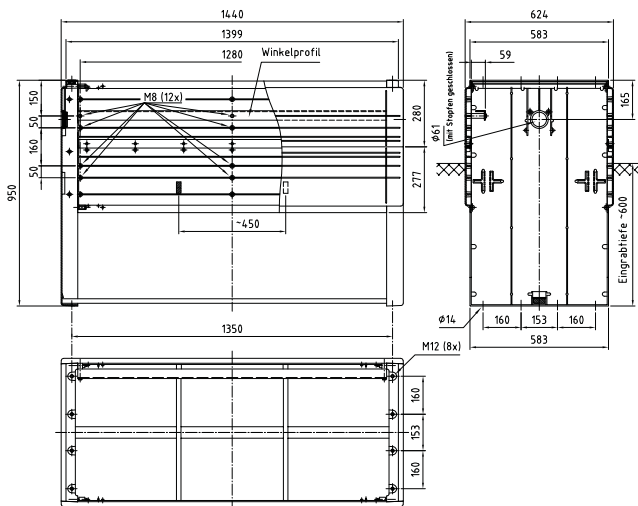
Height 950 / 1200
 S X3 950(1200)/470



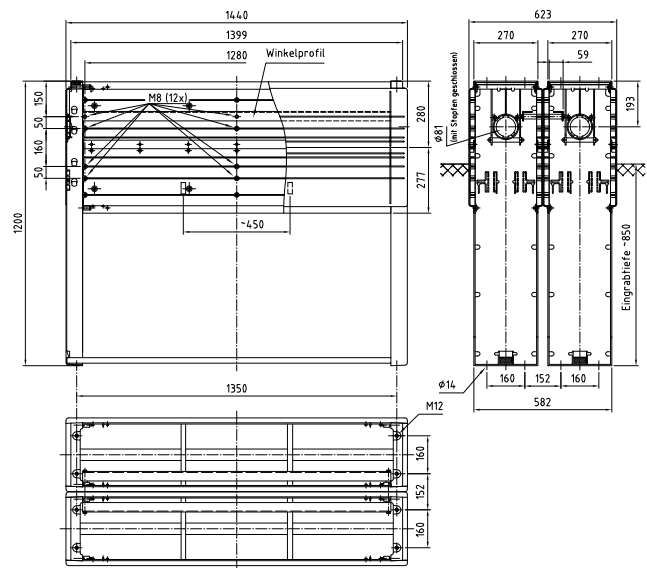
1445x635

suitable for cabinet WxD

Height 950
 S X3 950/635



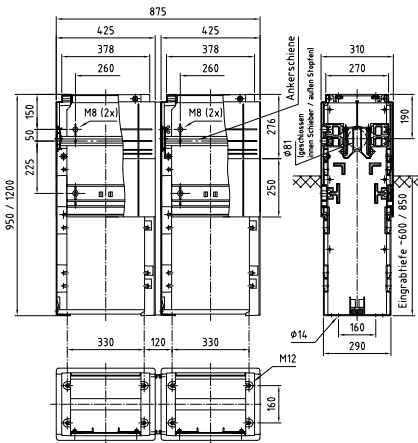
Height 1200
 S X3 1200/635 R/R



440-440 880x320

suitable for cabinet WxD

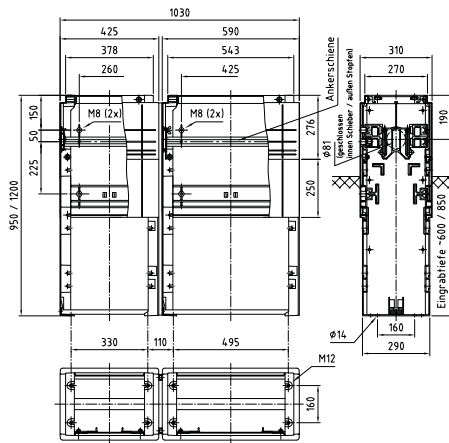
Height 950 / 1200
S3/1-S3/1 950(1200)/320



440-590 1030x320

suitable for cabinet WxD

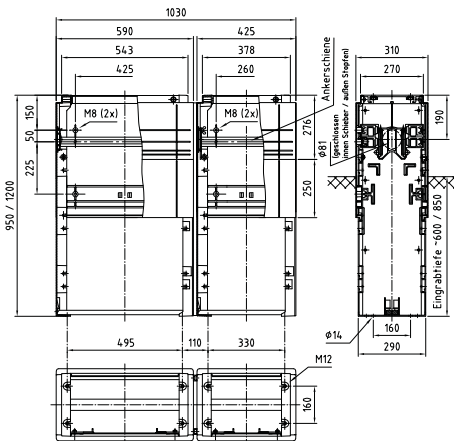
Height 950 / 1200
S3/1-S4 950(1200)/320



590-440 1030x320

suitable for cabinet WxD

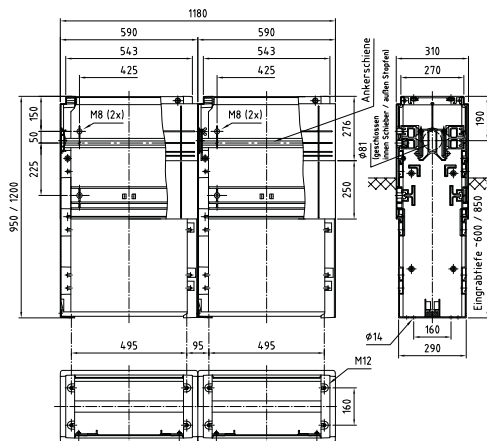
Height 950 / 1200
S4-S3/1 950(1200)/320



590-590 1180x320

suitable for cabinet WxD

Height 950 / 1200
S4-S4 950(1200)/320

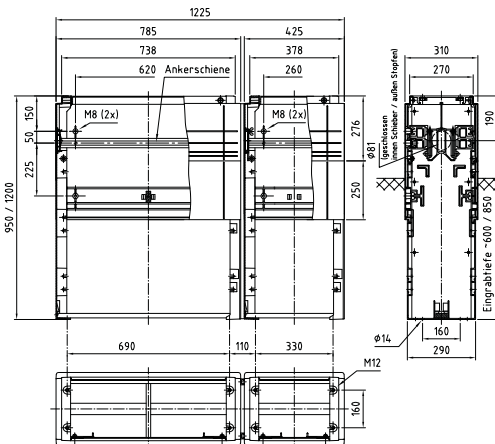
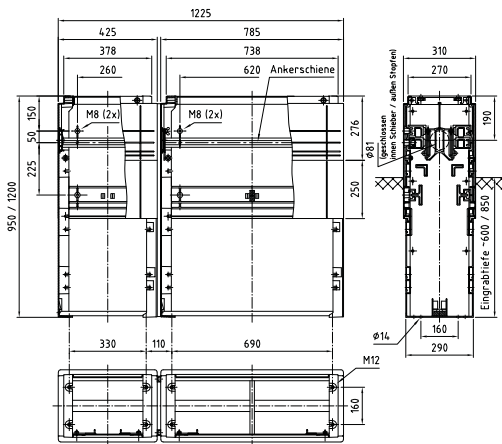


440-785
1225x320
 suitable for cabinet WxD

785-440
1225x320
 suitable for cabinet WxD

Height 950 / 1200
 S3/1-S5 950(1200)/320

Height 950 / 1200
 S5-S3/1 950(1200)/320

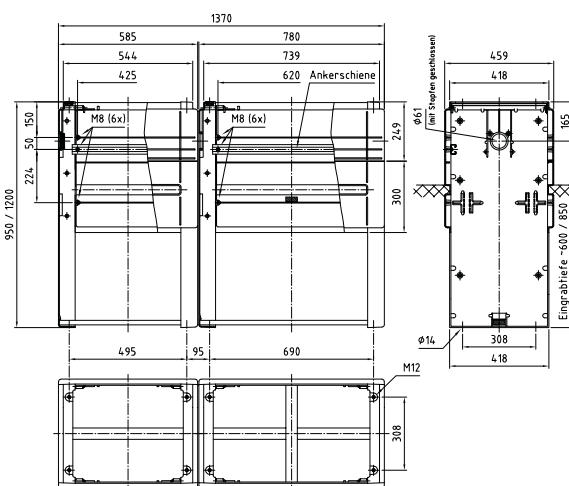
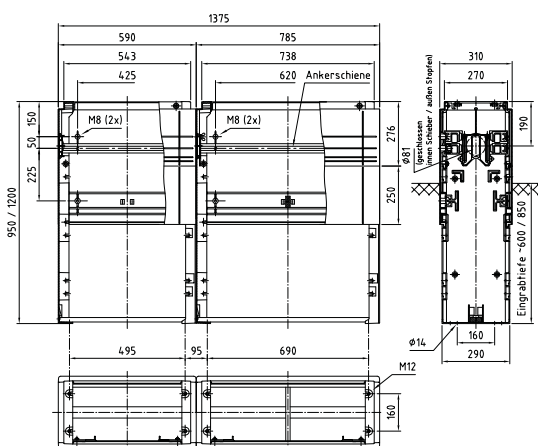


590-785
1375x320
 suitable for cabinet WxD

590-785
1375x470
 suitable for cabinet WxD

Height 950 / 1200
 S4-S5 950(1200)/320

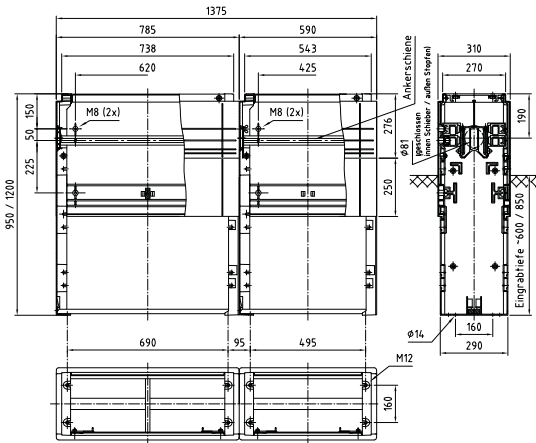
Height 950 / 1200
 S4-S5 950(1200)/470



785-590 1375x320

suitable for cabinet WxD

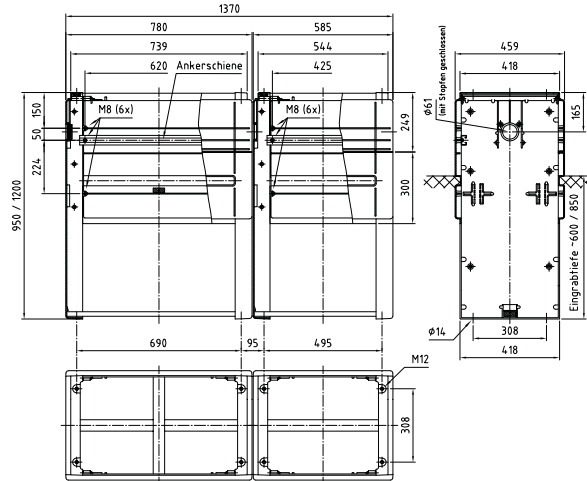
Height 950 / 1200
S5-S4 950(1200)/320



785-590 1375x470

suitable for cabinet WxD

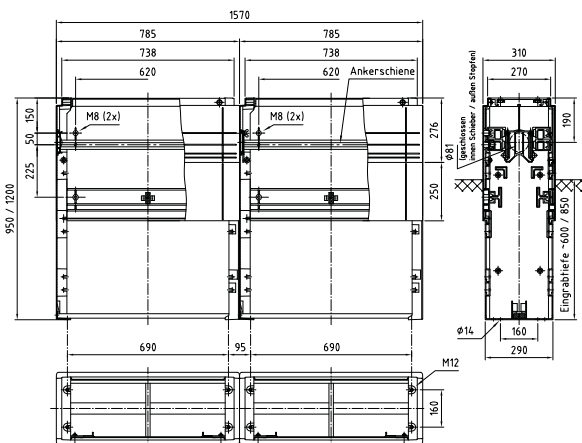
Height 950 / 1200
S5-S4 950(1200)/470



785-785 1570x320

suitable for cabinet WxD

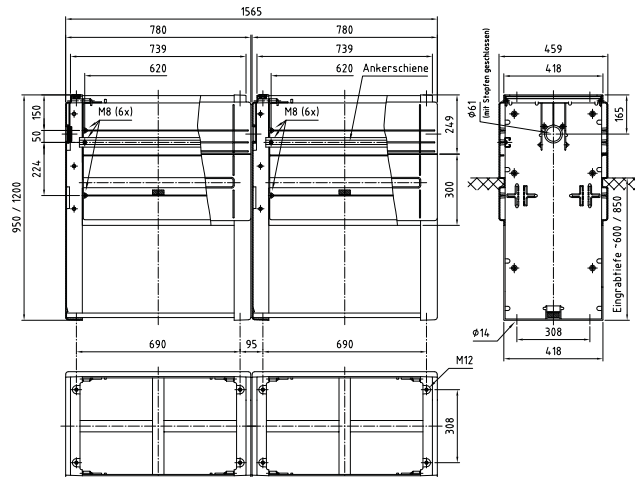
Height 950 / 1200
S5-S5 950(1200)/320



785-785 1570x470

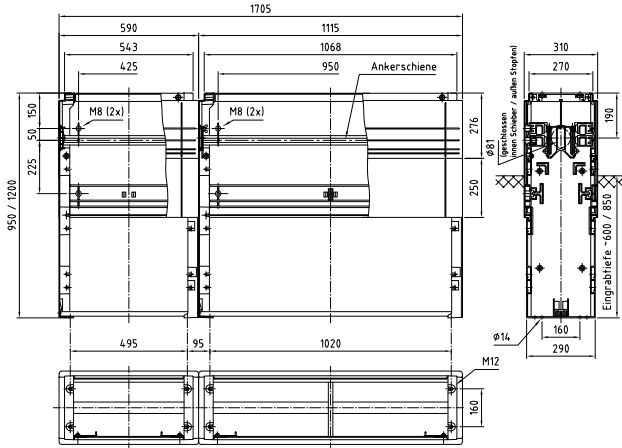
suitable for cabinet WxD

Height 950 / 1200
S5-S5 950(1200)/470



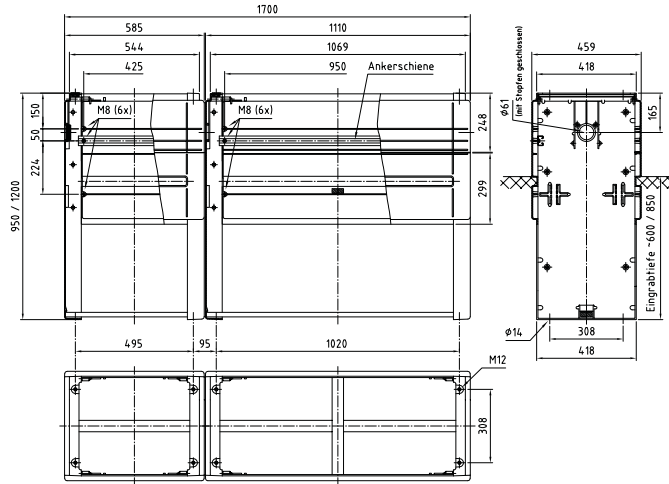
590-1115 **1705x320** suitable for cabinet WxD

Height 950 / 1200
S4-S6 950(1200)/320



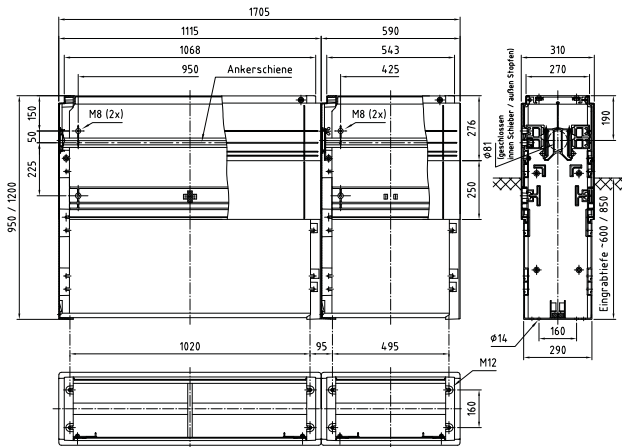
590-1115 **1705x470** suitable for cabinet WxD

Height 950 / 1200
S4-S6 950(1200)/470



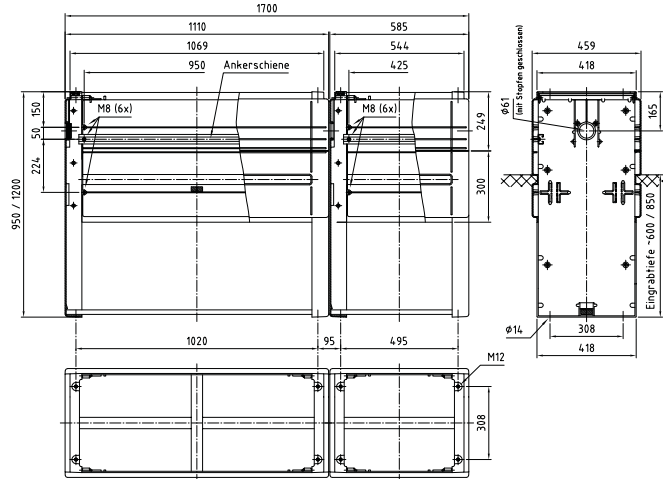
1115-590 **1705x320** suitable for cabinet WxD

Height 950 / 1200
S6-S4 950(1200)/320



1115-590 **1705x470** suitable for cabinet WxD

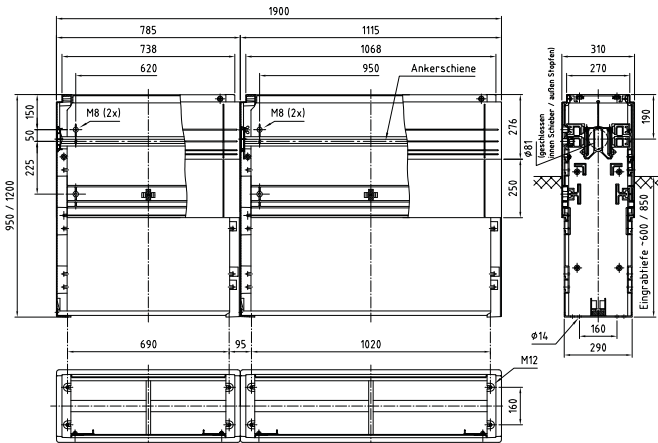
Height 950 / 1200
S6-S4 950(1200)/470



785-1115 1900x320

suitable for cabinet WxD

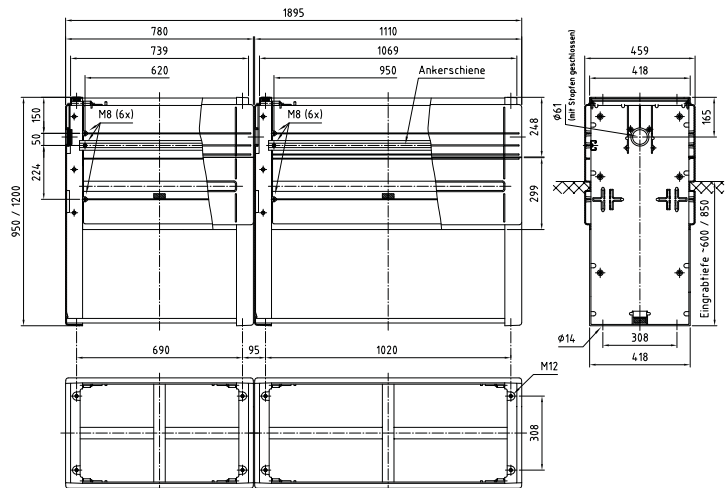
Height 950 / 1200
S5-S6 950(1200)/320



785-1115 1900x470

suitable for cabinet WxD

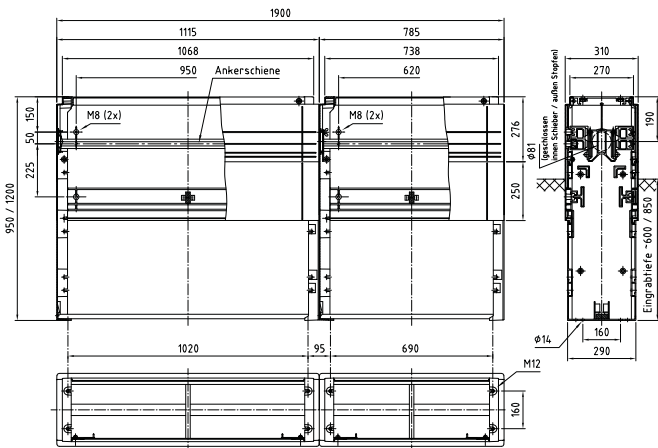
Height 950 / 1200
S5-S6 950(1200)/470



1115-785 1900x320

suitable for cabinet WxD

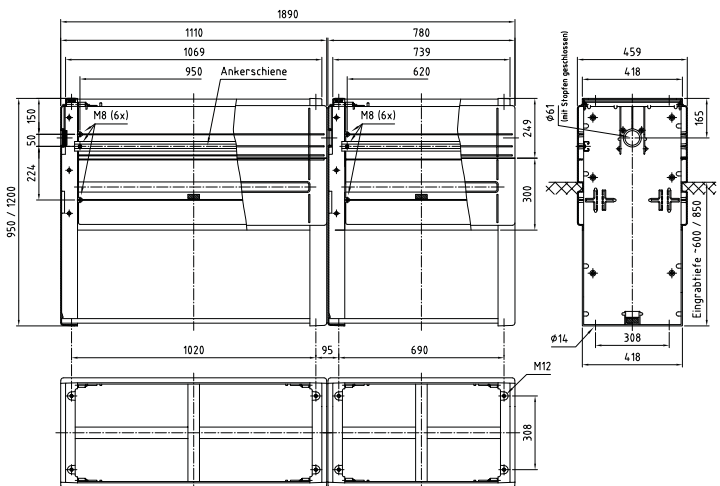
Height 950 / 1200
S6-S5 950(1200)/320



1115-785 1900x470

suitable for cabinet WxD

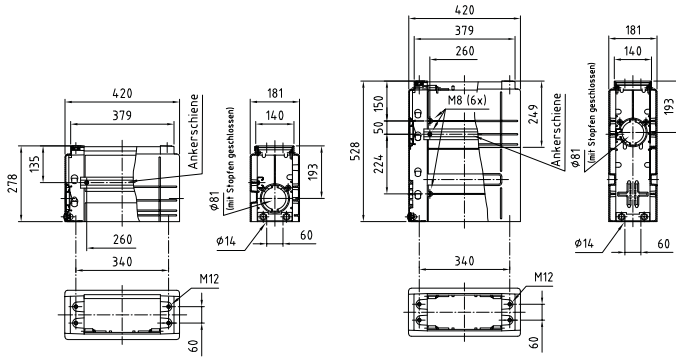
Height 950 / 1200
S6-S5 950(1200)/470



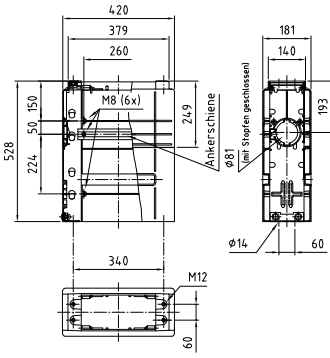
440x200

suitable for cabinet WxD

Height 250
SB3 250/180



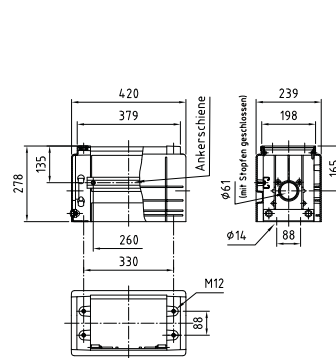
Height 500
SB3 500/180



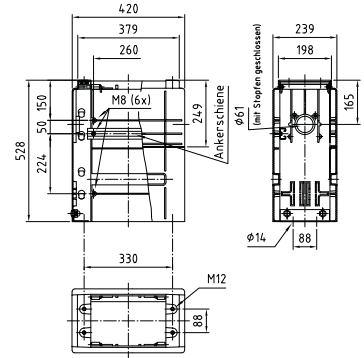
440x250

suitable for cabinet WxD

Height 250
SB3/1 250/250



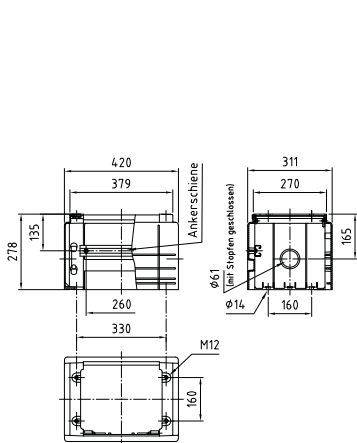
Height 500
SB3/1 500/250



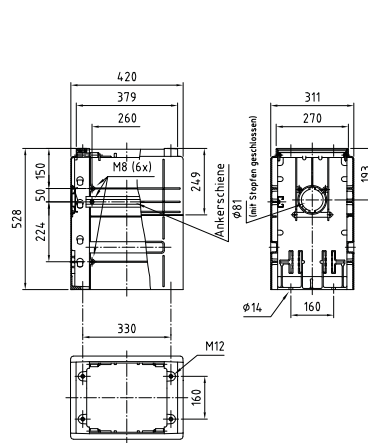
440x320

suitable for cabinet WxD

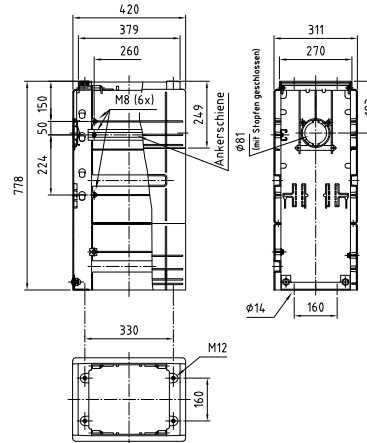
Height 250
SB3/1 250/320



Height 500
SB3/1 500/320



Height 750
SB3/1 750/320

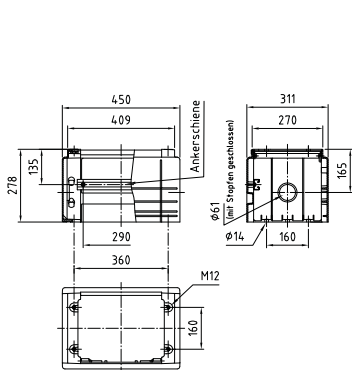


460x320

suitable for cabinet WxD

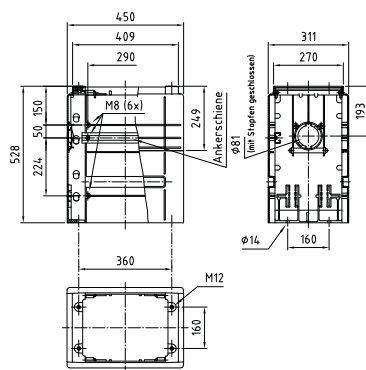
Height 250

SB X00 250/320



Height 500

SB X00 500/320

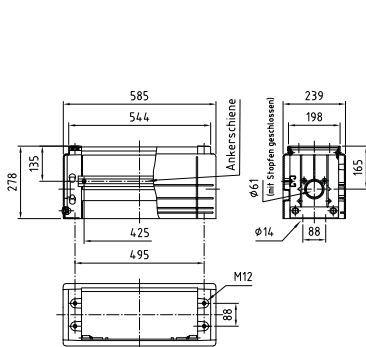


590x250

suitable for cabinet WxD

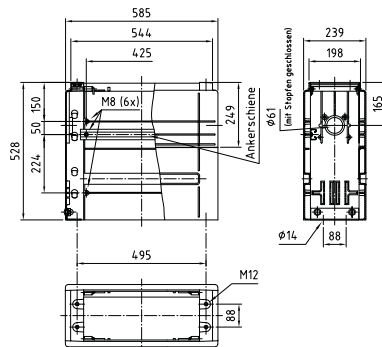
Height 250

SB4 250/250



Height 500

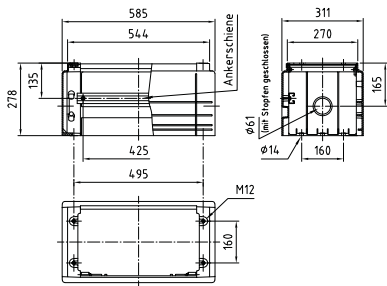
SB4 500/250



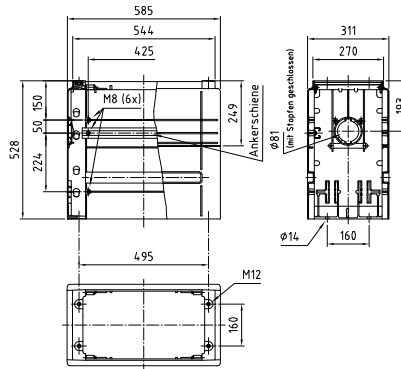
590x320

suitable for cabinet WxD

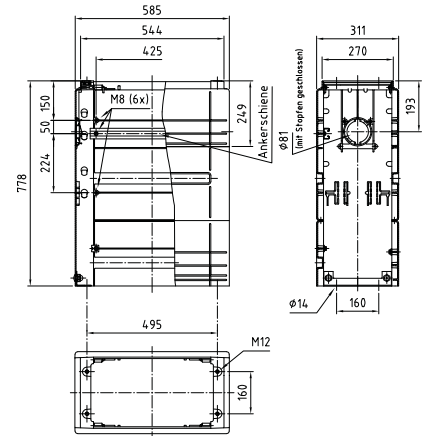
Height 250
 SB4 250/320



Height 500
 SB4 500/320



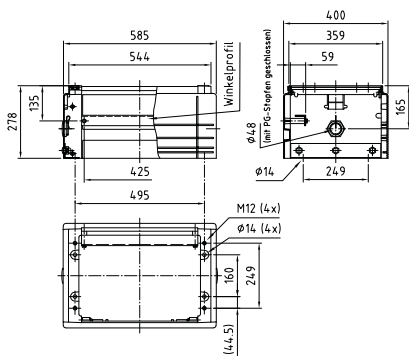
Height 750
 SB4 750/320



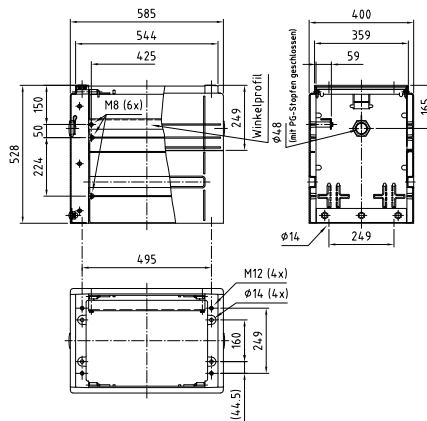
590x412

suitable for cabinet WxD

Height 250
 SB4 250/412



Height 500
 SB4 500/412

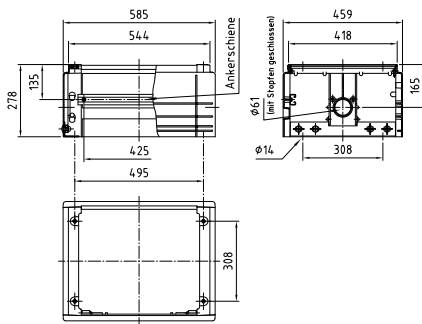


590x470

suitable for cabinet WxD

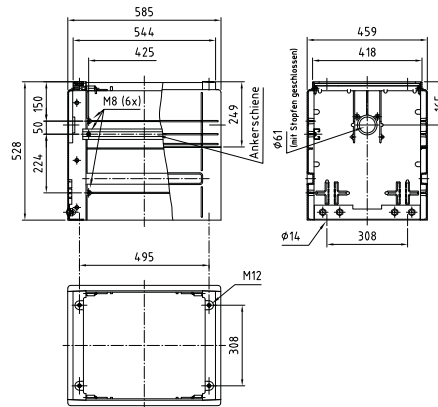
Height 250

SB4 250/470



Height 500

SB4 500/470

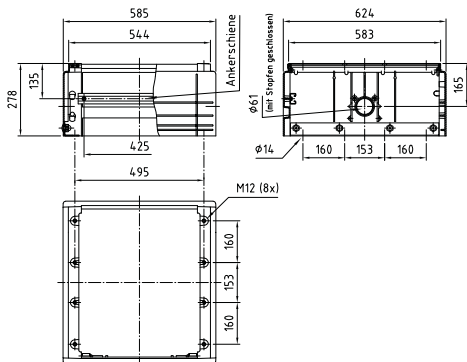


590x635

suitable for cabinet WxD

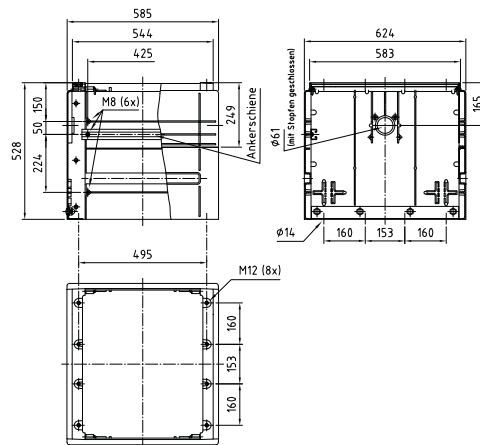
Height 250

SB4 250/635



Height 500

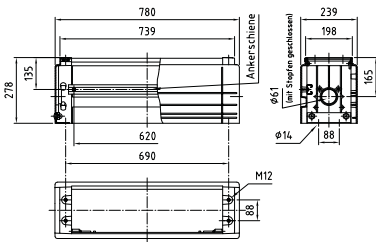
SB4 500/635



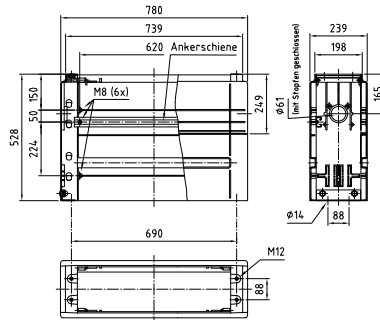
785x250

suitable for cabinet WxD

Height 250
 SB5 250/250



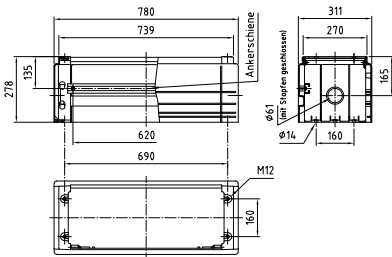
Height 500
 SB5 500/250



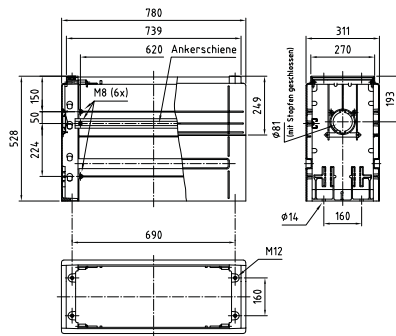
785x320

suitable for cabinet WxD

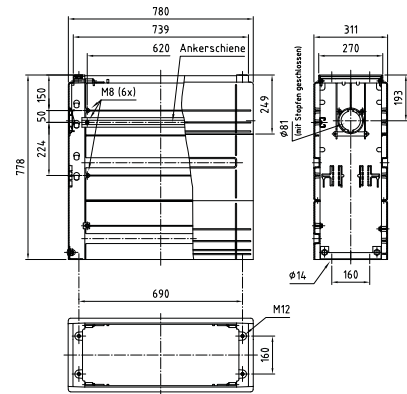
Height 250
 SB5 250/320



Height 500
 SB5 500/320



Height 750
 SB5 750/320

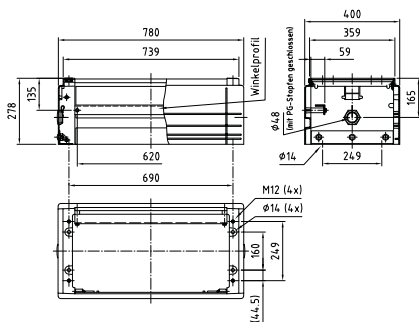


785x412

suitable for cabinet WxD

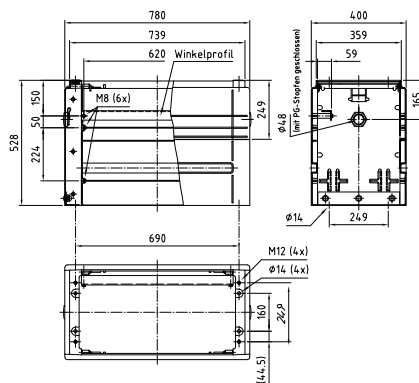
Height 250

SB5 250/412



Height 500

SB5 500/412

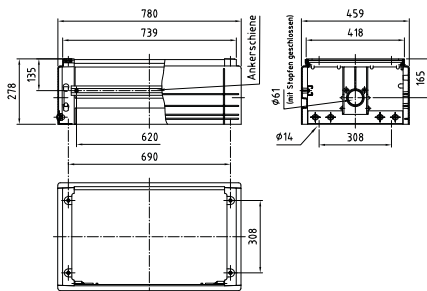


785x470

suitable for cabinet WxD

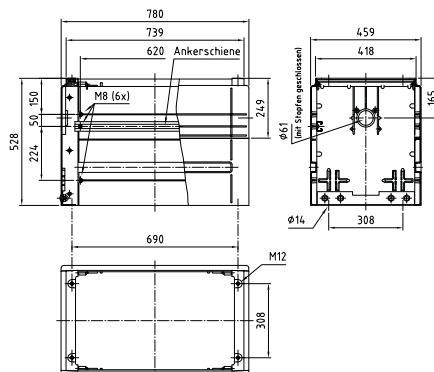
Height 250

SB5 250/470



Height 500

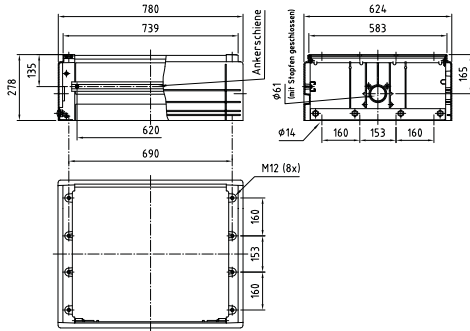
SB5 500/470



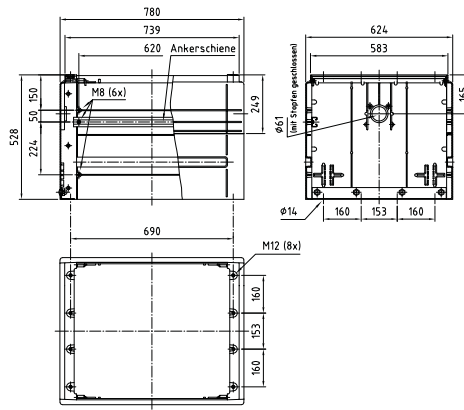
785x635

suitable for cabinet WxD

Height 250
 SB5 250/635



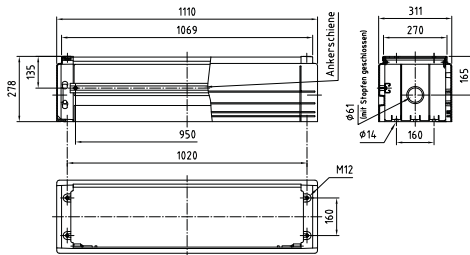
Height 500
 SB5 500/635



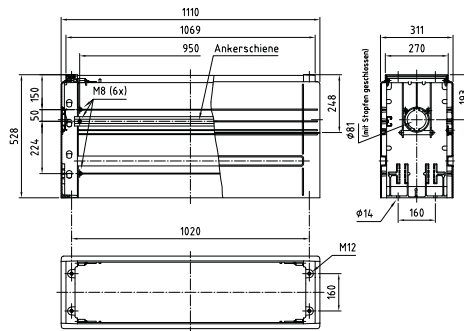
1115x320

suitable for cabinet WxD

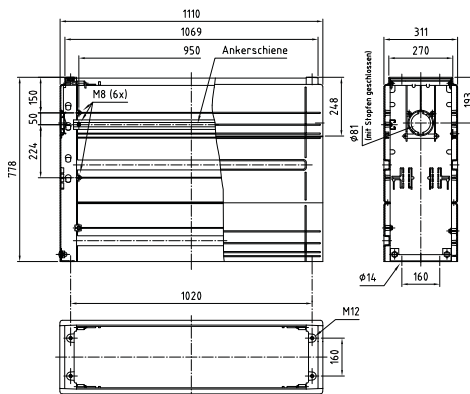
Height 250
 SB6 250/320



Height 500
 SB6 500/320



Height 750
 SB6 750/320

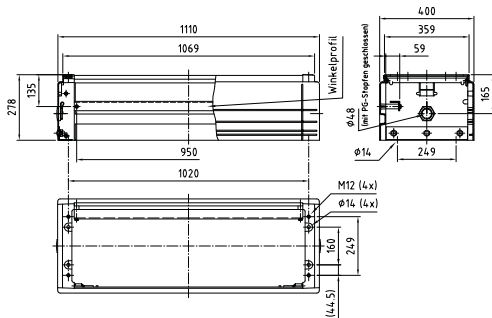


1115x412

suitable for cabinet WxD

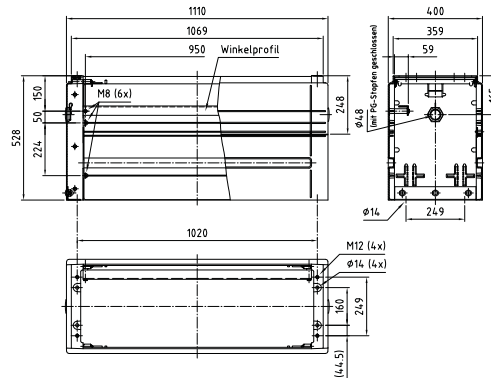
Height 250

SB6 250/412



Height 500

SB6 500/412

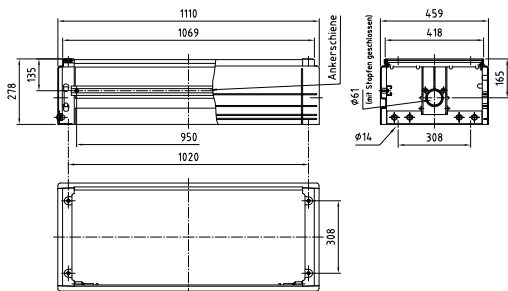


1115x470

suitable for cabinet WxD

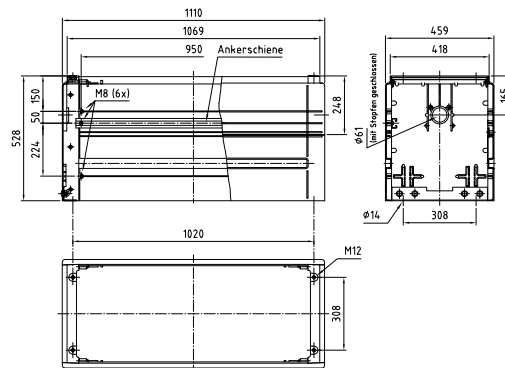
Height 250

SB6 250/470



Height 500

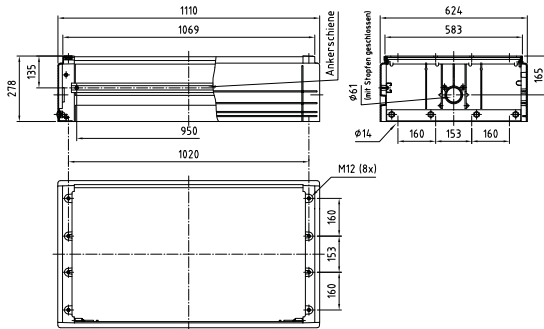
SB6 500/470



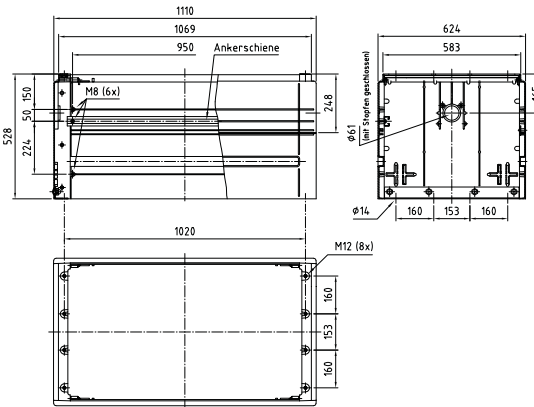
1115x635

suitable for cabinet WxD

Height 250
 SB6 250/635



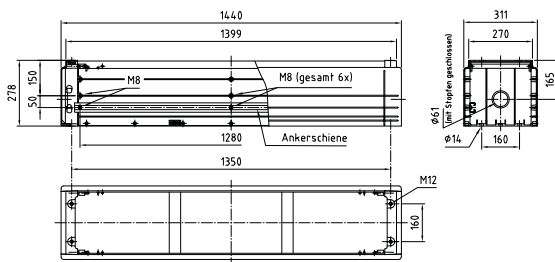
Height 500
 SB6 500/635



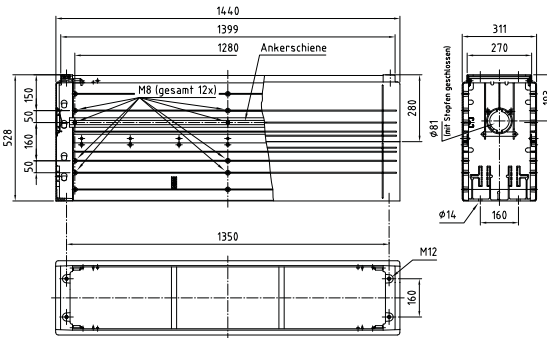
1445x320

suitable for cabinet WxD

Height 250
 SB X3 250/320



Height 500
 SB X3 500/320

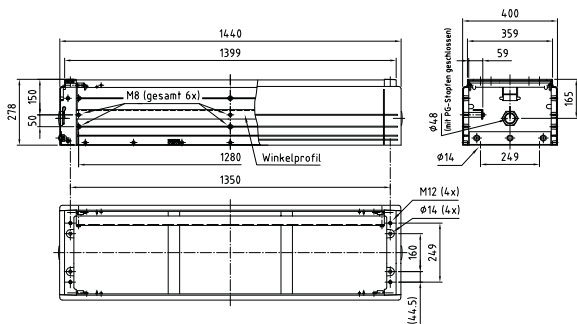


1445x412

suitable for cabinet WxD

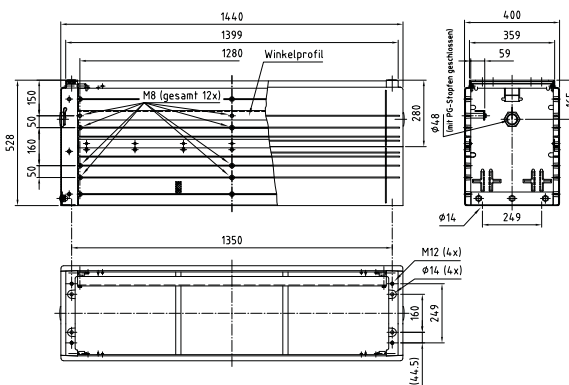
Height 250

SB X3 250/412



Height 500

SB X3 500/412

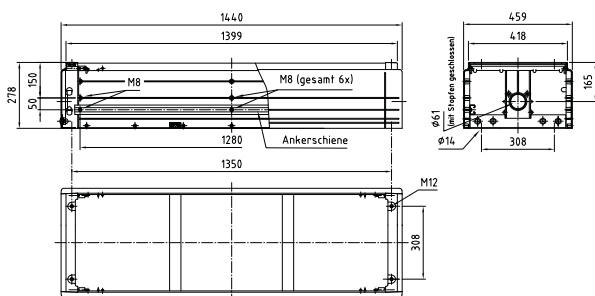


1445x470

suitable for cabinet WxD

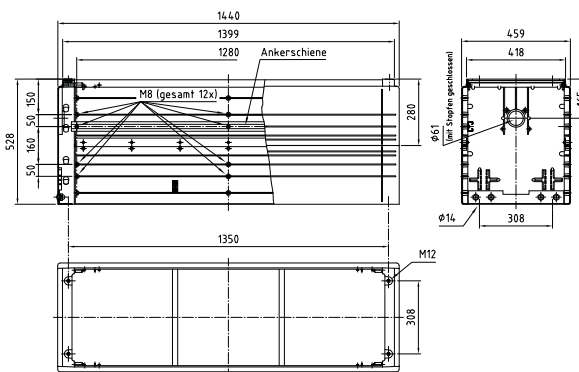
Height 250

SB X3 250/470



Height 500

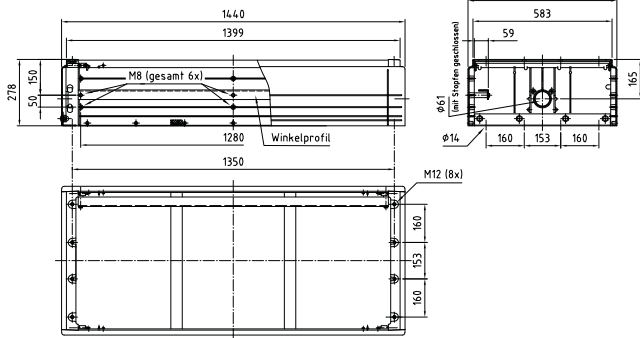
SB X3 500/470



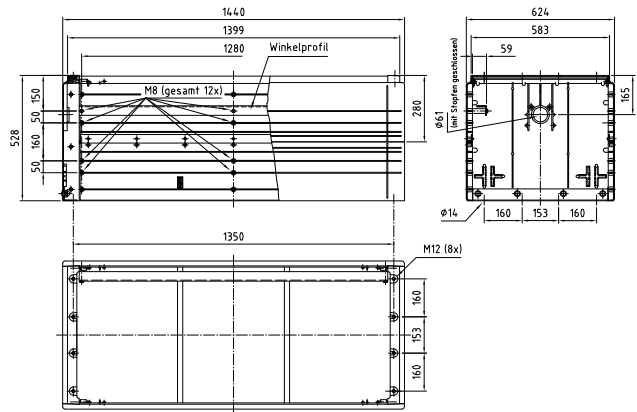
1445x635

suitable for cabinet WxD

Height 250
SB X3 250/635

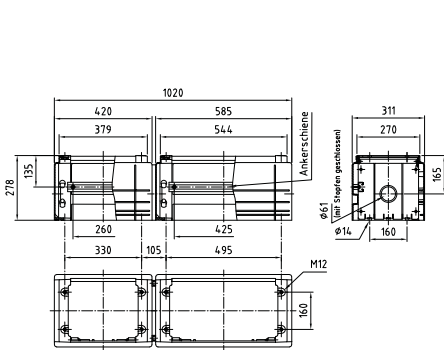


Height 500
SB X3 500/635

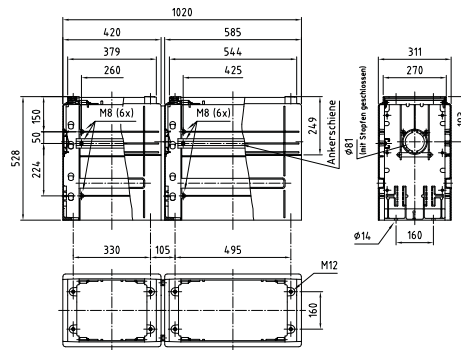


440-590
1030x320
suitable for cabinet WxD

Height 250
SBK 3/1-4 250/320

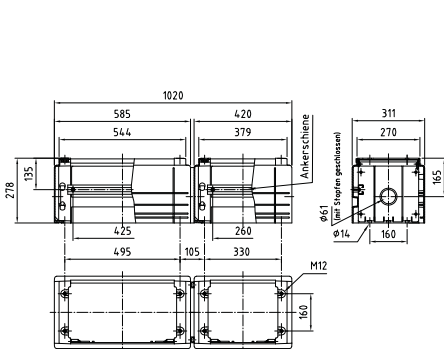


Height 500
SBK 3/1-4 500/320

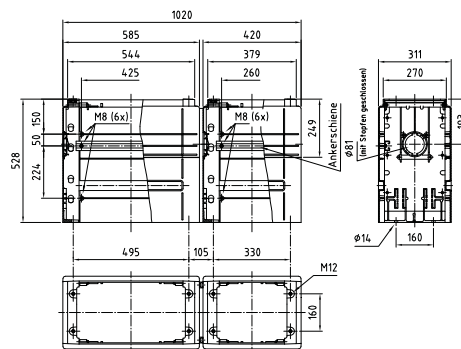


590-440
1030x320
suitable for cabinet WxD

Height 250
SBK 4-3/1 250/320

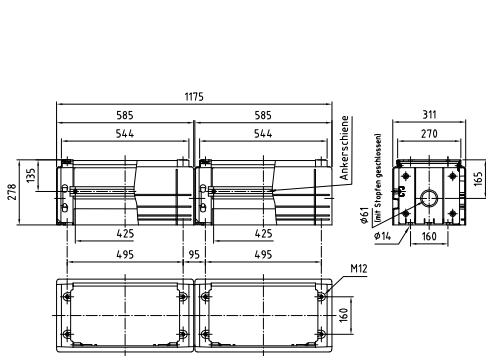


Height 500
SBK 4-3/1 500/320

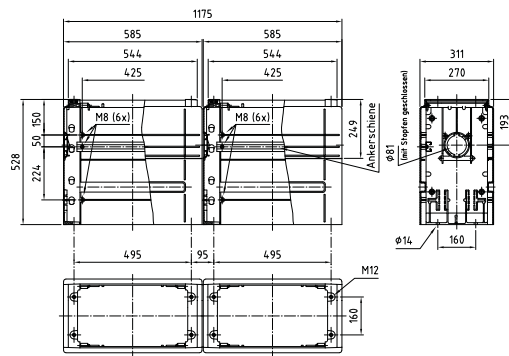


590-590
1180x320
 suitable for cabinet WxD

Height 250
 SBK 4-4 250/320

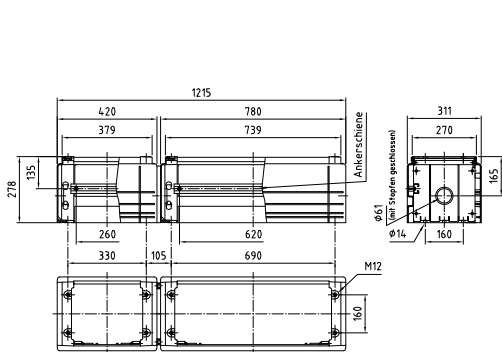


Height 500
 SBK 4-4 500/320

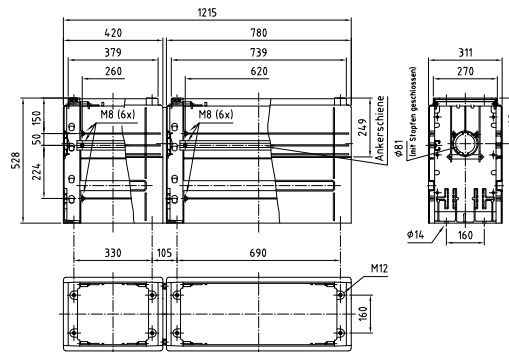


440-785
1225x320
 suitable for cabinet WxD

Height 250
 SBK 3/1-5 250/320



Height 500
 SBK 3/1-5 500/320



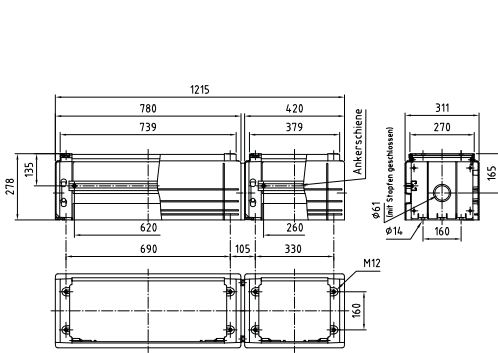
785-440

1225x320

suitable for cabinet WxD

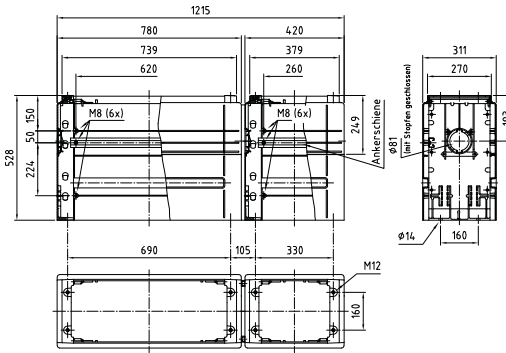
Height 250

SBK 5-3/1 250/320



Height 500

SBK 5-3/1 500/320



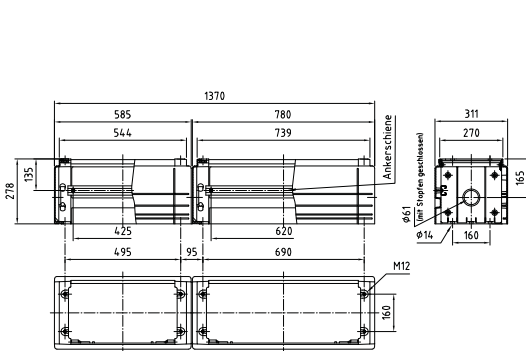
590-785

1375x320

suitable for cabinet WxD

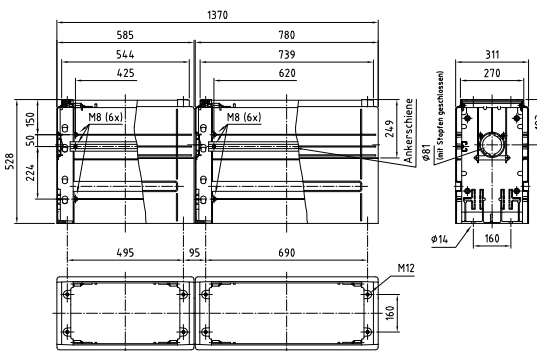
Height 250

SBK 4-5 250/320



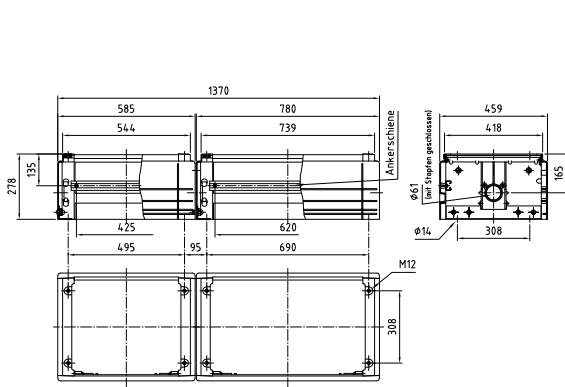
Height 500

SBK 4-5 500/320

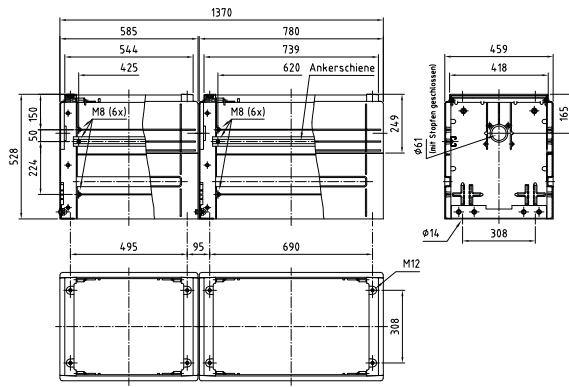


590-785
1375x470
 suitable for cabinet WxD

Height 250
 SBK 4-5 250/470

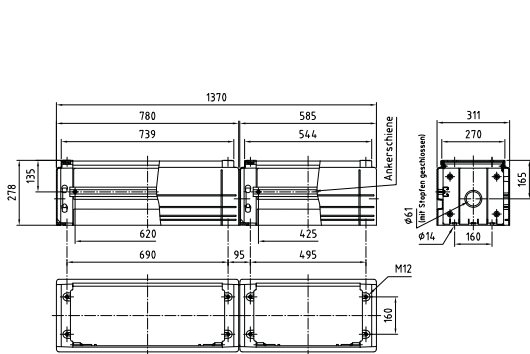


Height 500
 SBK 4-5 500/470

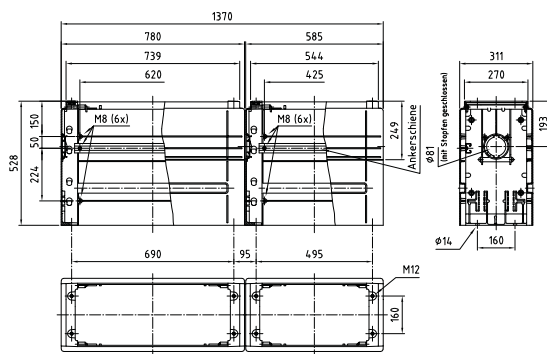


785-590
1375x320
 suitable for cabinet WxD

Height 250
 SBK 5-4 250/320



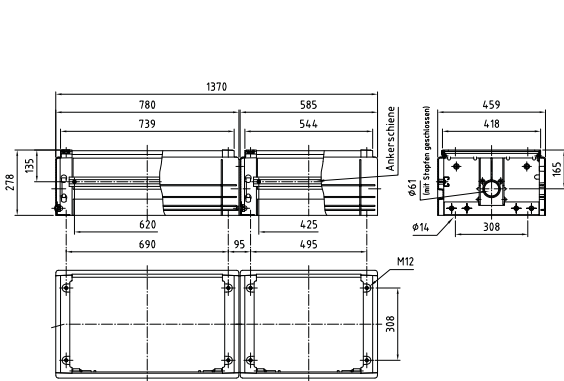
Height 500
 SBK 5-4 500/320



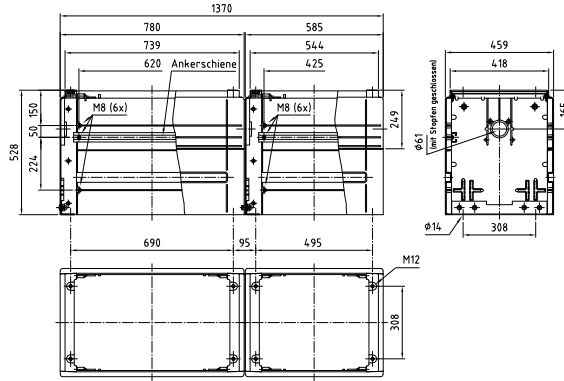
785-590 1375x470

suitable for cabinet WxD

Height 250
SBK 5-4 250/470



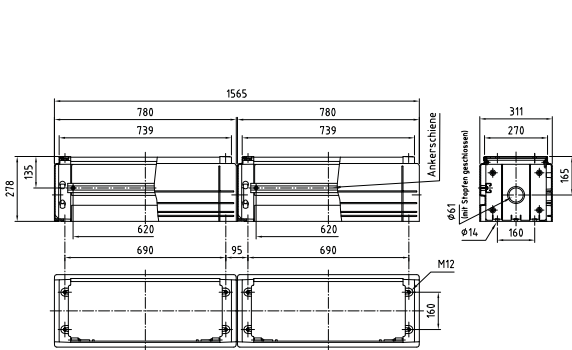
Height 500
SBK 5-4 500/470



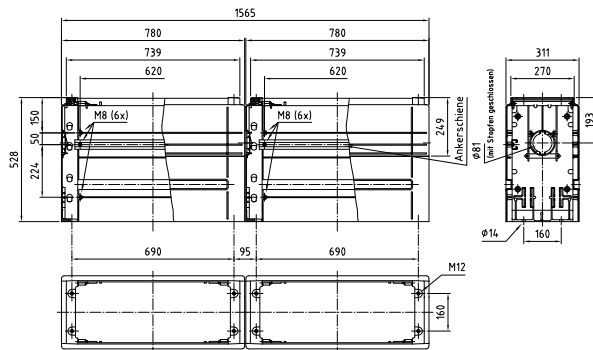
785-785 1570x320

suitable for cabinet WxD

Height 250
SBK 5-5 250/320



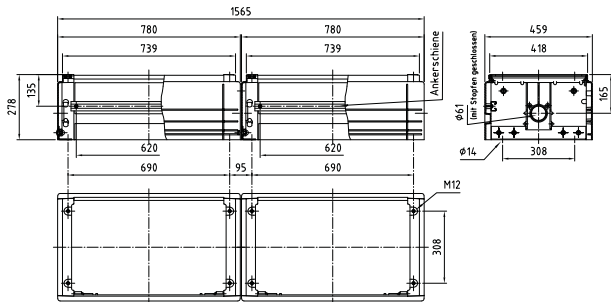
Height 500
SBK 5-5 500/320



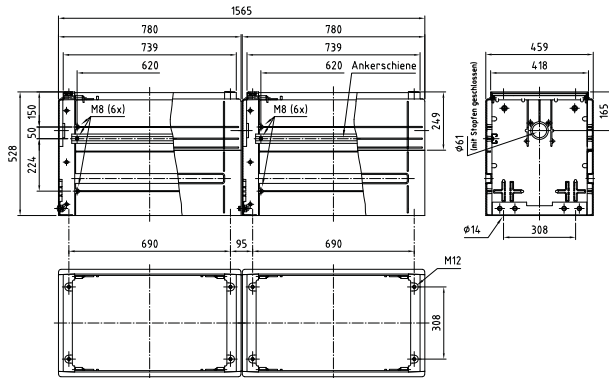
785-785
1570x470

suitable for cabinet WxD

Height 250
 SBK 5-5 250/470



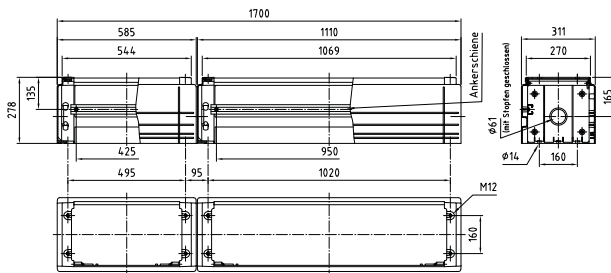
Height 500
 SBK 5-5 500/470



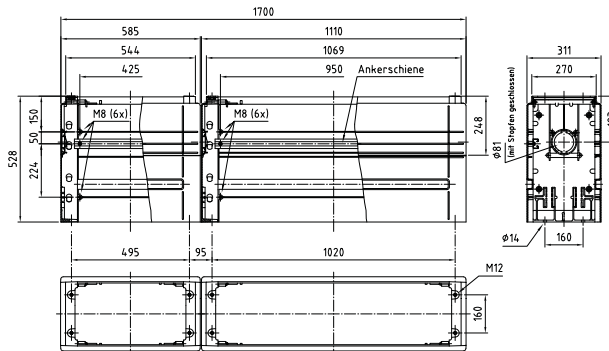
590-1115
1705x320

suitable for cabinet WxD

Height 250
 SBK 4-6 250/320



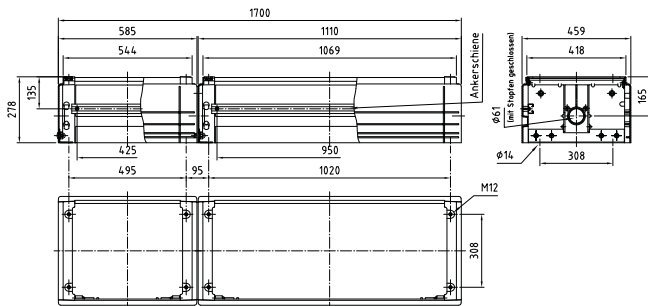
Height 500
 SBK 4-6 500/320



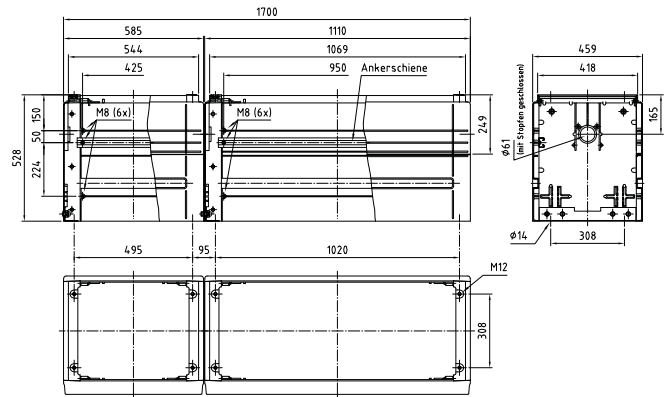
590-1115 1705x470

suitable for cabinet WxD

Height 250
SBK 4-6 250/470



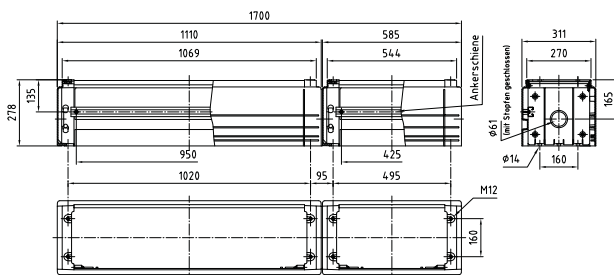
Height 500
SBK 4-6 500/470



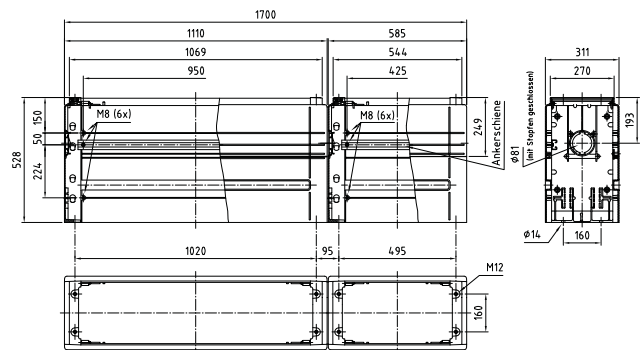
1115-590 1705x320

suitable for cabinet WxD

Height 250
SBK 6-4 250/320

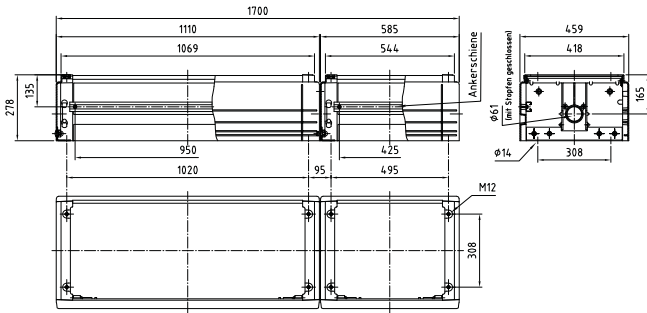


Height 500
SBK 6-4 500/320

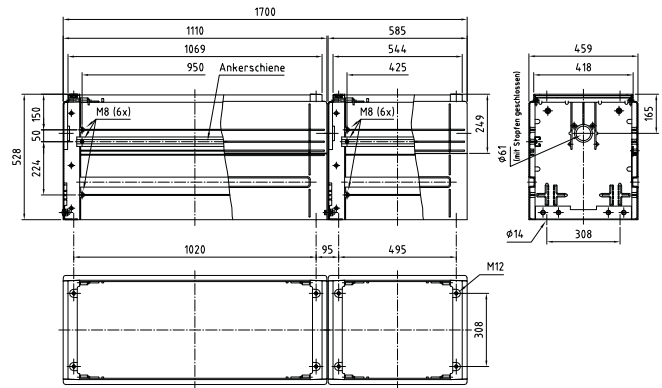


1115-590
1705x470
 suitable for cabinet WxD

Height 250
 SBK 6-4 250/470

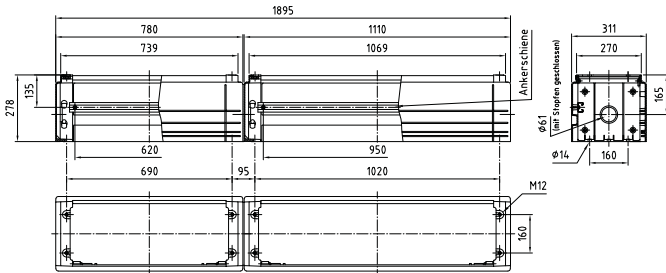


Height 500
 SBK 6-4 500/470

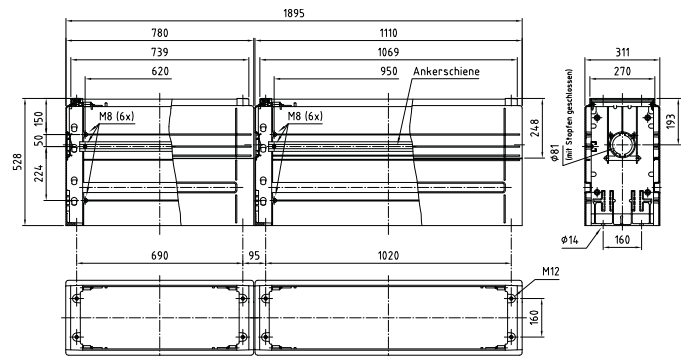


785-1115
1900x320
 suitable for cabinet WxD

Height 250
 SBK 5-6 250/320



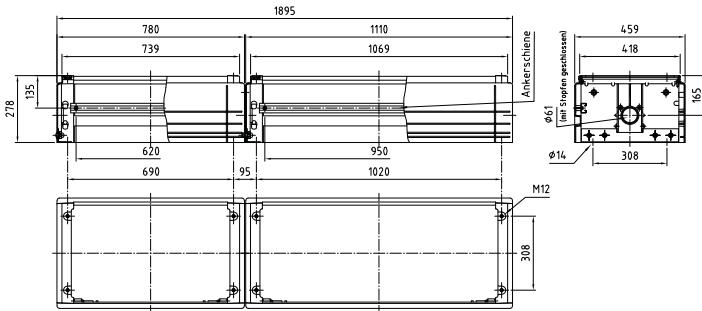
Height 500
 SBK 5-6 500/320



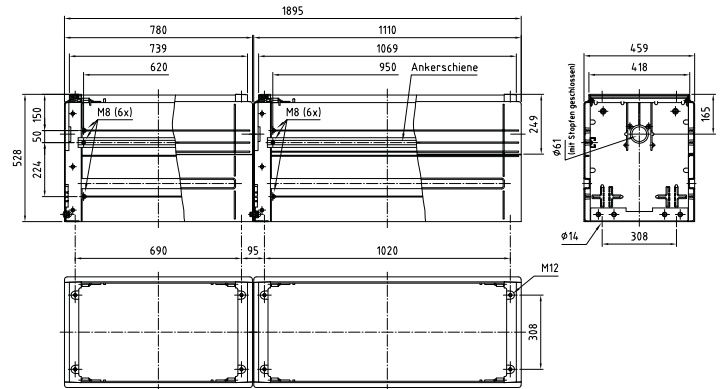
785-1115 1900x470

suitable for cabinet WxD

Height 250
SBK 5-6 250/470



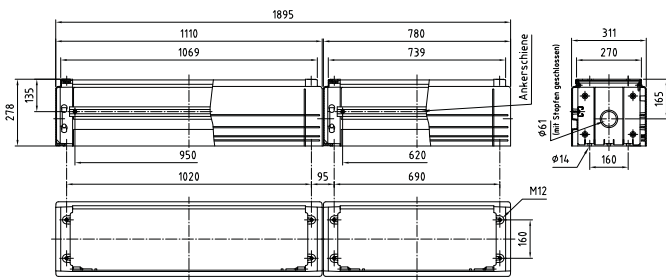
Height 500
SBK 5-6 500/470



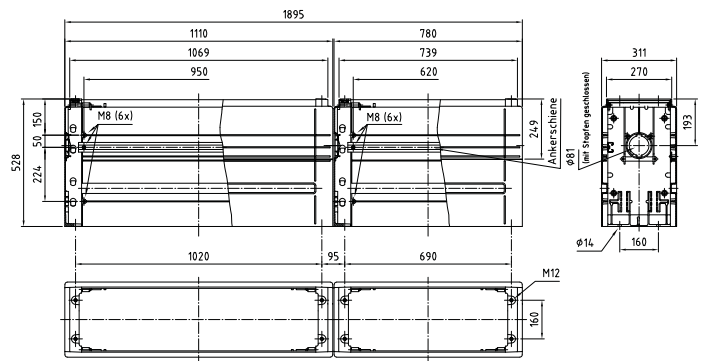
1115-785 1900x320

suitable for cabinet WxD

Height 250
SBK 6-5 250/320

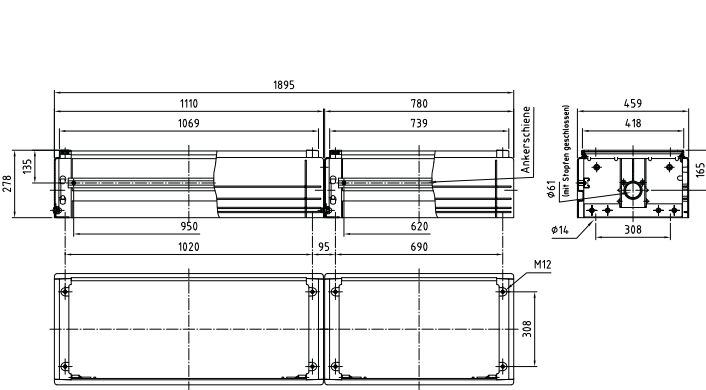


Height 500
SBK 6-5 500/320

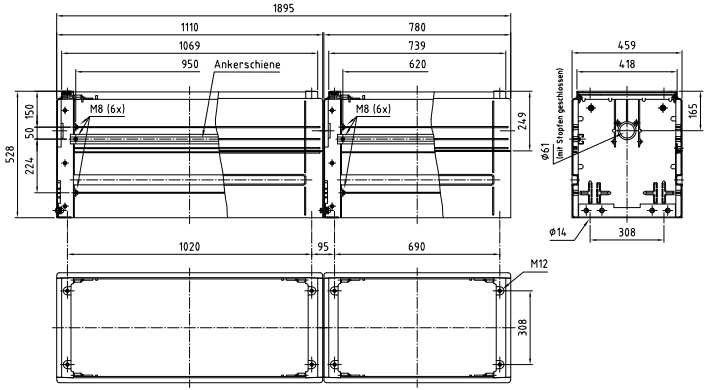


1115-785
1900x470
 suitable for cabinet WxD

Height 250
 SBK 6-5 250/470



Height 500
 SBK 6-5 500/470

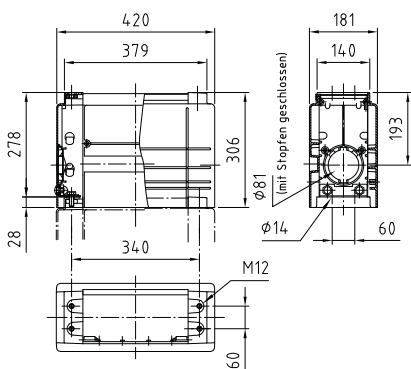


440x200

suitable for cabinet WxD

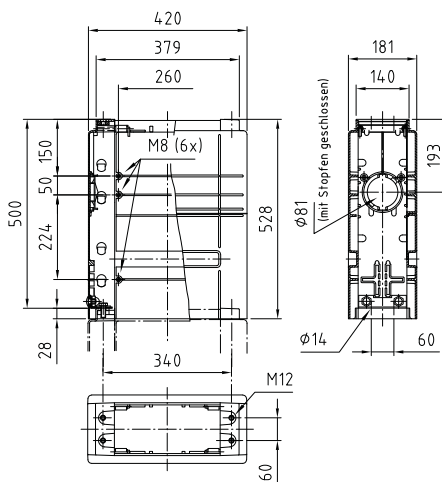
Height 250

SV3 250/180



Height 500

SV3 500/180

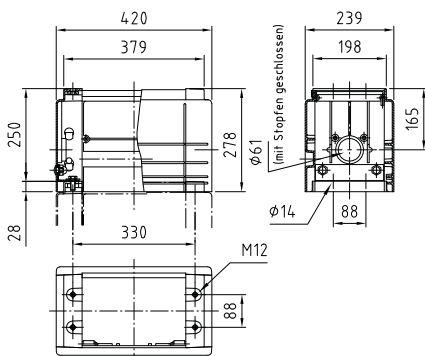


440x250

suitable for cabinet WxD

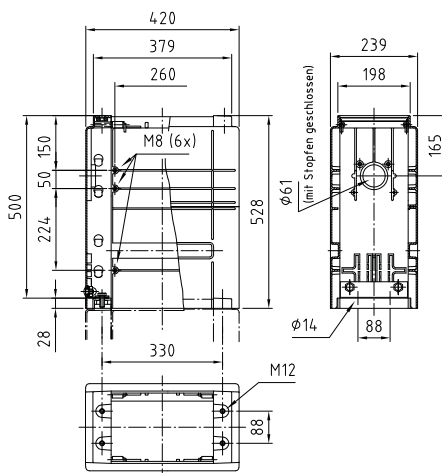
Height 250

SV3/1 250/250



Height 500

SV3/1 500/250

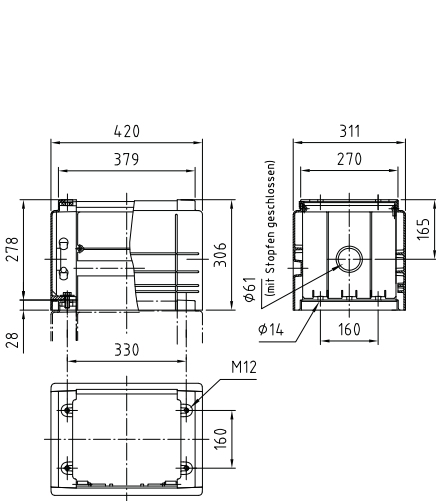


440x320

suitable for cabinet WxD

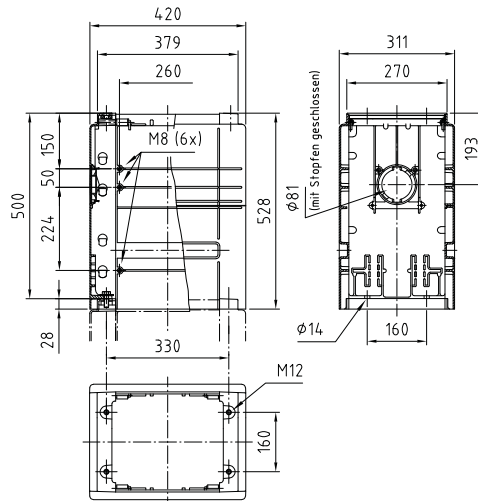
Height 250

SV3/1 250/320



Height 500

SV3/1 500/320

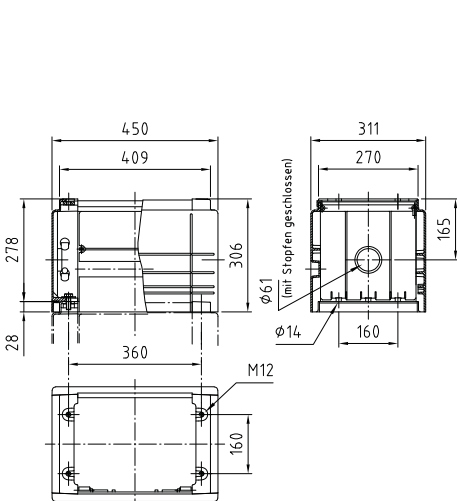


460x320

suitable for cabinet WxD

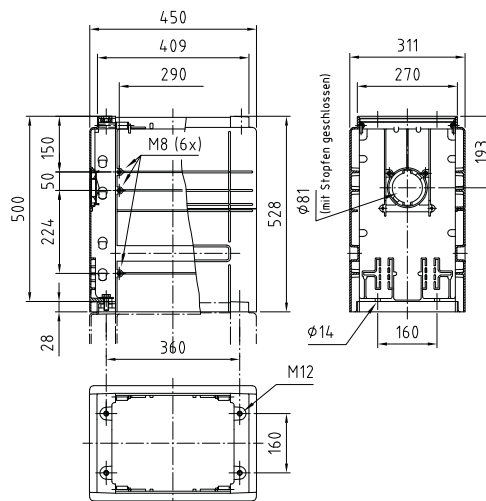
Height 250

SV X00 250/320



Height 500

SV X00 500/320

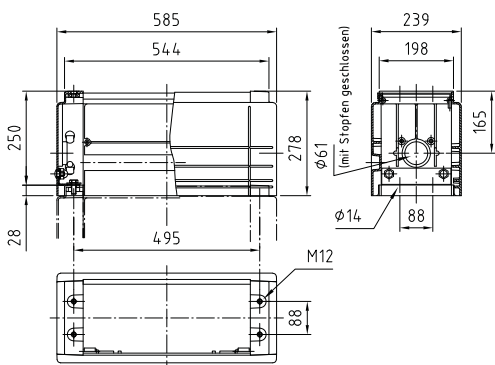


590x250

suitable for cabinet WxD

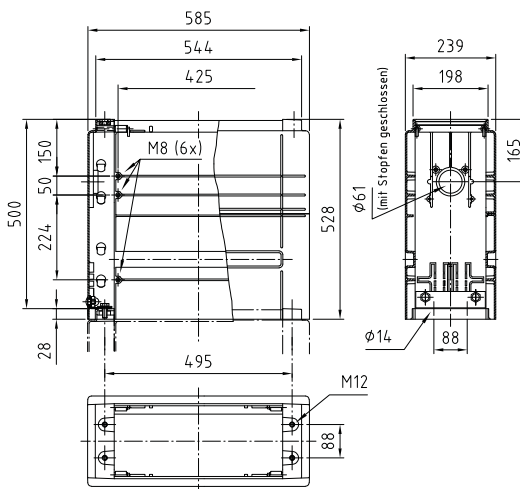
Height 250

SV4 250/250



Height 500

SV4 500/250

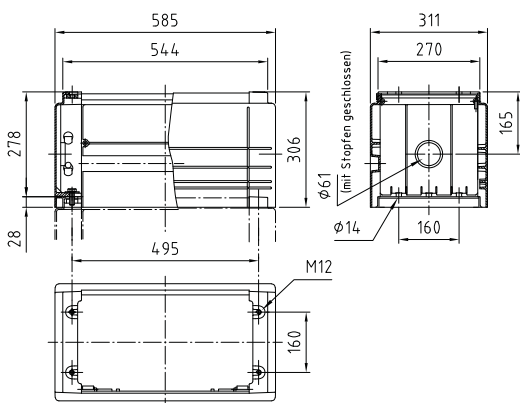


590x320

suitable for cabinet WxD

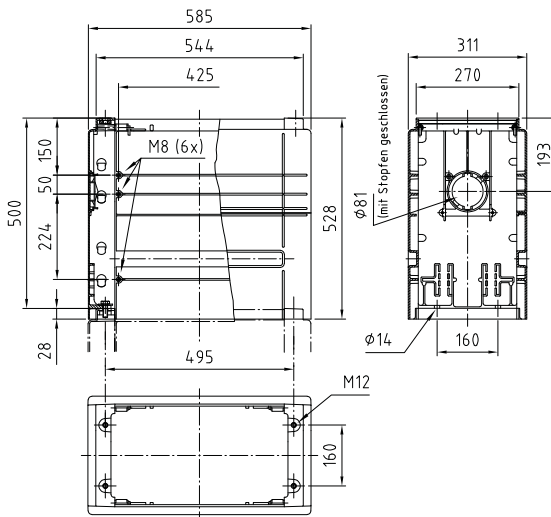
Height 250

SV4 250/320



Height 500

SV4 500/320

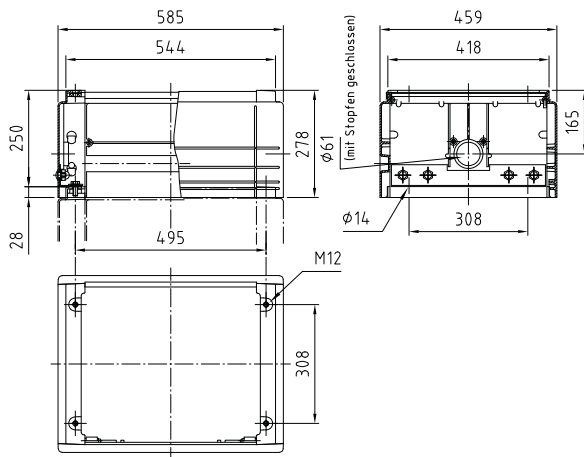


590x470

suitable for cabinet WxD

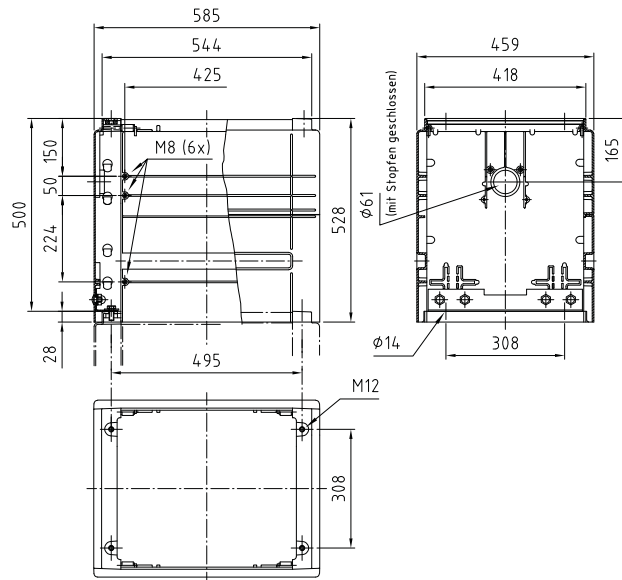
Height 250

SV4 250/470



Height 500

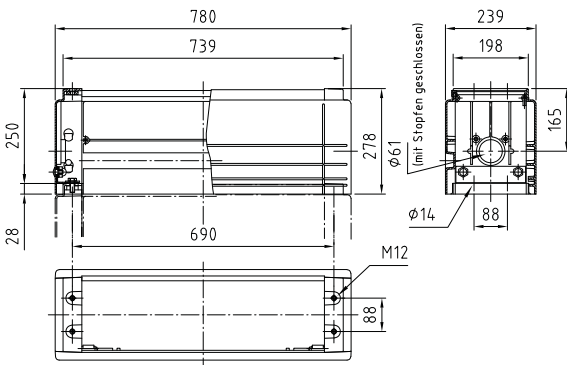
SV4 500/470



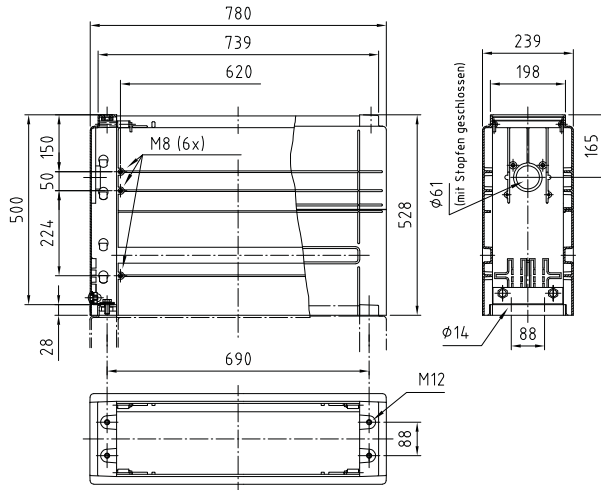
785x250

suitable for cabinet WxD

Height 250
SV5 250/250



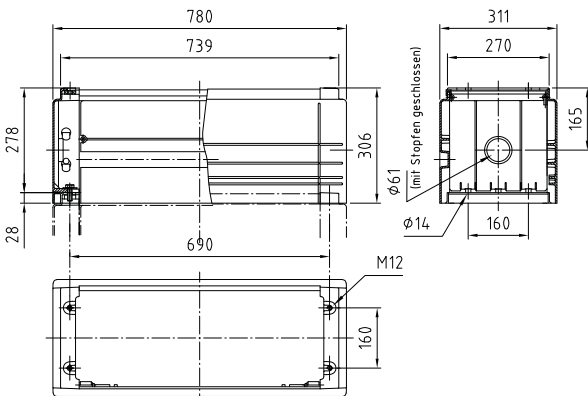
Height 500
SV5 500/250



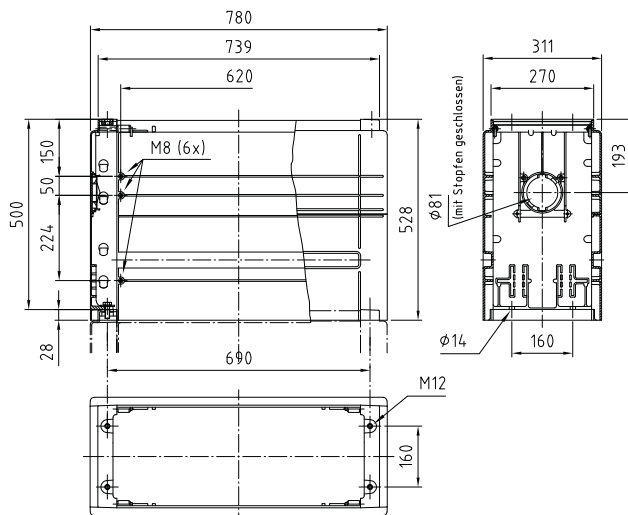
785x320

suitable for cabinet WxD

Height 250
SV5 250/320



Height 500
SV5 500/320

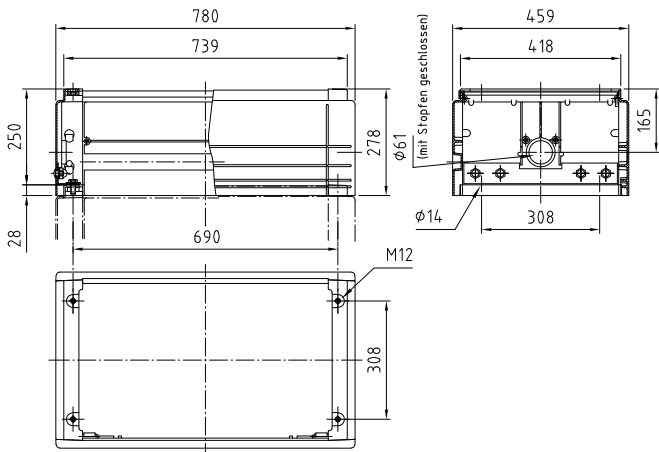


785x470

suitable for cabinet WxD

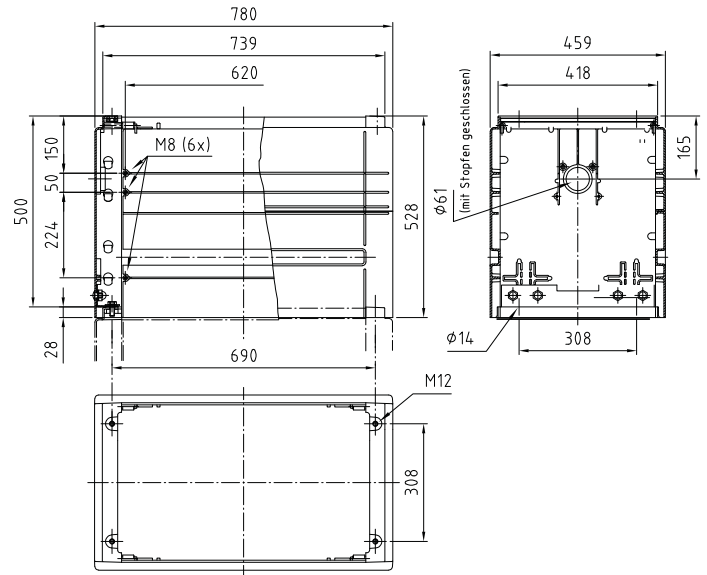
Height 250

SV5 250/470



Height 500

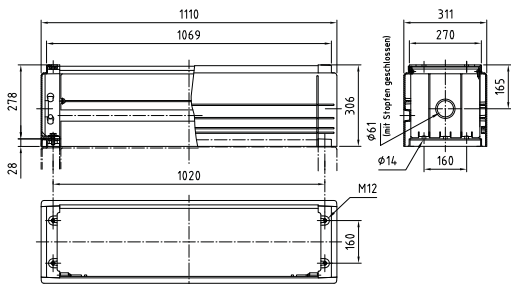
SV5 500/470



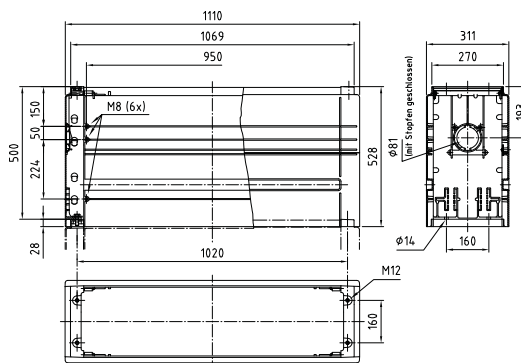
1115x320

suitable for cabinet WxD

Height 250
SV6 250/320



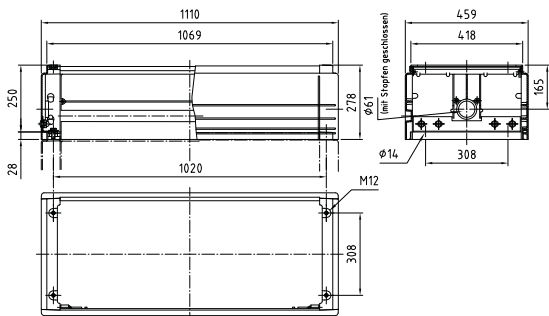
Height 500
SV6 500/320



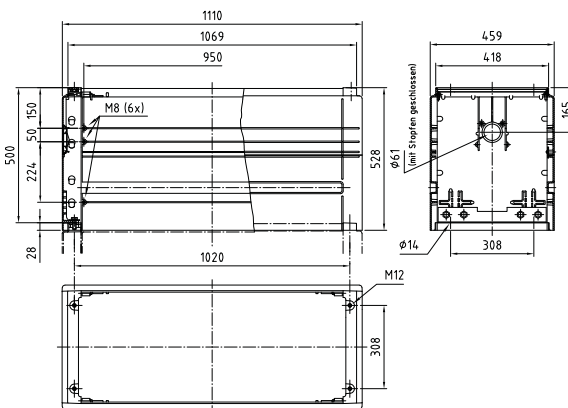
1115x470

suitable for cabinet WxD

Height 250
SV6 250/470



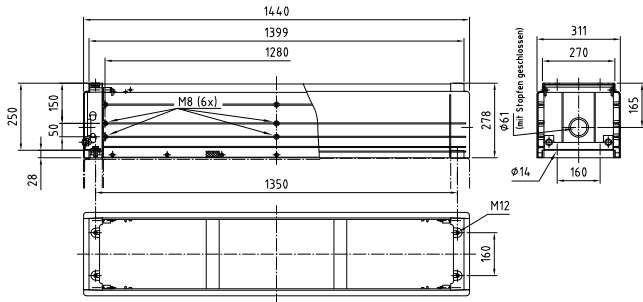
Height 500
SV6 500/470



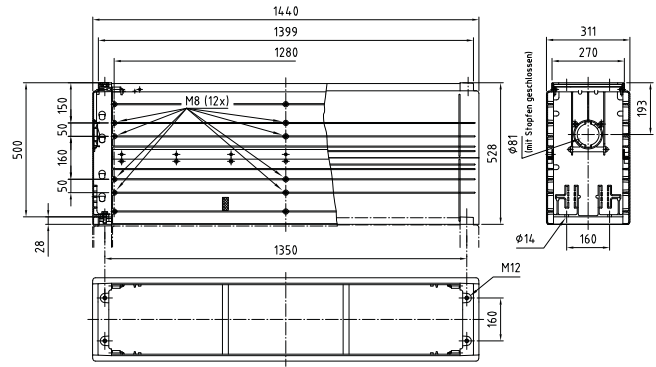
1145x320

suitable for cabinet WxD

Height 250
SV X3 250/320



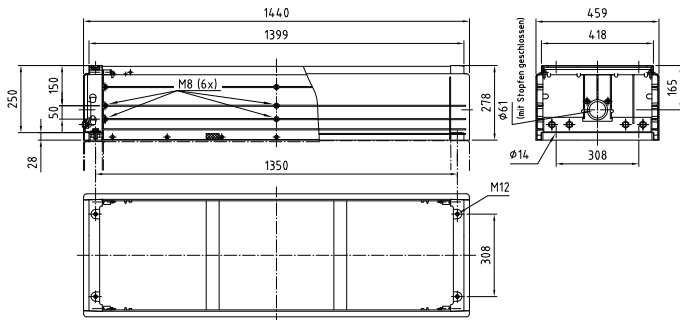
Height 500
SV X3 500/320



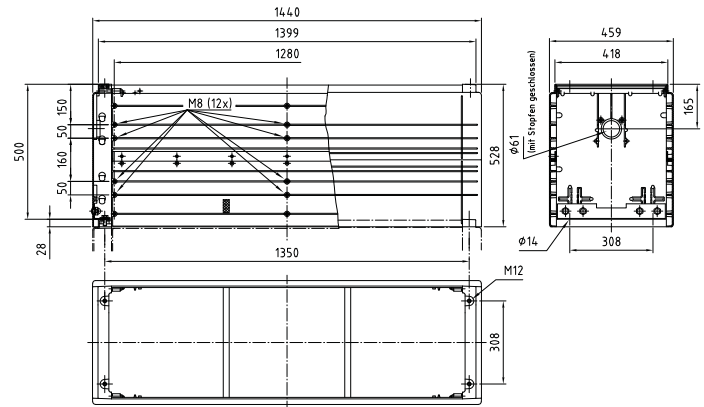
1145x470

suitable for cabinet WxD

Height 250
SV X3 250/470



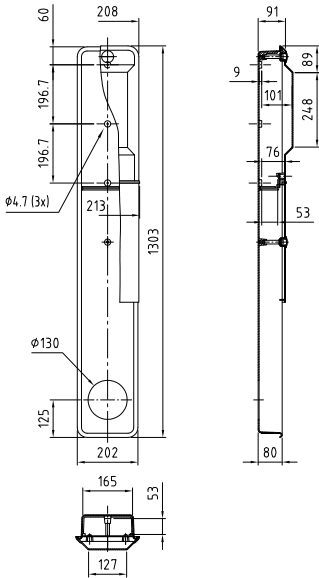
Height 500
SV X3 500/470



208x1303

WxH

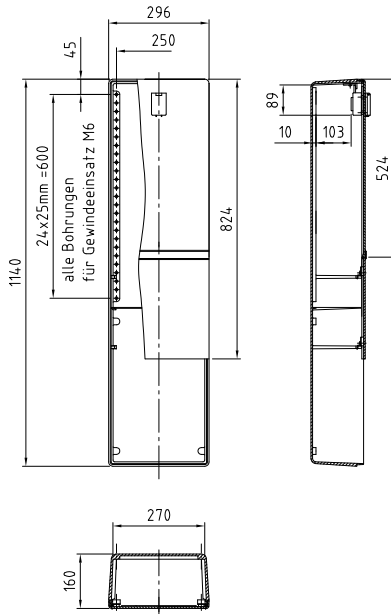
Depth 116
pillar 100, flat



296x1140

WxH

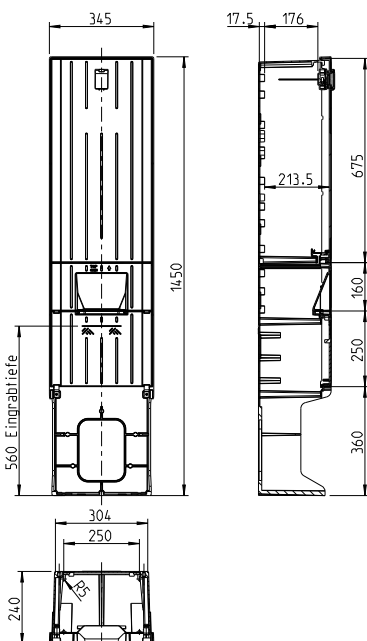
Depth 161
pillar 270, flat



345x1450

WxH

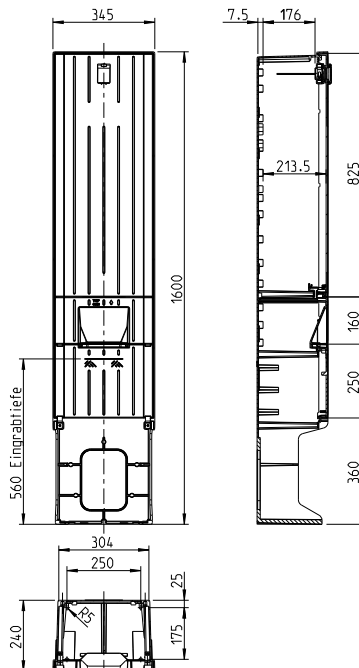
Depth 240
pillar 306, ribbed



345x1600

WxH

Depth 240
pillar 308, ribbed



350x1710

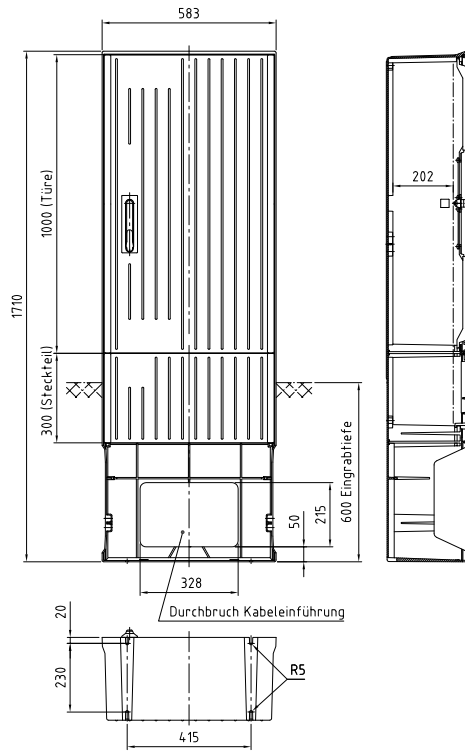
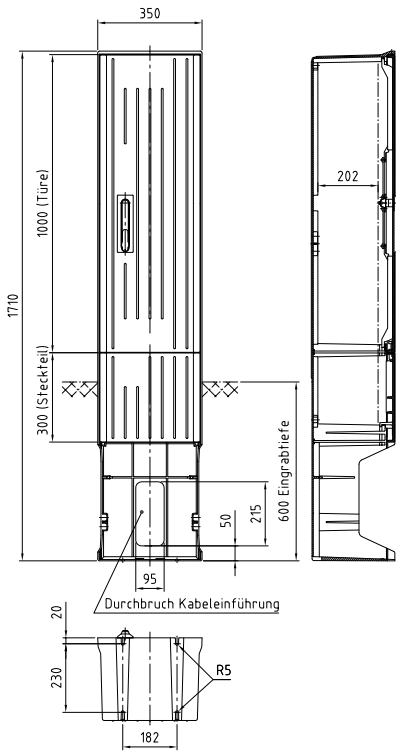
WxH

583x1710

WxH

Depth 278
 pillar 310, ribbed

Depth 278
 pillar 320, ribbed



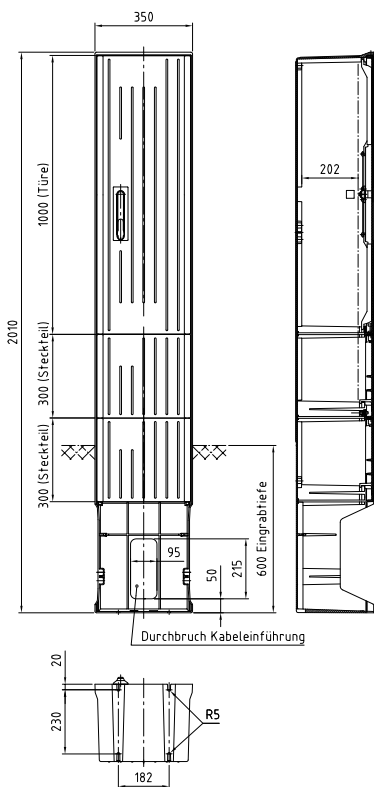
350x2010

WxH

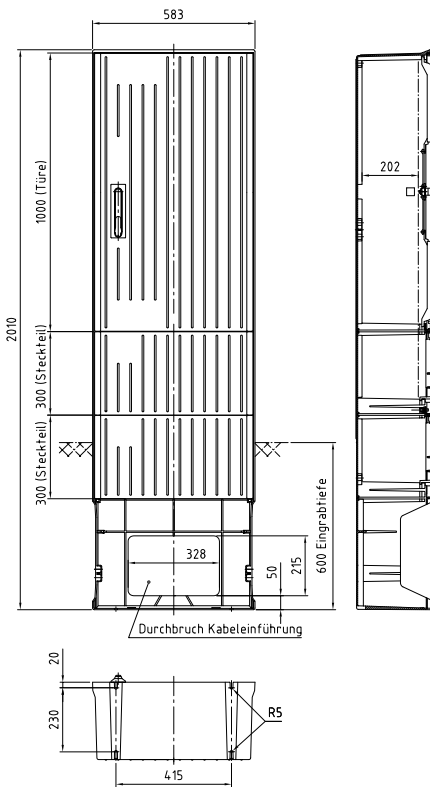
583x2010

WxH

Depth 278
pillar 330, ribbed



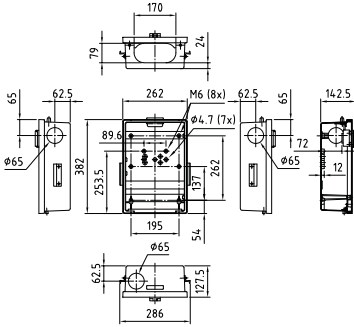
Depth 278
pillar 340, ribbed



265x385

WxH

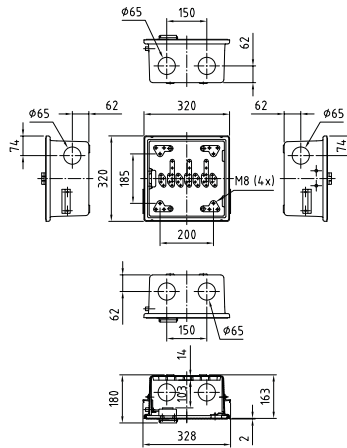
Depth 130, series single-shell, flat
PUP 265/385/130 (KÜK), EHZ



320x320

WxH

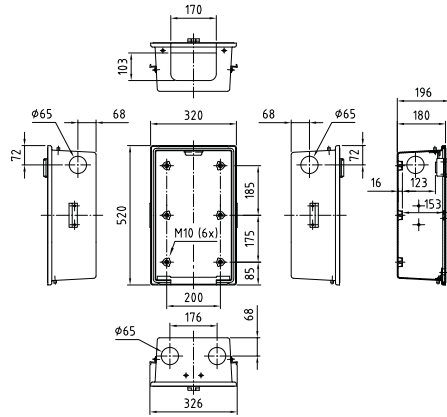
Depth 160, series single-shell, flat
PUP 320/320/160 (E0), EHZ



320x520

WxH

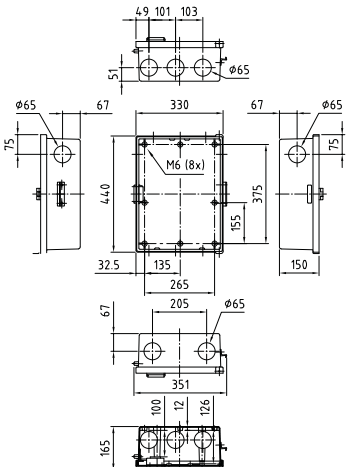
Depth 180, series single-shell, flat
PUP 320/520/180 (E1), EHZ



330x440

WxH

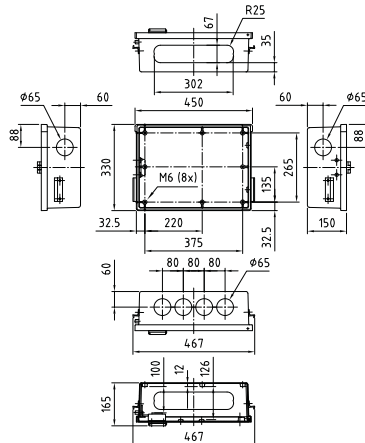
Depth 150, series single-shell, flat
PUP 330/440/150 (VSK), EHZ



440x330

WxH

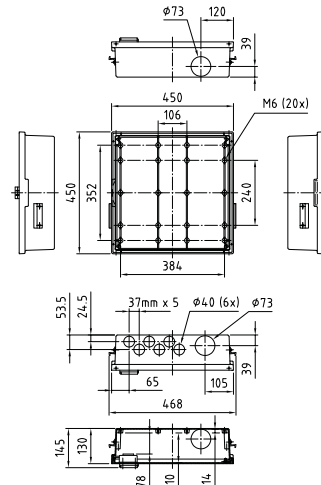
Depth 150, series single-shell, flat
PUP 440/330/150, EHZ



450x450

WxH

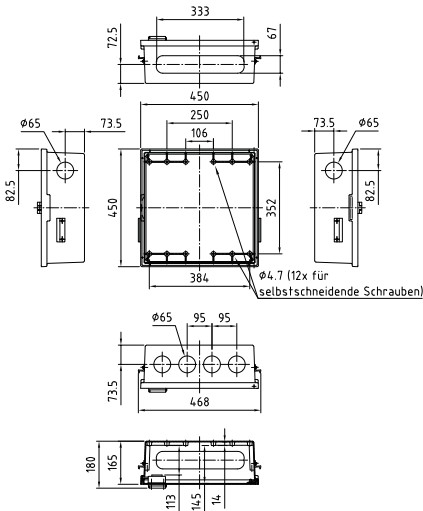
Depth 130, series single-shell, flat
PUP 450/450/130, EHZ



450x450

WxH

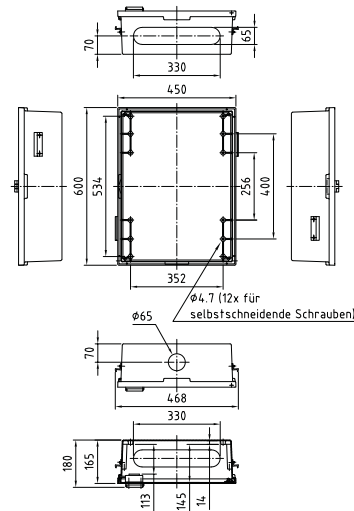
Depth 165, series single-shell, flat
PUP 450/450/165, EHZ



450x600

WxH

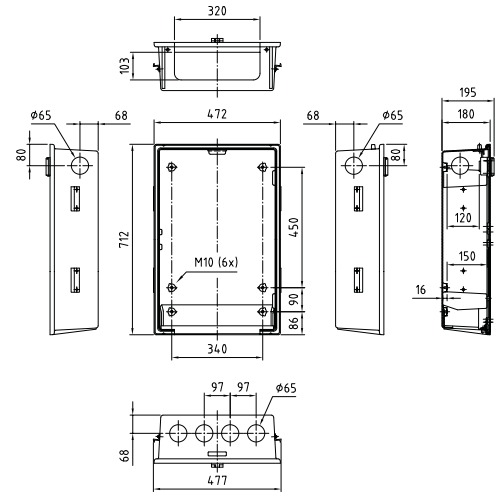
Depth 165, series single-shell, flat
PUP 450/600/165, EHZ



472x712

WxH

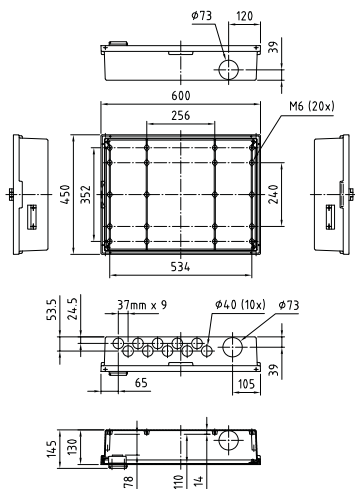
Depth 180, series single-shell, flat
PUP 472/712/180 (E3), EHZ



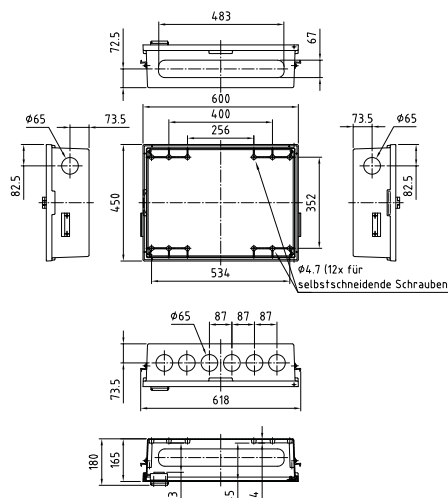
600x450

WxH

Depth 130, series single-shell, flat
PUP 600/450/130, EHZ



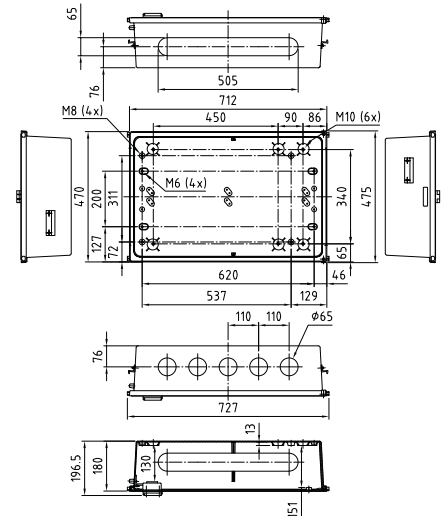
Depth 165, series single-shell, flat
PUP 600/450/165, EHZ



712x472

WxH

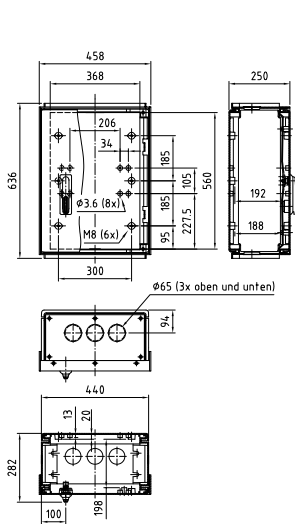
Depth 180, series single-shell, flat
PUP 712/472/180, EHZ



440x620

WxH

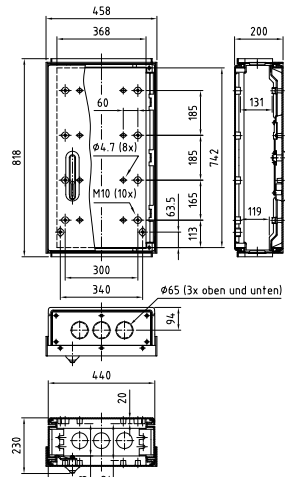
Depth 250, series E, flat
 E3/1 620/250



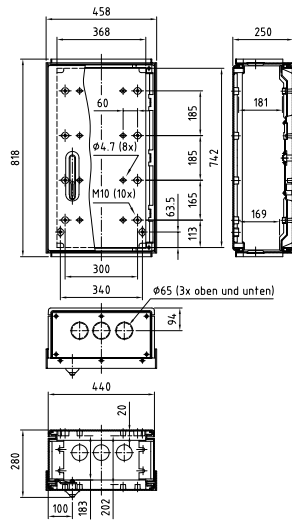
440x820

WxH

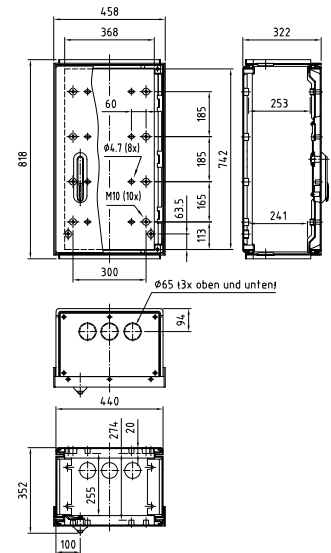
Depth 200, series E, flat
 E3/1 820/200



Depth 250, series E, flat
 E3/1 820/250



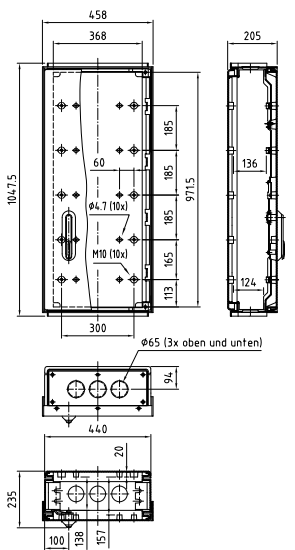
Depth 320, series E, flat
 E3/1 820/200



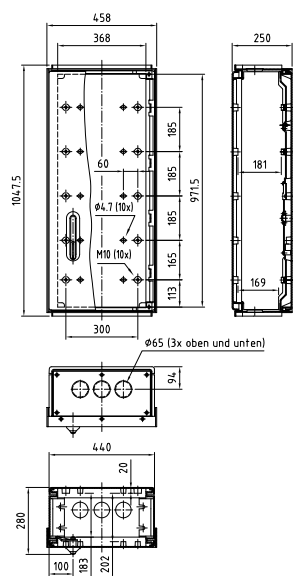
440x1050

WxH

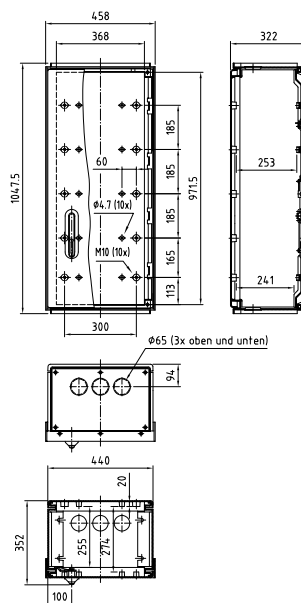
Depth 200, series E, flat
 E3/1 1050/200



Depth 250, series E, flat
 E3/1 1050/250



Depth 320, series E, flat
 E3/1 1050/320

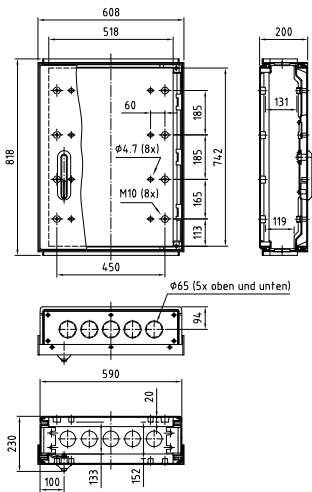


variants: 1/2-1/2 doors 1/3-2/3 doors 2/3-1/3 doors

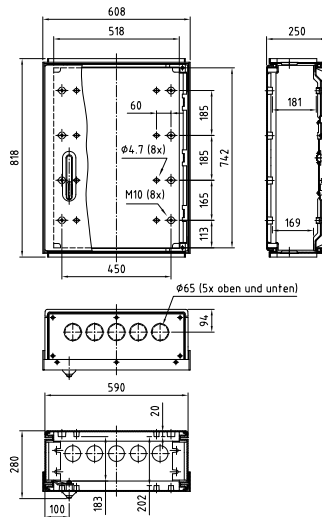
590x820

WxH

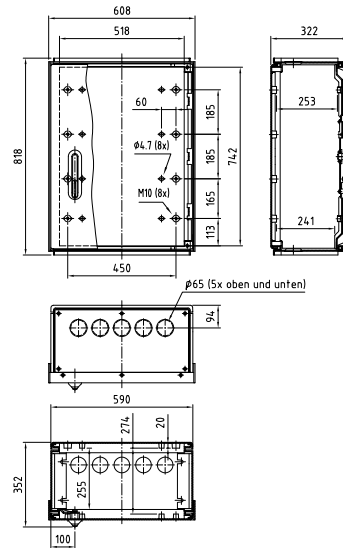
Depth 200, series E, flat
E4 820/200



Depth 250, series E, flat
E4 820/250



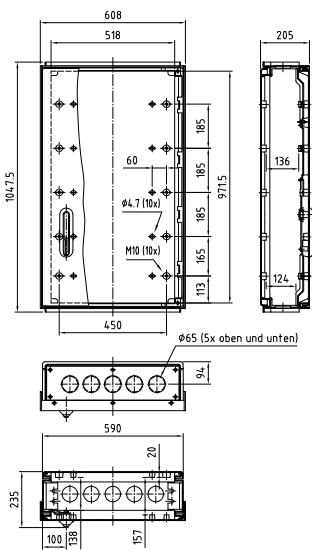
Depth 320, series E, flat
E4 820/320



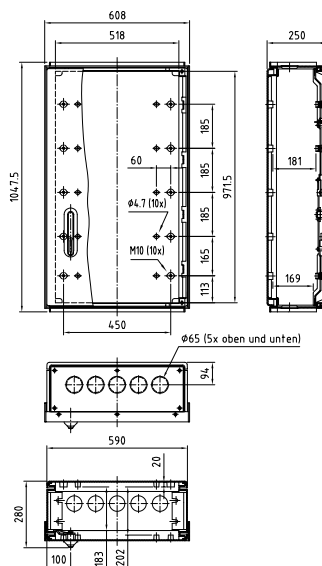
590x1050

WxH

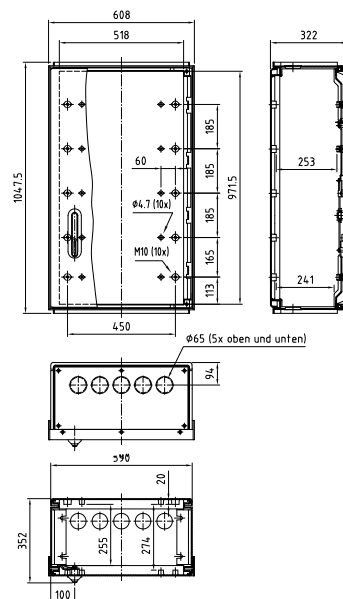
Depth 200, series E, flat
E4 1050/200



Depth 250, series E, flat
E4 1050/250



Depth 320, series E, flat
E4 1050/320

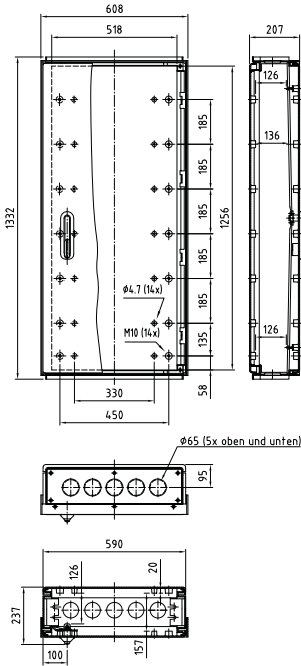


variants: 1/2-1/2 doors 1/3-2/3 doors 2/3-1/3 doors

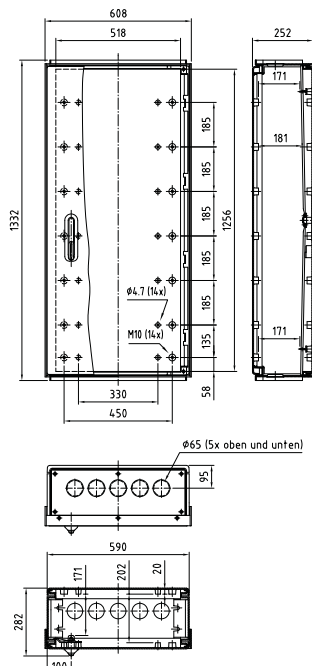
590x1350

WxH

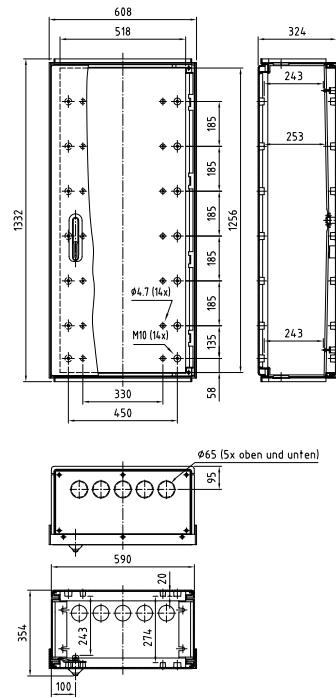
Depth 200, series E, flat
 E4 1350/200



Depth 250, series E, flat
 E4 1350/250



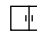
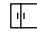

Depth 320, series E, flat
 E4 1350/320



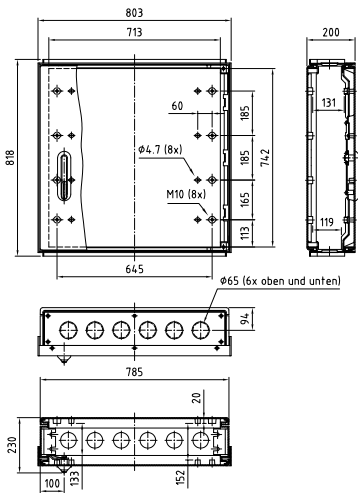
785x820

WxH

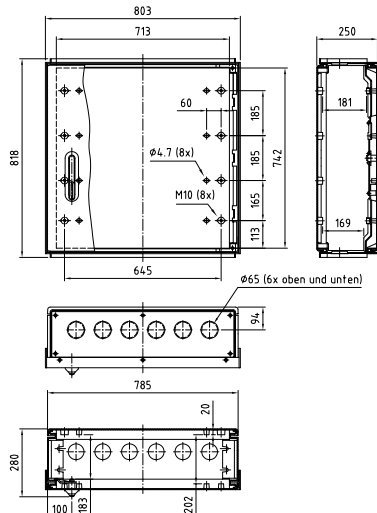
Internal width at door partition left / right

-  338,5 mm / 338,5 mm
-  218 mm / 458 mm
-  458 mm / 218 mm

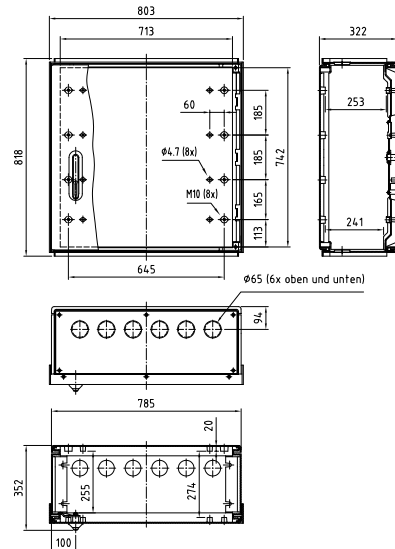
Depth 200, series E, flat
 E5 820/200

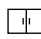

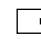


Depth 250, series E, flat
 E5 820/250



Depth 320, series E, flat
 E5 820/320



variants:  1/2-1/2 doors  1/3-2/3 doors  2/3-1/3 doors

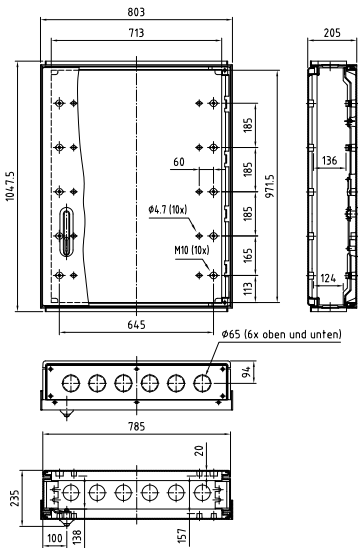
785x1050

WxH

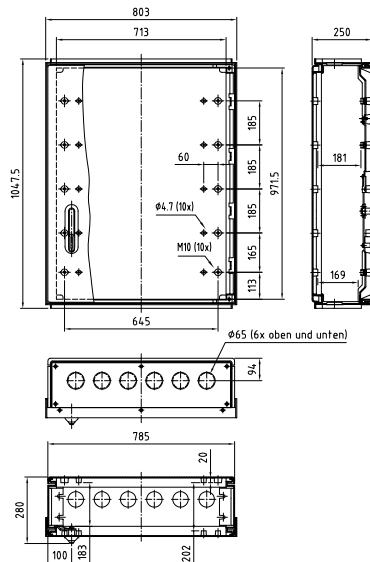
Internal width at door partition left / right

	338,5 mm / 338,5 mm
	218 mm / 458 mm
	458 mm / 218 mm

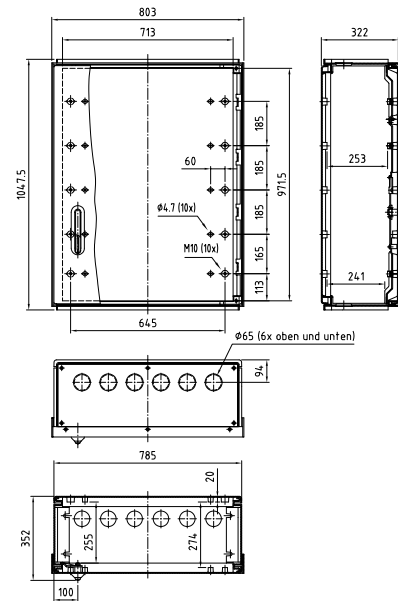
Depth 200, series E, flat
E5 1050/200



Depth 250, series E, flat
E5 1050/250



Depth 320, series E, flat
E5 1050/320



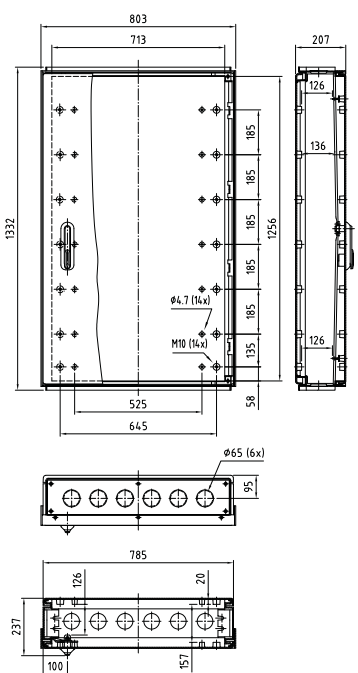
785x1350

WxH

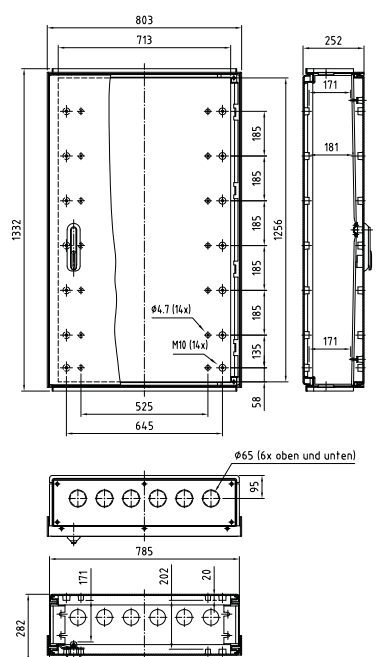
Internal width at door partition left / right

	338,5 mm / 338,5 mm
	218 mm / 458 mm
	458 mm / 218 mm

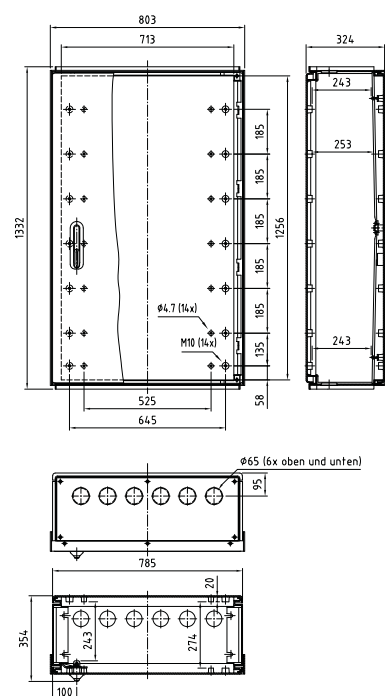
Depth 200, series E, flat
E5 1350/200



Depth 250, series E, flat
E5 1350/250



Depth 320, series E, flat
E5 1350/320



variants: 1/2-1/2 doors 1/3-2/3 doors 2/3-1/3 doors

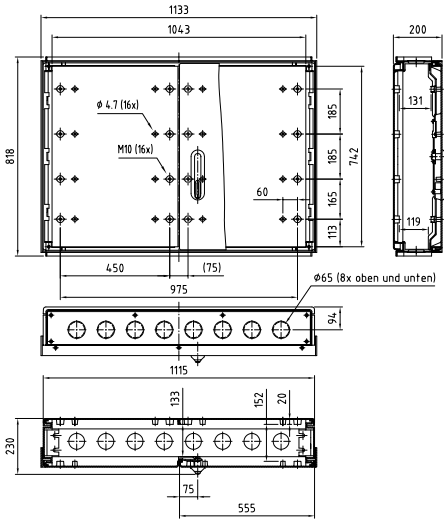
1115x820

WxH

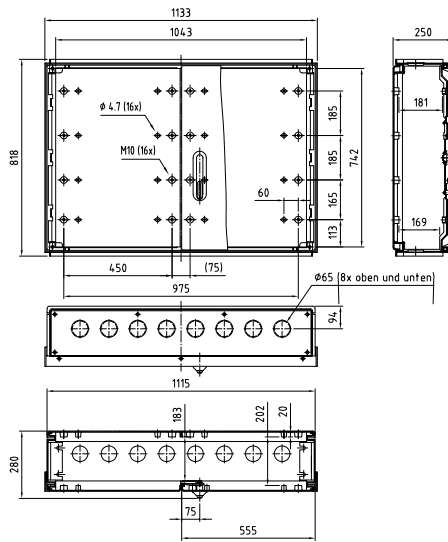
Internal width at door partition left / right

- 503,5 mm / 503,5 mm
- 297 mm / 710 mm
- 710 mm / 297 mm

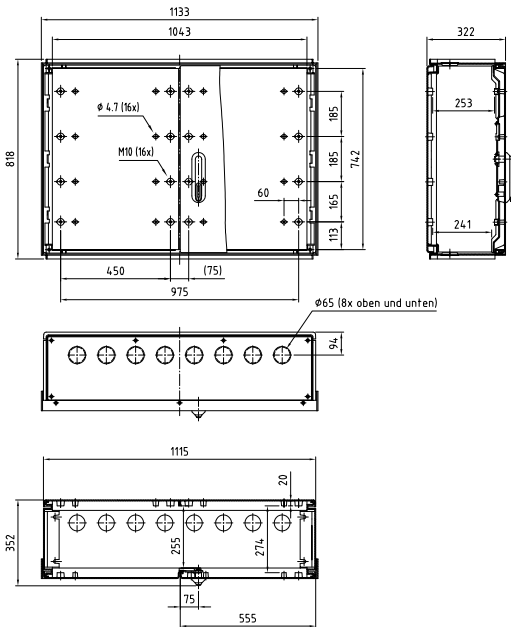
Depth 200, series E, flat
E6 820/200



Depth 250, series E, flat
E6 820/250



Depth 320, series E, flat
E6 820/320



variants: 1/2-1/2 doors 1/3-2/3 doors 2/3-1/3 doors

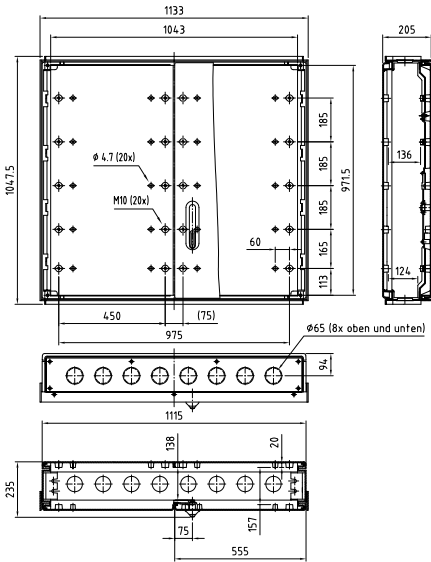
1115x1050

WxH

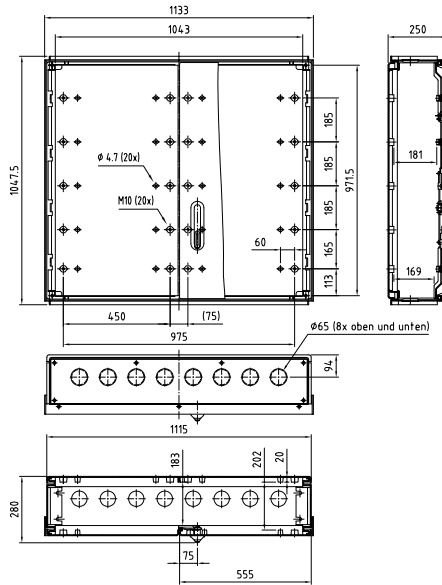
Internal width at door partition left / right

	503,5 mm / 503,5 mm
	297 mm / 710 mm
	710 mm / 297 mm

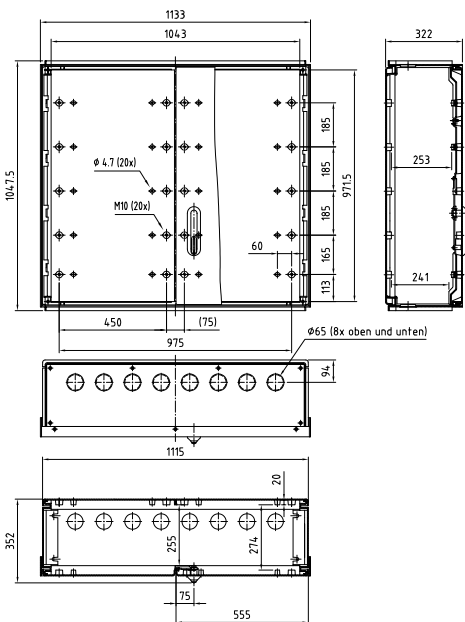
Depth 200, series E, flat
E6 1050/200



Depth 250, series E, flat
E6 1050/250



Depth 320, series E, flat
E6 1050/320



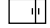


variants: 1/2-1/2 doors 1/3-2/3 doors 2/3-1/3 doors

1115x1350

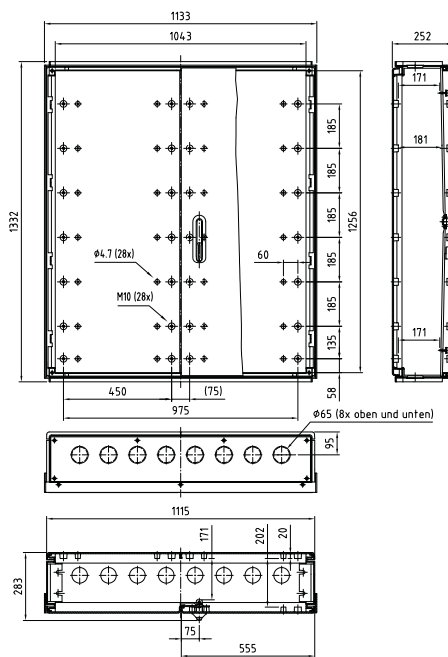
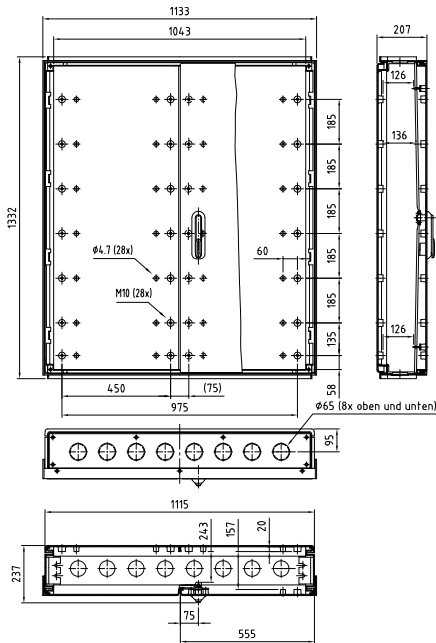
WxH

Internal width at door partition left / right

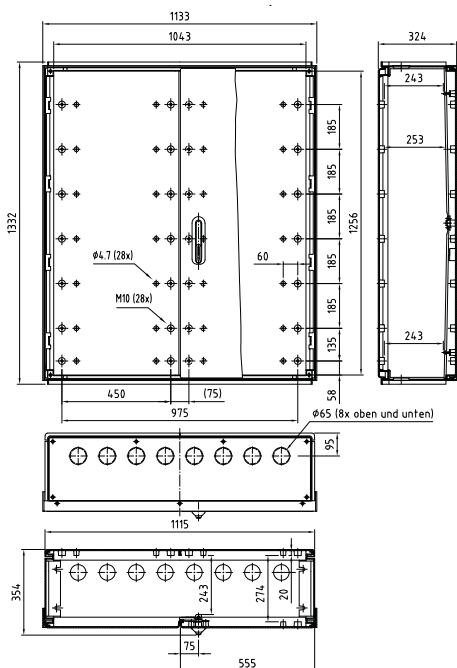
-  503,5 mm / 503,5 mm
-  297 mm / 710 mm
-  710 mm / 297 mm

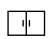
Depth 200, series E, flat
 E6 1350/200

Depth 250, series E, flat
 E6 1350/250



Depth 320, series E, flat
 E6 1350/320

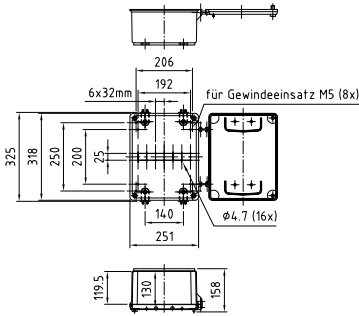


variants:  1/2-1/2 doors  1/3-2/3 doors  2/3-1/3 doors

250x320

WxH

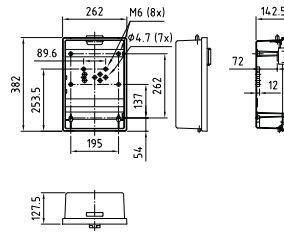
Depth 150, series single-shell, flat
PAP 250/320/150 (KHAS)



265x385

WxH

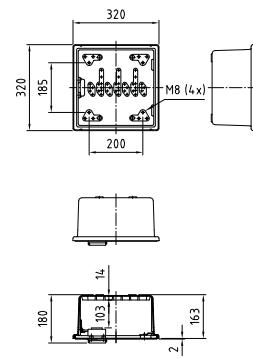
Depth 130, series single-shell, flat
PAP 265/385/130 (KÜK), EHZ



320x320

WxH

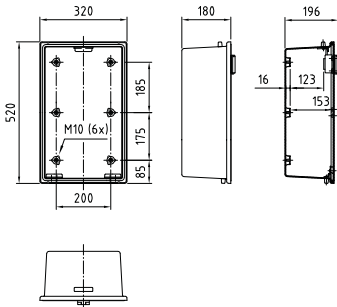
Depth 160, series single-shell, flat
PAP 320/320/160 (AO), EHZ



320x520

WxH

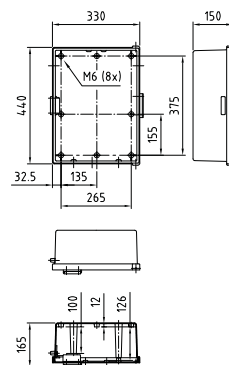
Depth 180, series single-shell, flat
PAP 320/520/180 (A1), EHZ



330x440

WxH

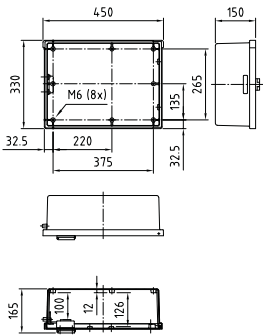
Depth 150, series single-shell, flat
PAP 330/440/150 (VSK), EHZ



440x330

WxH

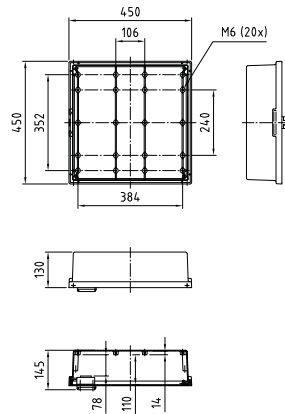
Depth 150, series single-shell, flat
PAP 440/330/150, EHZ



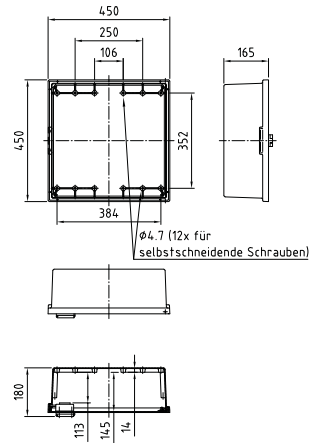
450x450

WxH

Depth 130, series single-shell, flat
PAP 450/450/130, EHZ



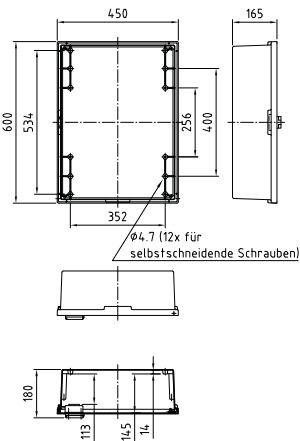
Depth 165, series single-shell, flat
PAP 450/450/165, EHZ



450x600

WxH

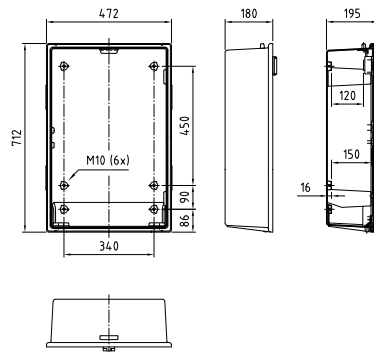
Depth 165, series single-shell, flat
PAP 450/600/165, EHZ



472x712

WxH

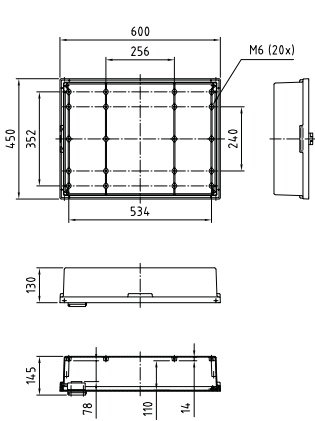
Depth 180, series single-shell, flat
PAP 472/712/180 (A3), EHZ



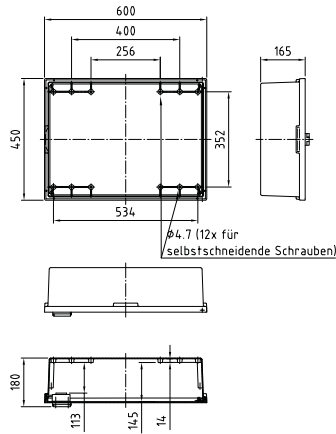
600x450

WxH

Depth 130, series single-shell, flat
PAP 600/450/130, EHZ



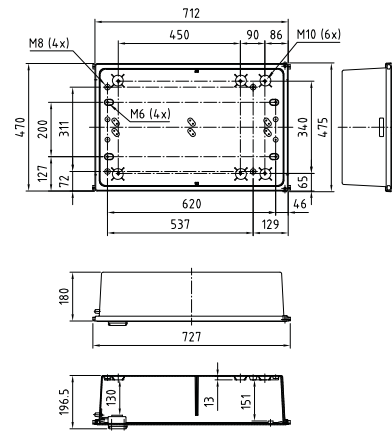
Depth 165, series single-shell, flat
PAP 600/450/165, EHZ



712x472

WxH

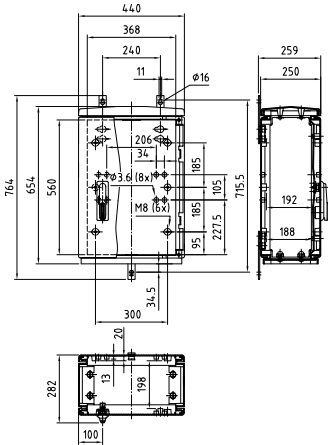
Depth 180, series single-shell, flat
PAP 712/472/180, EHZ



440x650

WxH

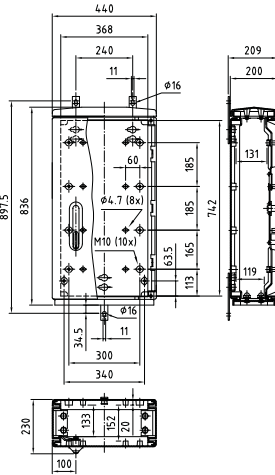
Depth 250, series A, flat
A3/1 650/250



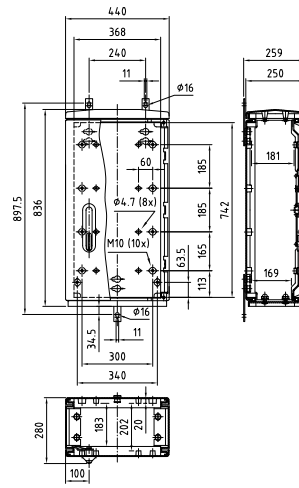
440x850

WxH

Depth 200, series A, flat
A3/1 850/200



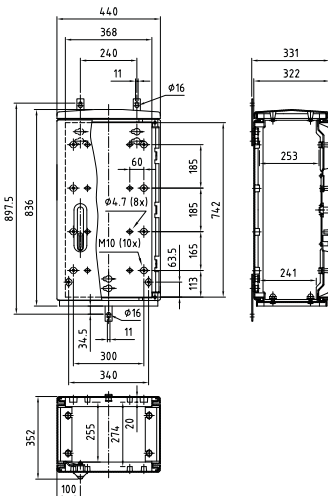
Depth 250, series A, flat
A3/1 850/250



440x850

WxH

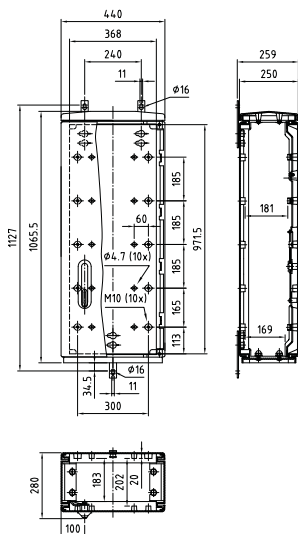
Depth 320, series A, flat
A3/1 850/320



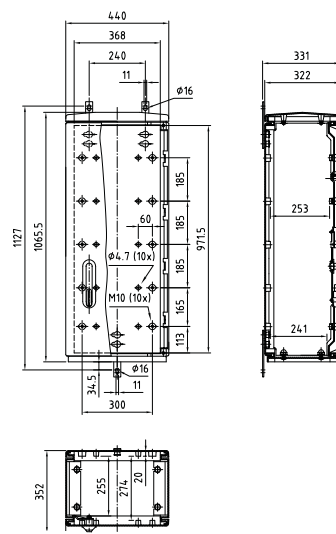
440x1080

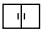
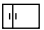
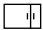
WxH

Depth 250, series A, flat
A3/1 1080/250



Depth 320, series A, flat
A3/1 1080/320

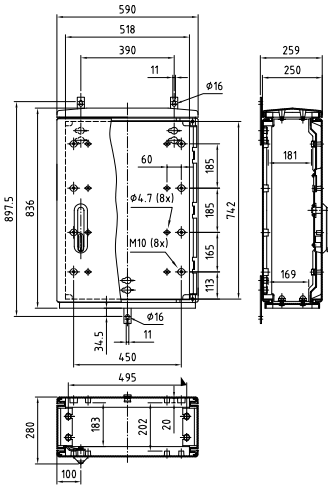


variants:  1/2-1/2 doors  1/3-2/3 doors  2/3-1/3 doors

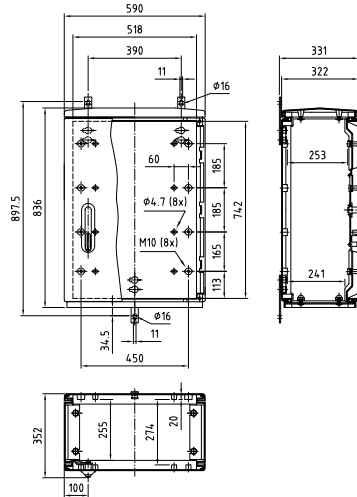
590x850

WxH

Depth 250, series A, flat
A4 850/250



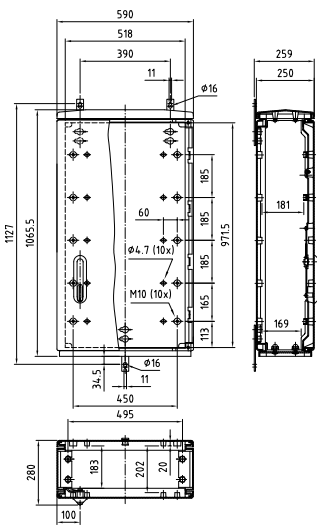
Depth 320, series A, flat
A4 850/320



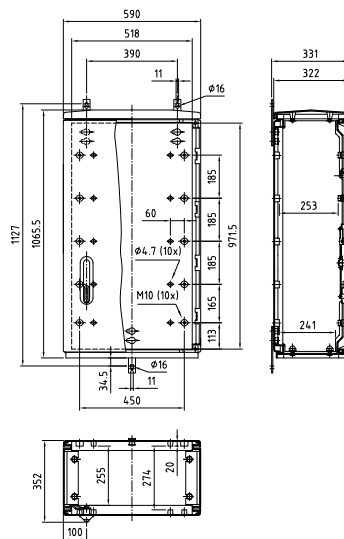
590x1080

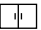

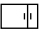
WxH

Depth 250, series A, flat
A4 1080/250



Depth 320, series A, flat
A4 1080/320

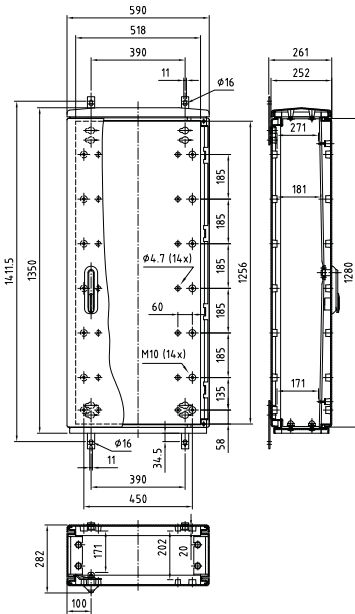


variants:  1/2-1/2 doors  1/3-2/3 doors  2/3-1/3 doors

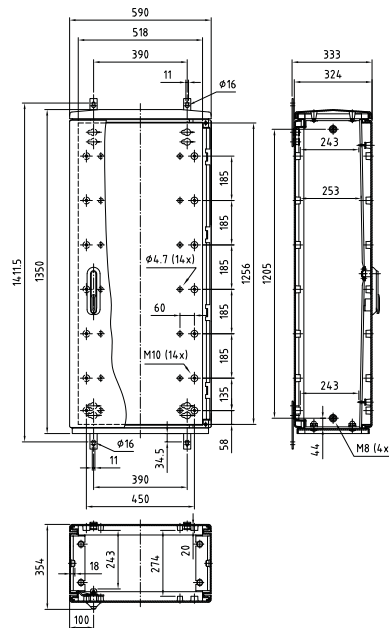
590x1350

WxH

Depth 250, series A, flat
A4 1350/250



Depth 320, series A, flat
A4 1350/320



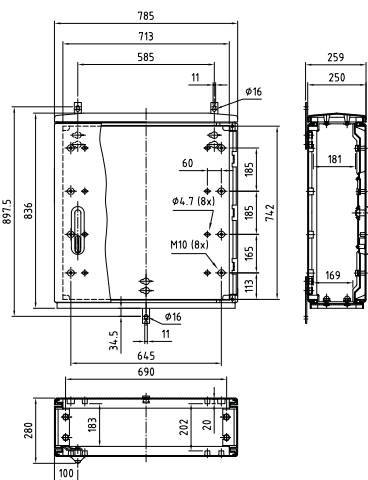
785x850

WxH

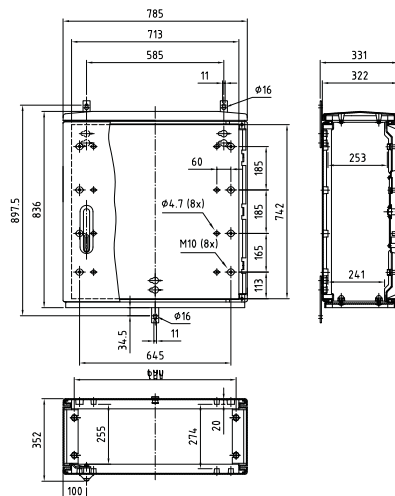
Internal width at door partition left / right

- 338,5 mm / 338,5 mm
- 218 mm / 458 mm
- 458 mm / 218 mm

Depth 250, series A, flat
A5 850/250



Depth 320, series A, flat
A5 850/320



variants: 1/2-1/2 doors 1/3-2/3 doors 2/3-1/3 doors

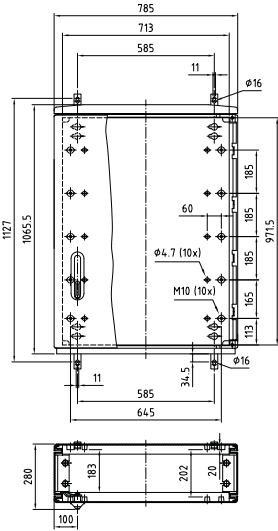
785x1080

WxH

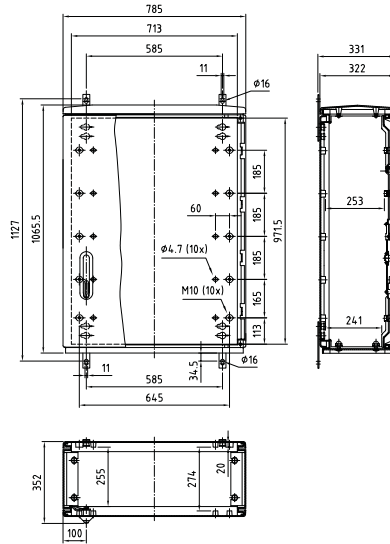
Internal width at door partition left / right

- 338,5 mm / 338,5 mm
- 218 mm / 458 mm
- 458 mm / 218 mm

Depth 250, series A, flat
A5 1080/250



Depth 320, series A, flat
A5 1080/320



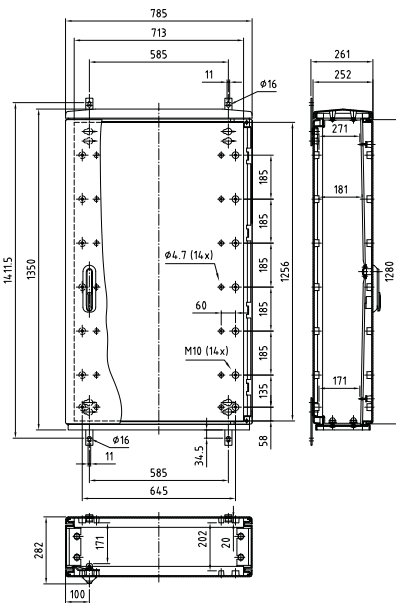
785x1350

WxH

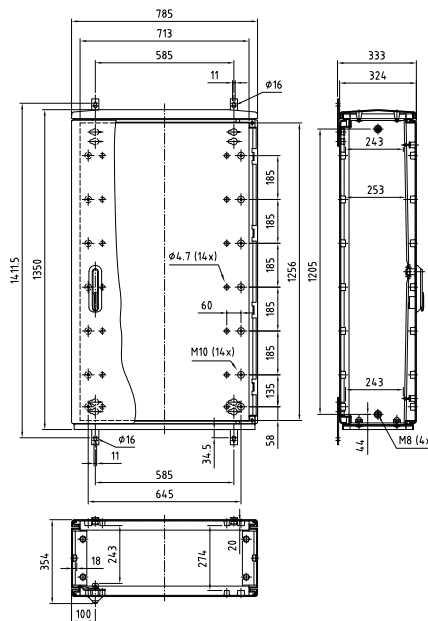
Internal width at door partition left / right

- 338,5 mm / 338,5 mm
- 218 mm / 458 mm
- 458 mm / 218 mm

Depth 250, series A, flat
A5 1350/250



Depth 320, series A, flat
A5 1350/320






variants: 1/2-1/2 doors 1/3-2/3 doors 2/3-1/3 doors

1115x850

WxH




Internal width at door partition left / right

-  503,5 mm / 503,5 mm
-  297 mm / 710 mm
-  710 mm / 297 mm

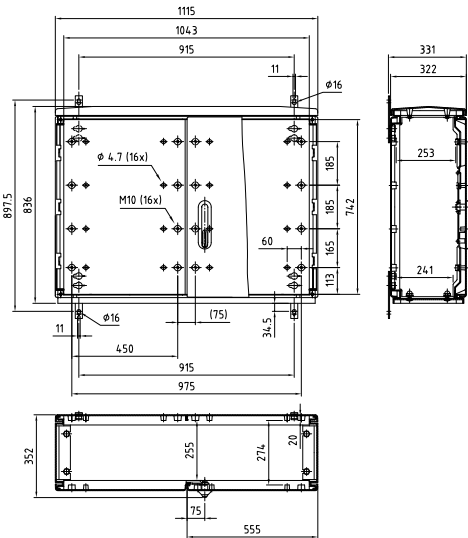
1115x1080

WxH

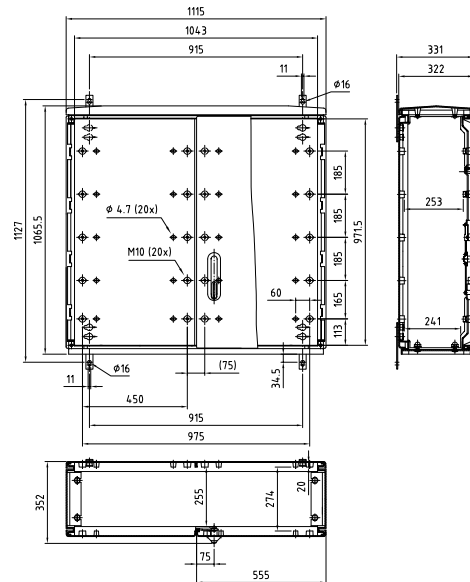
Internal width at door partition left / right

-  503,5 mm / 503,5 mm
-  297 mm / 710 mm
-  710 mm / 297 mm

Depth 320, series A, flat
 A6 850/320



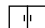
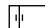

Depth 320, series A, flat
 A6 1080/320



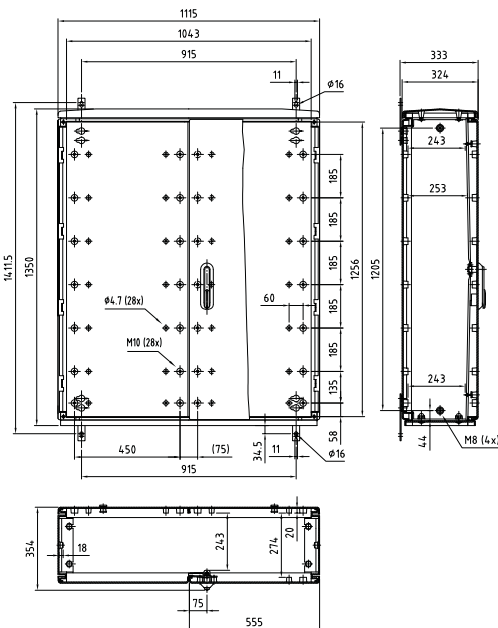
1115x1350

WxH

Internal width at door partition left / right

-  503,5 mm / 503,5 mm
-  297 mm / 710 mm
-  710 mm / 297 mm

Depth 320, series A, flat
 A6 1350/320



variants:  1/2-1/2 doors  1/3-2/3 doors  2/3-1/3 doors

Single cabinets

Nominal size			RAL-color		Front	Net weight	PU/ Pallet	Pallet	Type	Order no.		
Width	Height	Depth	Series	7035	7032	flat	kg	pcs.		WxD	IP 44	IP 54
440	650	250	F	●	●		12,0	8	Euro pallet	F3/1 650/250	1443.1	1443.54
440	850	200	F	●	●		15,0	8	Euro pallet	F3/1 850/200	0596.1	0596.54
440	850	250	F	●	●		16,0	8	Euro pallet	F3/1 850/250	1451.1	1451.1.54
440	850	320	F	●	●		17,0	8	Euro pallet	F3/1 850/320	0579.1	0579.1.54
440	1080	250	F	●	●		19,0	6	Euro pallet	F3/1 1080/250	1452	1452.54
440	1080	320	F	●	●		19,0	5	Euro pallet	F3/1 1080/320	0580.1	0580.54
460	850	320	X	●		●	15,0	8	Euro pallet	X00 850/320 (A100-00*)	1733	1733.54
590	850	250	F	●	●		18,0	8	Euro pallet	F4 850/250	1453	1453.54
590	850	320	F	●	●		19,0	8	Euro pallet	F4 850/320	0284.1	0284.54
590	850	320	X	●		●	19,0	8	Euro pallet	X0 850/320 (A100-0*)	1265	1276
590	850	412	F	●	●		27,0	4	Euro pallet	F4 850/412	o	o
590	850	470	F	●	●		24,0	3	Euro pallet	F4 850/470	1189	1189.54
590	850	635	F	●	●		29,0	1	Euro pallet	F4 850/635	0164	0164.54
590	1080	250	F	●	●		22,0	5	Euro pallet	F4 1080/250	1454	1454.54
590	1080	250	F	●		●	22,0	5	Euro pallet	F4 1080/250	3209	3209.54
590	1080	320	F	●	●		23,0	5	Euro pallet	F4 1080/320 (A750-0*)	0318.1	0318.54
590	1080	320	F	●		●	23,0	5	Euro pallet	F4 1080/320 (A850-0*)	2767	2767.54
590	1080	412	F	●		●	32,0	4	Euro pallet	F4 1080/412	3866	3866.54
590	1080	412	F	●	●		32,0	4	Euro pallet	F4 1080/412	o	o
590	1080	470	F	●	●		29,0	3	Euro pallet	F4 1080/470 (A780-0*)	1188	1188.54
590	1080	470	F	●		●	29,0	3	Euro pallet	F4 1080/470 (A880-0*)	3210	3210.54
590	1080	635	F	●	●		34,0	1	Euro pallet	F4 1080/635 (A790-0*)	0180	0180.54
590	1080	635	F	●		●	34,0	1	Euro pallet	F4 1080/635 (A890-0*)	3211	3211.54
590	1350	250	F	●	●		29,0	4	Euro pallet	F4 1350/250	3395	3395.54
590	1350	250	F	●		●	29,0	4	Euro pallet	F4 1350/250	o	o
590	1350	320	F	●	●		31,0	4	Euro pallet	F4 1350/320	3397	3397.54
590	1350	320	F	●		●	31,0	4	Euro pallet	F4 1350/320 (A655-0*)	3397.1	3397.1.54
590	1350	412	F	●	●		35,0	2	Euro pallet	F4 1350/412	3775	3775.54
590	1350	412	F	●		●	35,0	2	Euro pallet	F4 1350/412	o	o
590	1350	470	F	●	●		37,0	2	Euro pallet	F4 1350/470	3838	3838.54
590	1350	470	F	●		●	37,0	2	Euro pallet	F4 1350/470 (A685-0*)	3838.1	3838.1.54
785	850	250	F	●	●		22,0	5	Euro pallet	F5 850/250	1455	1455.54
785	850	320	F	●	●		23,0	5	Euro pallet	F5 850/320	0285.1	0285.54
785	850	320	X	●		●	21,0	5	Euro pallet	X1 850/320 (A100-1*)	1267	1278
785	850	412	F	●	●		31,0	3	Euro pallet	F5 850/412	o	o
785	850	470	F	●	●		27,0	2	Euro pallet	F5 850/470	1186	1186.54
785	850	635	F	●	●		33,0	1	Euro pallet	F5 850/635	0174	0174.54

* alternative type description ELSTA Mosdorfer Germany

Nominal size			RAL-color		Front	Net weight	PU/ Pallet	Pallet		Order no.			
Width	Height	Depth	Series	7035				7032	flat	ribs	kg	pcs.	WxD
785	1080	250	F	●	●			27,0	5	Euro pallet	F5 1080/250	1456	1456.54
785	1080	250	F	●		●		27,0	5	Euro pallet	F5 1080/250	3213	3213.54
785	1080	320	F	●	●			27,0	4	Euro pallet	F5 1080/320 (A750-1*)	0319.1	0319.54
785	1080	320	F	●		●		27,0	4	Euro pallet	F5 1080/320 (A850-1*)	2768	2768.54
785	1080	412	F	●		●		37,0	3	Euro pallet	F5 1080/412	3867	3867.54
785	1080	412	F	●	●			37,0	3	Euro pallet	F5 1080/412	○	○
785	1080	470	F	●	●			34,0	2	Euro pallet	F5 1080/470 (A780-1*)	1187	1187.54
785	1080	470	F	●		●		34,0	2	Euro pallet	F5 1080/470 (A880-1*)	3214	3214.54
785	1080	635	F	●	●			39,0	1	Euro pallet	F5 1080/635 (A790-1*)	0182.1	0182.54
785	1080	635	F	●		●		39,0	1	Euro pallet	F5 1080/635 (A890-1*)	3215	3215.54
785	1350	250	F	●	●			36,0	3	Euro pallet	F5 1350/250	3396	3396.54
785	1350	250	F	●		●		36,0	3	Euro pallet	F5 1350/250	○	○
785	1350	320	F	●	●			38,0	3	Euro pallet	F5 1350/320	3398	3398.54
785	1350	320	F	●		●		38,0	3	Euro pallet	F5 1350/320 (A655-1*)	3398.1	3398.1.54
785	1350	412	F	●	●			43,0	2	Euro pallet	F5 1350/412	○	○
785	1350	412	F	●		●		43,0	2	Euro pallet	F5 1350/412	3774	3774.54
785	1350	470	F	●	●			44,0	2	Euro pallet	F5 1350/470	3839	3839.54
785	1350	470	F	●		●		44,0	2	Euro pallet	F5 1350/470 (A685-1*)	3839.1	3839.1.54
1115	850	320	F	●	●			30,0	2	Euro pallet	F6 850/320	0537.1	0537.54
1115	850	320	X	●		●		30,0	2	Euro pallet	X2 850/320 (A100-2*)	1730	1730.54
1115	850	412	F	●	●			40,0	1	Euro pallet	F6 850/412	○	○
1115	850	470	F	●	●			36,0	1	Euro pallet	F6 850/470	1191	1191.54
1115	850	635	F	●	●			43,0	1	Euro pallet	F6 850/635	0952.1	0952.54
1115	1080	320	F	●	●			36,0	2	Euro pallet	F6 1080/320 (A750-2*)	0552.1	0552.54
1115	1080	320	F	●		●		36,0	2	Euro pallet	F6 1080/320 (A850-2*)	2769	2769.54
1115	1080	412	F	●	●			47,0	1	Euro pallet	F6 1080/412	○	○
1115	1080	412	F	●		●		47,0	1	Euro pallet	F6 1080/412	3864	3864.54
1115	1080	470	F	●	●			43,0	1	Euro pallet	F6 1080/470 (A780-2*)	1190	1190.54
1115	1080	470	F	●		●		43,0	1	Euro pallet	F6 1080/470 (A880-2*)	3218	3218.54
1115	1080	635	F	●	●			50,0	1	Euro pallet	F6 1080/635 (A790-2*)	0953.1	0953.54
1115	1080	635	F	●		●		50,0	1	Euro pallet	F6 1080/635 (A890-2*)	3219	3219.54
1115	1350	320	F	●	●			50,0	2	Euro pallet	F6 1350/320	3399	3399.54
1115	1350	320	F	●		●		50,0	2	Euro pallet	F6 1350/320 (A655-2*)	3399.1	3399.1.54
1115	1350	412	F	●	●			56,0	1	Euro pallet	F6 1350/412	○	○
1115	1350	412	F	●		●		56,0	1	Euro pallet	F6 1350/412	3773	3773.54
1115	1350	470	F	●	●			57,0	1	Euro pallet	F6 1350/470	3840	3840.54
1115	1350	470	F	●		●		57,0	1	Euro pallet	F6 1350/470 (A685-2*)	3840.1	3840.1.54
1445	1080	320	F	●		●		48,0	2	1500x800	X3 1080/320 (A850-3*)	2890	2890.54
1445	1080	412	F	●		●		58,0	1	1500x800	X3 1080/412	3865	3865.54
1445	1080	470	F	●		●		58,0	1	1500x800	X3 1080/470 (A880-3*)	3221	3221.54
1445	1080	635	F	●		●		63,0	1	1500x800	X3 1080/635 (A890-3*)	3101	3101.54
1445	1350	320	F	●		●		63,0	2	1500x800	X3 1350/320 (A655-3*)	3837.1	3837.1.54
1445	1350	412	F	●		●		68,0	1	1500x800	X3 1350/412	3776	3776.54
1445	1350	470	F	●		●		74,0	1	1500x800	X3 1350/470 (A658-3*)	3841	3841.54

* alternative type description ELSTA Mosdorfer Germany

Cabinet combinations

DB

Nominal size			Series	RAL-color		Front flat ribs	Net weight kg	PU/Pallet pcs.	Pallet WxD	Type	Order no. IP 44
Width	Height	Depth		7035	7032						
880/440-440	850	320	F	●	●		30,0	2	Euro pallet	DB F3/1-F3/1 850/320	0787
880/440-440	1080	320	F	●	●		34,0	2	Euro pallet	DB F3/1-F3/1 1080/320	0788
1030/440-590	850	320	F	●	●		31,0	2	Euro pallet	DB F3/1-F4 850/320	0767
1030/440-590	1080	320	F	●	●		36,0	2	Euro pallet	DB F3/1-F4 1080/320	0594
1030/590-440	850	320	F	●	●		31,0	2	Euro pallet	DB F4-F3/1 850/320	2441
1030/590-440	1080	320	F	●	●		36,0	2	Euro pallet	DB F4-F3/1 1080/320	2442
1180/590-590	850	320	F	●	●		35,0	2	Euro pallet	DB F4-F4 850/320	0211.1
1180/590-590	1080	320	F	●	●		41,0	2	Euro pallet	DB F4-F4 1080/320 (A760-0/0*)	0206.1
1180/590-590	1350	320	F	●	●		54,0	2	Euro pallet	DB F4-F4 1350/320	3598
1225/440-785	850	320	F	●	●		36,0	2	1500x800	DB F3/1-F5 850/320	0768
1225/440-785	1080	320	F	●	●		42,0	2	1500x800	DB F3/1-F5 1080/320	0769
1225/785-440	850	320	F	●	●		36,0	2	1500x800	DB F5-F3/1 850/320	2488
1225/785-440	1080	320	F	●	●		42,0	2	1500x800	DB F5-F3/1 1080/320	2491
1375/590-785	850	320	F	●	●		39,0	2	1500x800	DB F4-F5 850/320	0214.1
1375/590-785	1080	320	F	●	●		46,0	2	1500x800	DB F4-F5 1080/320 (A760-0/1*)	0215.1
1375/590-785	1080	470	F	●	●		55,0	1	1500x800	DB F4-F5 1080/470	3862
1375/590-785	1350	320	F	●	●		61,0	2	1500x800	DB F4-F5 1350/320	3599
1375/590-785	1350	470	F	●	●		70,0	1	1500x800	DB F4-F5 1350/470	3906
1375/785-590	850	320	F	●	●		39,0	2	1500x800	DB F5-F4 850/320	2490
1375/785-590	1080	320	F	●	●		46,0	2	1500x800	DB F5-F4 1080/320	2492
1375/785-590	1080	470	F	●	●		55,0	1	1500x800	DB F5-F4 1080/470	3863
1375/785-590	1350	320	F	●	●		61,0	2	1500x800	DB F5-F4 1350/320	3600
1375/785-590	1350	470	F	●	●		70,0	1	1500x800	DB F5-F4 1350/470	3907
1570/785-785	850	320	F	●	●		43,0	2	1600x800	DB F5-F5 850/320	0213.1
1570/785-785	850	470	F	●	●		49,0	1	1600x800	DB F5-F5 850/470	2443
1570/785-785	1080	320	F	●	●		51,0	2	1600x800	DB F5-F5 1080/320 (A760-1/1*)	0209.1
1570/785-785	1080	470	F	●	●		60,0	1	1600x800	DB F5-F5 1080/470	2388
1570/785-785	1350	320	F	●	●		69,0	2	1600x800	DB F5-F5 1350/320	3601
1570/785-785	1350	470	F	●	●		78,0	1	1600x800	DB F5-F5 1350/470	3908

* alternative type description ELSTA Mosdorfer Germany

Cabinet combinations

KOMBI

Nominal size			Series	RAL-color		Front flat ribs	Net weight kg	PU/ Pallet pcs.	Pallet WxD	Type	Order no.	
Width	Height	Depth		7035	7032						IP 44	IP 54
880/440-440	850	320	F	●	●	36,0	2	Euro pallet	Kombi F3/1-F3/1 850/320	0216	0216.54	
880/440-440	1080	320	F	●	●	41,0	2	Euro pallet	Kombi F3/1-F3/1 1080/320	0217	0217.54	
1030/440-590	850	320	F	●	●	38,0	2	Euro pallet	Kombi F3/1-F4 850/320	0221	0221.54	
1030/440-590	1080	320	F	●	●	44,0	2	Euro pallet	Kombi F3/1-F4 1080/320	0223	0223.54	
1030/590-440	850	320	F	●	●	38,0	2	Euro pallet	Kombi F4-F3/1 850/320	2444	2444.54	
1030/590-440	1080	320	F	●	●	44,0	2	Euro pallet	Kombi F4-F3/1 1080/320	2445	2445.54	
1180/590-590	850	320	F	●	●	41,0	2	Euro pallet	Kombi F4-F4 850/320	0222	0222.54	
1180/590-590	1080	320	F	●	●	48,0	2	Euro pallet	Kombi F4-F4 1080/320	0218	0218.54	
1180/590-590	1350	320	F	●	●	64,0	2	Euro pallet	Kombi F4-F4 1350/320	3602	3602.54	
1225/440-785	850	320	F	●	●	42,0	2	1500x800	Kombi F3/1-F5 850/320	0224	0224.54	
1225/440-785	1080	320	F	●	●	49,0	2	1500x800	Kombi F3/1-F5 1080/320	0225	0225.54	
1225/785-440	850	320	F	●	●	42,0	2	1500x800	Kombi F5-F3/1 850/320	2493	2493.54	
1225/785-440	1080	320	F	●	●	49,0	2	1500x800	Kombi F5-F3/1 1080/320	2495	2495.54	
1375/590-785	850	320	F	●	●	44,0	2	1500x800	Kombi F4-F5 850/320	0226	0226.54	
1375/590-785	850	470	F	●	●	55,0	1	1500x800	Kombi F4-F5 850/470	3880	3880.54	
1375/590-785	1080	320	F	●	●	54,0	2	1500x800	Kombi F4-F5 1080/320	0229	0229.54	
1375/590-785	1080	470	F	●	●	64,0	1	1500x800	Kombi F4-F5 1080/470	3879	3879.54	
1375/590-785	1350	320	F	●	●	71,0	2	1500x800	Kombi F4-F5 1350/320	3603	3603.54	
1375/590-785	1350	470	F	●	●	87,0	1	1500x800	Kombi F4-F5 1350/470	3909	3909.54	
1375/785-590	850	320	F	●	●	44,0	2	1500x800	Kombi F5-F4 850/320	2494	2494.54	
1375/785-590	850	470	F	●	●	55,0	1	1500x800	Kombi F5-F4 850/470	3882	3882.54	
1375/785-590	1080	320	F	●	●	54,0	2	1500x800	Kombi F5-F4 1080/320	2496	2496.54	
1375/785-590	1080	470	F	●	●	64,0	1	1500x800	Kombi F5-F4 1080/470	3881	3881.54	
1375/785-590	1350	320	F	●	●	71,0	2	1500x800	Kombi F5-F4 1350/320	3604	3604.54	
1375/785-590	1350	470	F	●	●	87,0	1	1500x800	Kombi F5-F4 1350/470	3910	3910.54	
1570/785-785	850	320	F	●	●	48,0	2	1600x800	Kombi F5-F5 850/320	0219	0219.54	
1570/785-785	850	470	F	●	●	57,0	1	1600x800	Kombi F5-F5 850/470	2497	2497.54	
1570/785-785	1080	320	F	●	●	57,0	2	1600x800	Kombi F5-F5 1080/320	0220	0220.54	
1570/785-785	1080	470	F	●	●	70,0	1	1600x800	Kombi F5-F5 1080/470	2498	2498.54	
1570/785-785	1350	320	F	●	●	78,0	2	1600x800	Kombi F5-F5 1350/320	3605	3605.54	
1570/785-785	1350	470	F	●	●	94,0	1	1600x800	Kombi F5-F5 1350/470	3911	3911.54	
1705/590-1115	1080	320	F	●	●	61,0	2	1800x800	Kombi F4-F6 1080/320	3884	3884.54	
1705/590-1115	1080	470	F	●	●	74,0	1	1800x800	Kombi F4-F6 1080/470	3885	3885.54	
1705/590-1115	1350	320	F	●	●	83,0	2	1800x800	Kombi F4-F6 1350/320	3606	3606.54	
1705/590-1115	1350	470	F	●	●	100,0	1	1800x800	Kombi F4-F6 1350/470	3912	3912.54	
1705/1115-590	1080	320	F	●	●	61,0	2	1800x800	Kombi F6-F4 1080/320	3269	3269.54	
1705/1115-590	1080	470	F	●	●	74,0	1	1800x800	Kombi F6-F4 1080/470	3883	3883.54	
1705/1115-590	1350	320	F	●	●	83,0	2	1800x800	Kombi F6-F4 1350/320	3607	3607.54	
1705/1115-590	1350	470	F	●	●	100,0	1	1800x800	Kombi F6-F4 1350/470	3913	3913.54	
1900/785-1115	1080	320	F	●	●	66,0	2	2200x800	Kombi F5-F6 1080/320	3888	3888.54	
1900/785-1115	1080	470	F	●	●	79,0	1	2200x800	Kombi F5-F6 1080/470	3889	3889.54	
1900/785-1115	1350	320	F	●	●	91,0	2	2200x800	Kombi F5-F6 1350/320	3608	3608.54	
1900/785-1115	1350	470	F	●	●	107,0	1	2200x800	Kombi F5-F6 1350/470	3914	3914.54	
1900/1115-785	1080	320	F	●	●	66,0	2	2200x800	Kombi F6-F5 1080/320	3886	3886.54	
1900/1115-785	1080	470	F	●	●	79,0	1	2200x800	Kombi F6-F5 1080/470	3887	3887.54	
1900/1115-785	1350	320	F	●	●	91,0	2	2200x800	Kombi F6-F5 1350/320	3609	3609.54	
1900/1115-785	1350	470	F	●	●	107,0	1	2200x800	Kombi F6-F5 1350/470	3915	3915.54	

Cabinet combinations

DH

Width	Nominal size		Series	RAL-color		Front	Net weight	PU/ Pallet	Pallet	Type	Order no.	
	Height	Depth		7035	7032						flat	ribs
590	850-850	320	F	●	●		36,0	4	Euro pallet	DH F4 850-850/320	0160	0160.54
590	850-850	470	F	●	●		44,0	2	Euro pallet	DH F4 850-850/470	2718	2718.54
590	850-850	635	F	●	●		51,0	2	Euro pallet	DH F4 850-850/635	2722	2722.54
590	850-1080	320	F	●	●		40,0	4	Euro pallet	DH F4 850-1080/320	0162	0162.54
590	850-1080	470	F	●	●		50,0	2	Euro pallet	DH F4 850-1080/470	2719	2719.54
590	850-1080	635	F	●	●		56,0	2	Euro pallet	DH F4 850-1080/635	2723	2723.54
590	1080-850	320	F	●	●		40,0	4	Euro pallet	DH F4 1080-850/320	2437	2437.54
590	1080-850	470	F	●	●		50,0	2	Euro pallet	DH F4 1080-850/470	2720	2720.54
590	1080-850	635	F	●	●		56,0	2	Euro pallet	DH F4 1080-850/635	2724	2724.54
590	1080-1080	470	F	●	●		55,0	2	Euro pallet	DH F4 1080-1080/470	2721	2721.54
590	1080-1080	635	F	●	●		62,0	2	Euro pallet	DH F4 1080-1080/635	2725	2725.54
785	850-850	320	F	●	●		42,0	3	Euro pallet	DH F5 850-850/320	0161	0161.54
785	850-850	470	F	●	●		49,0	2	Euro pallet	DH F5 850-850/470	2726	2726.54
785	850-850	635	F	●	●		58,0	1	Euro pallet	DH F5 850-850/635	2729	2729.54
785	850-1080	320	F	●	●		47,0	3	Euro pallet	DH F5 850-1080/320	0163	0163.54
785	850-1080	470	F	●	●		56,0	2	Euro pallet	DH F5 850-1080/470	2727	2727.54
785	850-1080	635	F	●	●		64,0	1	Euro pallet	DH F5 850-1080/635	2730	2730.54
785	1080-850	320	F	●	●		47,0	3	Euro pallet	DH F5 1080-850/320	2439	2439.54
785	1080-850	470	F	●	●		56,0	2	Euro pallet	DH F5 1080-850/470	2609	2609.54
785	1080-850	635	F	●	●		64,0	1	Euro pallet	DH F5 1080-850/635	2731	2731.54
785	1080-1080	470	F	●	●		62,0	2	Euro pallet	DH F5 1080-1080/470	2728	2728.54
785	1080-1080	635	F	●	●		71,0	1	Euro pallet	DH F5 1080-1080/635	2732	2732.54
1115	850-850	320	F	●	●		56,0	2	Euro pallet	DH F6 850-850/320	0765	0765.54
1115	850-850	470	F	●	●		64,0	1	Euro pallet	DH F6 850-850/470	2733	2733.54
1115	850-850	635	F	●	●		75,0	1	Euro pallet	DH F6 850-850/635	2736	2736.54
1115	850-1080	320	F	●	●		62,0	2	Euro pallet	DH F6 850-1080/320	1213	1213.54
1115	850-1080	470	F	●	●		71,0	1	Euro pallet	DH F6 850-1080/470	2606	2606.54
1115	850-1080	635	F	●	●		82,0	1	Euro pallet	DH F6 850-1080/635	2737	2737.54
1115	1080-850	320	F	●	●		62,0	2	Euro pallet	DH F6 1080-850/320	2440	2440.54
1115	1080-850	470	F	●	●		71,0	1	Euro pallet	DH F6 1080-850/470	2734	2734.54
1115	1080-850	635	F	●	●		82,0	1	Euro pallet	DH F6 1080-850/635	2738	2738.54
1115	1080-1080	470	F	●	●		79,0	1	Euro pallet	DH F6 1080-1080/470	2735	2735.54
1115	1080-1080	635	F	●	●		89,0	1	Euro pallet	DH F6 1080-1080/635	2739	2739.54

Ground-mounted bases

Nominal size			Features	Net weight kg	PU/ Pallet pcs.	Pallet WxD	Type	Order no.	
Width	Height	Depth						RAL 7032	RAL 7035
440	950	200	AS/ST/ST	10,0	30	1250x1000	S3 950/180	0327.ST	o
440	1200	200	AS/ST/ST	11,3	30	1250x1250	S3 1200/180	0330.ST	o
440	1200S	200	AS/ST/ST	13,8	30	1250x1250	S3S 1200/180	0433.ST	o
440	950	250	AS/ST/ST	12,0	20	1250x1000	S3/1 950/250	1457.ST	o
440	1200	250	AS/ST/ST	12,6	20	1250x1000	S3/1 1200/250	1460.ST	o
440	1200S	250	AS/ST/ST	15,1	20	1250x1000	S3/1S 1200/250	1461.ST	o
440	950	320	AS/ST/SC	12,7	20	1200x1000	S3/1 950/320	SX310	o
440	950	320	AS/ST/ST	12,7	20	1200x1000	S3/1 950/320	SX311	o
440	950	320	WP/ST/ST	12,7	20	1200x1000	S3/1 950/320	SX312	o
440	1200	320	AS/ST/SC	14,0	20	1200x1250	S3/1 1200/320	SX320	o
440	1200	320	AS/ST/ST	14,0	20	1200x1250	S3/1 1200/320	SX321	o
440	1200	320	WP/ST/ST	14,0	20	1200x1250	S3/1 1200/320	SX322	o
440	1200S	320	AS/ST/SC	16,5	20	1200x1250	S3/1S 1200/320	SX330	o
440	1200S	320	AS/ST/ST	16,5	20	1200x1250	S3/1S 1200/320	SX331	o
440	1200S	320	WP/ST/ST	16,5	20	1200x1250	S3/1S 1200/320	SX332	o
460	950	320	AS/ST/SC	13,3	20	1200x1000	S X00 950/320	o	SX300.1
460	950	320	AS/ST/ST	13,3	20	1200x1000	S X00 950/320	o	SX301.1
460	950	320	WP/ST/ST	13,3	20	1200x1000	S X00 950/320	o	SX302.1
460	950	320	WP/ST/SC	13,3	20	1200x1000	S X00 950/320	o	SX303.1
460	950	320	WP/SC/SC	13,3	20	1200x1000	S X00 950/320	o	SX304.1
460	1200	320	AS/ST/SC	14,8	20	1200x1250	S X00 1200/320	o	SX340.1
460	1200	320	AS/ST/ST	14,8	20	1200x1250	S X00 1200/320	o	SX341.1
460	1200	320	WP/ST/ST	14,8	20	1200x1250	S X00 1200/320	o	SX342.1
460	1200S	320	AS/ST/SC	17,2	20	1200x1250	S X00 S 1200/320	o	SX350.1
460	1200S	320	AS/ST/ST	17,2	20	1200x1250	S X00 S 1200/320	o	SX351.1
460	1200S	320	WP/ST/ST	17,2	20	1200x1250	S X00 S 1200/320	o	SX352.1
590	950	250	AS/ST/ST	13,5	20	1200x1000	S4 950/250	1458.ST	1458.ST.1
590	1200	250	AS/ST/ST	14,5	20	1200x1250	S4 1200/250	1462.ST	o
590	1200S	250	AS/ST/ST	17,5	20	1200x1250	S4S 1200/250	1463.ST	o
590	950	320	AS/ST/SC	14,3	20	1200x1000	S4 950/320	SX410	SX410.1
590	950	320	AS/ST/ST	14,3	20	1200x1000	S4 950/320	SX411	SX411.1
590	950	320	WP/ST/ST	14,3	20	1200x1000	S4 950/320	SX412	SX412.1
590	950	320	WP/ST/SC	14,3	20	1200x1000	S4 950/320	o	SX413.1
590	950	320	WP/SC/SC	14,3	20	1200x1000	S4 950/320	SX414	SX414.1
590	1200	320	AS/ST/SC	15,8	20	1200x1250	S4 1200/320	SX420	SX420.1
590	1200	320	AS/ST/ST	15,8	20	1200x1250	S4 1200/320	SX421	SX421.1
590	1200	320	WP/ST/ST	15,8	20	1200x1250	S4 1200/320	SX422	SX422.1
590	1200S	320	AS/ST/SC	19,0	20	1200x1250	S4S 1200/320	SX430	SX430.1
590	1200S	320	AS/ST/ST	19,0	20	1200x1250	S4S 1200/320	SX431	SX431.1
590	1200S	320	WP/ST/ST	19,0	20	1200x1250	S4S 1200/320	SX432	SX432.1

Ground-mounted bases

Nominal size			Features	Net weight kg	PU/ Pallet pcs.	Pallet WxD	Type	Order no.	
Width	Height	Depth						RAL 7032	RAL 7035
590	950	412	WP/ST/ST	17,2	10	1200x1000	S4 950/412	o	3660
590	1200	412	o	-	5	Euro pallet	S4 1200/412	o	o
590	1200S	412	o	-	5	Euro pallet	S4S 1200/412	o	o
590	950	470	AS/ST/ST	18,0	10	1200x1000	S4 950/470	0668	●
590	950	470	WP/ST/ST	18,0	10	1200x1000	S4 950/470	10018967	10038355
590	1200	470	AS/ST/ST	20,0	10	1200x1250	S4 1200/470	1444	o
590	1200S	470	AS/ST/ST	23,0	10	1200x1250	S4S 1200/470	2446	o
590	950	635	AS/ST/ST	22,0	5	Euro pallet	S4 950/635	SX4DT10	●
590	950	635	WP/ST/ST	22,0	5	Euro pallet	S4 950/635	●	10039700
590	1200	635	AS/ST/SC	32,0	5	Euro pallet	S4 1200/635 R/R	SX4DT20	●
590	1200S	635	AS/ST/SC	39,0	5	Euro pallet	S4S 1200/635 R/R	SX4DT30	●
785	950	250	AS/ST/ST	17,5	20	1200x1000	S5 950/250	1459.ST	1459.ST.1
785	1200	250	AS/ST/ST	18,5	20	1200x1250	S5 1200/250	1464.ST	●
785	1200S	250	AS/ST/ST	21,0	20	1200x1250	S5S 1200/250	1465.ST	●
785	950	320	AS/ST/SC	16,5	20	1200x1000	S5 950/320	SX510	SX510.1
785	950	320	AS/ST/ST	16,5	20	1200x1000	S5 950/320	SX511	SX511.1
785	950	320	WP/ST/ST	16,5	20	1200x1000	S5 950/320	SX512	SX512.1
785	950	320	WP/ST/SC	16,5	20	1200x1000	S5 950/320	●	SX513.1
785	950	320	WP/SC/SC	16,5	20	1200x1000	S5 950/320	SX514	SX514.1
785	1200	320	AS/ST/SC	17,8	20	1200x1250	S5 1200/320	SX520	SX520.1
785	1200	320	AS/ST/ST	17,8	20	1200x1250	S5 1200/320	SX521	SX521.1
785	1200	320	WP/ST/ST	17,8	20	1200x1250	S5 1200/320	SX522	SX522.1
785	1200S	320	AS/ST/SC	22,4	20	1200x1250	S5S 1200/320	SX530	SX530.1
785	1200S	320	AS/ST/ST	22,4	20	1200x1250	S5S 1200/320	SX531	SX531.1
785	1200S	320	WP/ST/ST	22,4	20	1200x1250	S5S 1200/320	SX532	SX532.1
785	950	412	WP/ST/ST	20,4	10	1200x1000	S5 950/412	o	3650
785	1200	412	o	-	5	Euro pallet	S5 1200/412	o	o
785	1200S	412	o	-	5	Euro pallet	S5S 1200/412	o	o
785	950	470	AS/ST/ST	21,4	10	1200x1250	S5 950/470	0670	0670.1
785	950	470	WP/ST/ST	21,4	10	1200x1250	S5 950/470	10018966	10037573
785	1200	470	AS/ST/ST	23,0	5	Euro pallet	S5 1200/470	1445	o
785	1200S	470	AS/ST/ST	28,0	5	Euro pallet	S5S 1200/470	1447	o
785	950	635	AS/ST/ST	26,0	10	1200x1000	S5 950/635	SX5DT10	SX5DT10.1
785	950	635	WP/ST/ST	26,0	10	1200x1000	S5 950/635	●	10039701
785	1200	635	AS/ST/SC	37,0	5	Euro pallet	S5 1200/635 R/R	SX5DT20	●
785	1200S	635	AS/ST/SC	45,0	5	Euro pallet	S5S 1200/635 R/R	SX5DT30	●

Nominal size			Features	Net weight kg	PU/ Pallet pcs.	Pallet WxD	Type	Order no.	
Width	Height	Depth						RAL 7032	RAL 7035
1115	950	320	AS/ST/SC	21,5	20	1200x1250	S6 950/320	SX610	SX610.1
1115	950	320	AS/ST/ST	21,5	20	1200x1250	S6 950/320	SX611	SX611.1
1115	950	320	WP/ST/ST	21,5	20	1200x1250	S6 950/320	SX612	SX612.1
1115	950	320	WP/ST/SC	21,5	20	1200x1250	S6 950/320	●	SX613.1
1115	950	320	WP/SC/SC	21,5	20	1200x1250	S6 950/320	SX614	SX614.1
1115	1200	320	AS/ST/SC	23,0	20	1200x1250	S6 1200/320	SX620	SX620.1
1115	1200	320	AS/ST/ST	23,0	20	1200x1250	S6 1200/320	SX621	SX621.1
1115	1200	320	WP/ST/ST	23,0	20	1200x1250	S6 1200/320	SX622	SX622.1
1115	1200S	320	AS/ST/SC	30,6	20	1200x1250	S6S 1200/320	SX630	SX630.1
1115	1200S	320	AS/ST/ST	30,6	20	1200x1250	S6S 1200/320	SX631	SX631.1
1115	1200S	320	WP/ST/ST	30,6	20	1200x1250	S6S 1200/320	SX632	SX632.1
1115	950	412	WP/ST/ST	24,0	5	Euro pallet	S6 950/412	○	3649
1115	1200	412	○	-	5	Euro pallet	S6 1200/412	○	○
1115	1200S	412	○	-	5	Euro pallet	S6S 1200/412	○	○
1115	950	470	AS/ST/ST	25,0	10	1200x1250	S6 950/470	0669	0669.1
1115	950	470	WP/ST/ST	25,0	10	1200x1250	S6 950/470	10021661	10037572
1115	1200	470	AS/ST/ST	27,0	5	1200x1250	S6 1200/470	1446	○
1115	1200S	470	AS/ST/ST	33,5	5	1200x1250	S6S 1200/470	2447	○
1115	950	635	AS/ST/ST	29,5	5	1200x1250	S6 950/635	SX6DT10	●
1115	950	635	WP/ST/ST	29,5	5	1200x1250	S6 950/635	10031306	10039703
1115	1200	635	AS/ST/SC	47,0	5	1200x1250	S6 1200/635 R/R	SX6DT20	●
1115	1200S	635	AS/ST/SC	62,0	5	1200x1250	S6S 1200/635 R/R	SX6DT30	●
1445	950	320	AS/ST/ST	30,0	20	1200x100	S X3 950/320	○	3733
1445	950	320	WP/ST/ST	30,0	20	1200x100	S X3 950/320	○	2990
1445	1200	320	AS/ST/ST	33,0	20	1200x1250	S X3 1200/320	○	3734
1445	1200	320	WP/ST/ST	33,0	20	1200x1250	S X3 1200/320	○	3766
1445	1200S	320	AS/ST/ST	43,0	20	1200x1250	S X3 S 1200/320	○	3735
1445	1200S	320	WP/ST/ST	43,0	20	1200x1250	S X3 S 1200/320	○	2991
1445	950	412	WP/ST/ST	33,0	10	1200x100	S X3 950/412	○	3661
1445	1200	412	○	-	10	1200x1250	S X3 1200/412	○	○
1445	1200S	412	○	-	10	1200x1250	S X3 S 1200/412	○	○
1445	950	470	AS/ST/ST	34,0	10	1200x100	S X3 950/470	○	3732
1445	950	470	WP/ST/ST	34,0	10	1200x100	S X3 950/470	○	10039501
1445	1200	470	○	-	10	1200x1250	S X3 1200/470	○	○
1445	1200S	470	○	-	10	1200x1250	S X3 S 1200/470	○	○
1445	950	635	WP/ST/ST	36,0	5	Euro pallet	S X3 950/635	○	10039704
1445	1200	635	○	-	5	Euro pallet	S X3 1200/635 R/R	○	●
1445	1200S	635	○	-	5	Euro pallet	S X3 S 1200/635 R/R	○	●

Ground-mounted bases

Combinations

Nominal size			Features	Net weight kg	PU/ Pallet pcs.	Pallet WxD	Type	Order no.	
Width	Height	Depth						RAL 7032	RAL 7035
880/440-440	950	320	AS/ST/SC	25,8	2	Euro pallet	S3/1-S3/1 950/320	SXZ3310	○
880/440-440	950	320	WP/ST/ST	25,8	2	Euro pallet	S3/1-S3/1 950/320	SXZ3312	○
880/440-440	1200	320	AS/ST/SC	28,0	2	Euro pallet	S3/1-S3/1 1200/320	SXZ3320	○
880/440-440	1200S	320	○	32,0	2	Euro pallet	S3/1S-S3/1S 1200/320	●	○
1030/440-590	950	320	AS/ST/SC	27,2	2	Euro pallet	S3/1-S4 950/320	SXZ3410	○
1030/440-590	950	320	WP/ST/ST	27,2	2	Euro pallet	S3/1-S4 950/320	SXZ3412	○
1030/440-590	1200	320	AS/ST/SC	29,8	2	Euro pallet	S3/1-S4 1200/320	SXZ3420	○
1030/440-590	1200S	320	○	35,5	2	Euro pallet	S3/1S-S4S 1200/320	●	○
1030/590-440	950	320	AS/ST/SC	27,2	2	Euro pallet	S4-S3/1 950/320	SXZ4310	○
1030/590-440	1200	320	AS/ST/SC	29,8	2	Euro pallet	S4-S3/1 1200/320	SXZ4320	○
1030/590-440	1200S	320	○	35,5	2	Euro pallet	S4S-S3/1S 1200/320	●	○
1180/590-590	950	320	AS/ST/SC	29,0	2	Euro pallet	S4-S4 950/320	SXZ4410	○
1180/590-590	950	320	WP/ST/ST	29,0	2	Euro pallet	S4-S4 950/320	SXZ4412	○
1180/590-590	1200	320	AS/ST/SC	32,0	2	Euro pallet	S4-S4 1200/320	SXZ4420	○
1180/590-590	1200S	320	AS/ST/SC	38,0	2	Euro pallet	S4S-S4S 1200/320	SXZ4430	○
1225/440-785	950	320	AS/ST/SC	29,5	2	Euro pallet	S3/1-S5 950/320	SXZ3510	○
1225/440-785	950	320	WP/ST/ST	29,5	2	Euro pallet	S3/1-S5 950/320	SXZ3512	○
1225/440-785	1200	320	AS/ST/SC	31,8	2	Euro pallet	S3/1-S5 1200/320	SXZ3520	○
1225/440-785	1200S	320	○	40,0	2	Euro pallet	S3/1S-S5S 1200/320	●	○
1225/785-440	950	320	AS/ST/SC	29,5	2	Euro pallet	S5-S3/1 950/320	SXZ5310	○
1225/785-440	1200	320	AS/ST/SC	31,8	2	Euro pallet	S5-S3/1 1200/320	SXZ5320	○
1225/785-440	1200S	320	○	40,0	2	Euro pallet	S5S-S3/1S 1200/320	●	○
1375/590-785	950	320	AS/ST/SC	31,5	2	1500x800	S4-S5 950/320	SXZ4510	○
1375/590-785	950	320	WP/ST/ST	31,5	2	1500x800	S4-S5 950/320	SXZ4512	○
1375/590-785	1200	320	AS/ST/SC	34,5	2	1500x800	S4-S5 1200/320	SXZ4520	○
1375/590-785	1200S	320	AS/ST/SC	41,5	2	1500x800	S4S-S5S 1200/320	SXZ4530	○
1375/590-785	950	412	WP/ST/ST	34,0	1	1500x800	S4-S5 950/412	○	SXZ4541212.1
1375/590-785	1200	412	○	-	1	1500x800	S4-S5 1200/412	○	○
1375/590-785	1200S	412	○	-	1	1500x800	S4S-S5S 1200/412	○	○
1375/590-785	950	470	AS/ST/ST	36,0	1	1500x800	S4-S5 950/470	SXZ454710	○
1375/590-785	1200	470	○	43,0	1	1500x800	S4-S5 1200/470	●	○
1375/590-785	1200S	470	○	51,0	1	1500x800	S4S-S5S 1200/470	●	○
1375/785-590	950	320	AS/ST/SC	31,5	2	1500x800	S5-S4 950/320	SXZ5410	○
1375/785-590	1200	320	AS/ST/SC	34,5	2	1500x800	S5-S4 1200/320	SXZ5420	○
1375/785-590	1200S	320	AS/ST/SC	41,5	2	1500x800	S5S-S4S 1200/320	SXZ5430	○
1375/785-590	950	412	WP/ST/ST	34,0	1	1500x800	S5-S4 950/412	○	SXZ5441212.1
1375/785-590	1200	412	○	-	1	1500x800	S5-S4 1200/412	○	○
1375/785-590	1200S	412	○	-	1	1500x800	S5S-S4S 1200/412	○	○

Nominal size			Features	Net weight kg	PU/ Pallet pcs.	Pallet WxD	Type	Order no.	
Width	Height	Depth						RAL 7032	RAL 7035
1375/785-590	950	470	AS/ST/ST	36,0	1	1500x800	S5-S4 950/470	SXZ544710	○
1375/785-590	950	470	WP/ST/ST	36,0	1	1500x800	S5-S4 950/470	SXZ544712	○
1375/785-590	1200	470	○	43,0	1	1500x800	S5-S4 1200/470	●	○
1375/785-590	1200S	470	○	51,0	1	1500x800	S5S-S4S 1200/470	●	○
1570/785-785	950	320	AS/ST/SC	34,5	2	1700x800	S5-S5 950/320	SXZ5510	○
1570/785-785	950	320	WP/ST/ST	34,5	2	1700x800	S5-S5 950/320	SXZ5512	○
1570/785-785	1200	320	AS/ST/SC	37,5	2	1700x800	S5-S5 1200/320	SXZ5520	○
1570/785-785	1200S	320	AS/ST/SC	45,0	2	1700x800	S5S-S5S 1200/320	SXZ5530	○
1570/785-785	950	412	WP/ST/ST	40,0	1	1700x800	S5-S5 950/412	○	SXZ5541212.1
1570/785-785	1200	412	○	-	1	1700x800	S5-S5 1200/412	○	○
1570/785-785	1200S	412	○	-	1	1700x800	S5S-S5S 1200/412	○	○
1570/785-785	950	470	AS/ST/ST	42,0	1	1700x800	S5-S5 950/470	SXZ554710	○
1570/785-785	950	470	WP/ST/ST	42,0	1	1700x800	S5-S5 950/470	SXZ554712	○
1570/785-785	1200	470	AS/ST/ST	46,0	1	1700x800	S5-S5 1200/470	SXZ554720	○
1570/785-785	1200S	470	○	56,0	1	1700x800	S5S-S5S 1200/470	●	○
1705/590-1115	950	320	AS/ST/SC	36,0	2	1700x800	S4-S6 950/320	SXZ4610	○
1705/590-1115	1200	320	AS/ST/SC	39,0	2	1700x800	S4-S6 1200/320	SXZ4620	○
1705/590-1115	1200S	320	AS/ST/SC	50,0	2	1700x800	S4S-S6S 1200/320	SXZ4630	○
1705/590-1115	950	412	WP/ST/ST	42,0	1	1700x800	S4-S6 950/412	○	SXZ4641212.1
1705/590-1115	1200	412	○	-	1	1700x800	S4-S6 1200/412	○	○
1705/590-1115	1200S	412	○	-	1	1700x800	S4S-S6S 1200/412	○	○
1705/590-1115	950	470	AS/ST/ST	44,0	1	1700x800	S4-S6 950/470	SXZ464710	○
1705/590-1115	950	470	WP/ST/ST	44,0	1	1700x800	S4-S6 950/470	SXZ464712	○
1705/590-1115	1200	470	○	47,0	1	1700x800	S4-S6 1200/470	●	○
1705/590-1115	1200S	470	○	57,0	1	1700x800	S4S-S6S 1200/470	●	○
1705/1115-590	950	320	AS/ST/SC	36,0	2	1700x800	S6-S4 950/320	SXZ6410	○
1705/1115-590	1200	320	AS/ST/SC	39,0	2	1700x800	S6-S4 1200/320	SXZ6420	○
1705/1115-590	1200S	320	AS/ST/SC	50,0	2	1700x800	S6S-S4S 1200/320	SXZ6430	○
1705/1115-590	950	412	WP/ST/ST	42,0	1	1700x800	S6-S4 950/412	○	SXZ6441212.1
1705/1115-590	1200	412	○	-	1	1700x800	S6-S4 1200/412	○	○
1705/1115-590	1200S	412	○	-	1	1700x800	S6S-S4S 1200/412	○	○
1705/1115-590	950	470	AS/ST/ST	44,0	1	1700x800	S6-S4 950/470	SXZ644710	○
1705/1115-590	1200	470	AS/ST/ST	47,0	1	1700x800	S6-S4 1200/470	SXZ644720	○
1705/1115-590	1200S	470	AS/ST/ST	57,0	1	1700x800	S6S-S4S 1200/470	SXZ644730	○
1900/785-1115	950	320	AS/ST/SC	39,0	2	2000x800	S5-S6 950/320	SXZ5610	○
1900/785-1115	950	320	WP/ST/ST	39,0	2	2000x800	S5-S6 950/320	SXZ5612	○
1900/785-1115	1200	320	AS/ST/SC	42,0	2	2000x800	S5-S6 1200/320	SXZ5620	○
1900/785-1115	1200S	320	AS/ST/SC	53,5	2	2000x800	S5S-S6S 1200/320	SXZ5630	○
1900/785-1115	950	412	WP/ST/ST	46,0	1	2000x800	S5-S6 950/412	○	SXZ5641212.1
1900/785-1115	1200	412	○	-	1	2000x800	S5-S6 1200/412	○	○
1900/785-1115	1200S	412	○	-	1	2000x800	S5S-S6S 1200/412	○	○
1900/785-1115	950	470	AS/ST/ST	50,0	1	2000x800	S5-S6 950/470	SXZ564710	○
1900/785-1115	950	470	WP/ST/ST	50,0	1	2000x800	S5-S6 950/470	SXZ564712	○
1900/785-1115	1200	470	○	53,0	1	2000x800	S5-S6 1200/470	●	○
1900/785-1115	1200S	470	AS/ST/ST	61,5	1	2000x800	S5S-S6S 1200/470	SXZ564730	○

Ground-mounted bases

Combinations

Nominal size			Features	Net weight kg	PU/ Pallet pcs.	Pallet WxD	Type	Order no.	
Width	Height	Depth						RAL 7032	RAL 7035
1900/1115-785	950	320	AS/ST/SC	39,0	2	2000x800	S6-S5 950/320	SXZ6510	○
1900/1115-785	1200	320	AS/ST/SC	42,0	2	2000x800	S6-S5 1200/320	SXZ6520	○
1900/1115-785	1200S	320	AS/ST/SC	53,5	2	2000x800	S6S-S5S 1200/320	SXZ6530	○
1900/1115-785	950	412	WP/ST/ST	46,0	1	2000x800	S6-S5 950/412	○	SXZ6541212.1
1900/1115-785	1200	412	○	-	1	2000x800	S6-S5 1200/412	○	○
1900/1115-785	1200S	412	○	-	1	2000x800	S6S-S5S 1200/412	○	○
1900/1115-785	950	470	AS/ST/ST	50,0	1	2000x800	S6-S5 950/470	SXZ654710	○
1900/1115-785	1200	470	○	53,0	1	2000x800	S6-S5 1200/470	●	○
1900/1115-785	1200S	470	○	61,5	1	2000x800	S6S-S5S 1200/470	●	○

Bases for floor-mounting

Nominal size			Features	Net weight kg	PU/ Pallet pcs.	Pallet WxD	Type	Order no.	
Width	Height	Depth						RAL 7032	RAL 7035
440	250	200	AS/ST/ST	4,5	12	Euro pallet	SB3 250/180	1414	○
440	500	200	AS/ST/ST	7,6	8	Euro pallet	SB3 500/180	1415	○
440	250	250	AS/ST/ST	5,4	12	Euro pallet	SB3/1 250/250	1472	○
440	500	250	AS/ST/ST	8,8	8	Euro pallet	SB3/1 500/250	1473	○
440	250	320	AS/ST/ST	6,2	12	Euro pallet	SB3/1 250/320	1416	○
440	500	320	AS/ST/ST	10,0	8	Euro pallet	SB3/1 500/320	1417	○
440	750	320	AS/ST/ST	13,5	4	Euro pallet	SB3/1 750/320	1429	○
460	250	320	AS/ST/ST	5,5	12	Euro pallet	SB X00 250/320	○	2200.1
460	250	320	WP/ST/ST	5,5	12	Euro pallet	SB X00 250/320	○	10025764
460	500	320	AS/ST/ST	11,0	8	Euro pallet	SB X00 500/320	○	2210.1
460	500	320	WP/ST/ST	11,0	8	Euro pallet	SB X00 500/320	○	10025766
590	250	250	AS/ST/ST	7,0	18	Euro pallet	SB4 250/250	1474	1474.1
590	500	250	AS/ST/ST	10,0	12	Euro pallet	SB4 500/250	1475	1475.1
590	250	320	AS/ST/ST	7,3	12	Euro pallet	SB4 250/320	1418	1418.1
590	250	320	WP/ST/ST	7,3	12	Euro pallet	SB4 250/320	10026746	10025767
590	500	320	AS/ST/ST	11,5	8	Euro pallet	SB4 500/320	1420	1420.1
590	500	320	WP/ST/ST	11,5	8	Euro pallet	SB4 500/320	10026750	10025768
590	750	320	AS/ST/ST	18,0	4	Euro pallet	SB4 750/320	1430	●
590	250	412	WP/ST/ST	9,5	6	Euro pallet	SB4 250/412	○	3736.1
590	500	412	WP/ST/ST	11,5	4	Euro pallet	SB4 500/412	○	3737.1

Nominal size			Features	Net weight kg	PU/ Pallet pcs.	Pallet WxD	Type	Order no.	
Width	Height	Depth						RAL 7032	RAL 7035
590	250	470	AS/ST/ST	9,5	6	Euro pallet	SB4 250/470	2709	2709.1
590	250	470	WP/ST/ST	9,5	6	Euro pallet	SB4 250/470	10037188	10050720
590	500	470	AS/ST/ST	12,0	4	Euro pallet	SB4 500/470	2710	2710.1
590	500	470	WP/ST/ST	12,0	4	Euro pallet	SB4 500/470	●	10050721
590	250	635	AS/ST/ST	10,5	6	Euro pallet	SB4 250/635	2711	●
590	500	635	AS/ST/ST	18,0	4	Euro pallet	SB4 500/635	2713	●
785	250	250	AS/ST/ST	9,0	12	Euro pallet	SB5 250/250	1476	1476.1
785	500	250	AS/ST/ST	15,0	8	Euro pallet	SB5 500/250	1477	1477.1
785	250	320	AS/ST/ST	9,0	9	Euro pallet	SB5 250/320	1421	1421.1
785	250	320	WP/ST/ST	9,0	9	Euro pallet	SB5 250/320	10026747	10025769
785	500	320	AS/ST/ST	14,0	6	Euro pallet	SB5 500/320	1422	1422.1
785	500	320	WP/ST/ST	14,0	6	Euro pallet	SB5 500/320	10026751	10025770
785	750	320	AS/ST/ST	20,0	3	Euro pallet	SB5 750/320	1431	●
785	250	412	WP/ST/ST	11,5	6	Euro pallet	SB5 250/412	○	3738.1
785	500	412	WP/ST/ST	16,5	4	Euro pallet	SB5 500/412	○	3739.1
785	250	470	AS/ST/ST	11,5	6	Euro pallet	SB5 250/470	2333	●
785	250	470	WP/ST/ST	11,5	6	Euro pallet	SB5 250/470	10030416	10050382
785	500	470	AS/ST/ST	17,0	4	Euro pallet	SB5 500/470	2527	2527.1
785	500	470	WP/ST/ST	17,0	4	Euro pallet	SB5 500/470	10037791	10050722
785	250	635	AS/ST/ST	13,4	3	Euro pallet	SB5 250/635	2714	●
785	500	635	AS/ST/ST	21,0	2	Euro pallet	SB5 500/635	2715	●
1115	250	320	AS/ST/ST	11,2	6	Euro pallet	SB6 250/320	1423	1423.1
1115	250	320	WP/ST/ST	11,2	6	Euro pallet	SB6 250/320	10026748	10025771
1115	500	320	AS/ST/ST	17,5	4	Euro pallet	SB6 500/320	1425	1425.1
1115	500	320	WP/ST/ST	17,5	4	Euro pallet	SB6 500/320	10026752	10025772
1115	750	320	AS/ST/ST	24,0	2	Euro pallet	SB6 750/320	1432	●
1115	250	412	WP/ST/ST	14,0	3	Euro pallet	SB6 250/412	○	3740.1
1115	500	412	WP/ST/ST	20,5	2	Euro pallet	SB6 500/412	○	3741.1
1115	250	470	AS/ST/ST	14,0	3	Euro pallet	SB6 250/470	2183	●
1115	250	470	WP/ST/ST	14,0	3	Euro pallet	SB6 250/470	10032513	10050553
1115	500	470	AS/ST/ST	21,0	2	Euro pallet	SB6 500/470	1407	●
1115	500	470	WP/ST/ST	21,0	2	Euro pallet	SB6 500/470	10034198	10050713
1115	250	635	AS/ST/ST	16,0	3	Euro pallet	SB6 250/635	2716	2716.1
1115	500	635	AS/ST/ST	25,0	2	Euro pallet	SB6 500/635	2717	●
1445	250	320	AS/ST/ST	13,5	6	1500x800	SB X3 250/320	○	2998.1
1445	250	320	WP/ST/ST	13,5	6	1500x800	SB X3 250/320	○	10039517
1445	500	320	AS/ST/ST	28,0	4	1500x800	SB X3 500/320	○	2999.1
1445	500	320	WP/ST/ST	28,0	4	1500x800	SB X3 500/320	○	10038030
1445	250	412	WP/ST/ST	16,0	3	1500x800	SB X3 250/412	○	3742.1
1445	500	412	WP/ST/ST	23,5	2	1500x800	SB X3 500/412	○	3743.1
1445	250	470	AS/ST/ST	16,0	3	1500x800	SB X3 250/470	○	3114
1445	250	470	WP/ST/ST	16,0	3	1500x800	SB X3 250/470	○	10050554
1445	500	470	AS/ST/ST	24,0	2	1500x800	SB X3 500/470	○	3245
1445	500	470	WP/ST/ST	24,0	2	1500x800	SB X3 500/470	○	10050723
1445	250	635	WP/ST/ST	20,0	3	1500x800	SB X3 250/635	○	3744
1445	500	635	WP/ST/ST	30,0	2	1500x800	SB X3 500/635	○	3371

Bases for floor-mounting

Combinations

Nominal size			Features	Net weight kg	PU/ Pallet pcs.	Pallet WxD	Type	Order no.	
Width	Height	Depth						RAL 7032	RAL 7035
880/440-440	250	320	○	12,5	6	Euro pallet	SBK 3/1-3/1 250/320	○	○
880/440-440	500	320	○	21,0	4	Euro pallet	SBK 3/1-3/1 500/320	○	○
1030/440-590	250	320	AS/ST/ST	14,0	6	Euro pallet	SBK 3/1-4 250/320	3746	○
1030/440-590	500	320	AS/ST/ST	22,0	4	Euro pallet	SBK 3/1-4 500/320	3747	○
1030/590-440	250	320	AS/ST/ST	14,0	6	Euro pallet	SBK 4-3/1 250/320	3129	○
1030/590-440	500	320	AS/ST/ST	22,0	4	Euro pallet	SBK 4-3/1 500/320	3745	○
1180/590-590	250	320	AS/ST/ST	15,0	6	Euro pallet	SBK 4-4 250/320	2143	○
1180/590-590	500	320	AS/ST/ST	23,0	4	Euro pallet	SBK 4-4 500/320	2643	○
1225/440-785	250	320	AS/ST/ST	16,0	6	Euro pallet	SBK 3/1-5 250/320	3748	○
1225/440-785	500	320	AS/ST/ST	24,0	4	Euro pallet	SBK 3/1-5 500/320	3749	○
1225/785-440	250	320	AS/ST/ST	16,0	6	Euro pallet	SBK 5-3/1 250/320	2707	○
1225/785-440	500	320	AS/ST/ST	24,0	4	Euro pallet	SBK 5-3/1 500/320	3750	○
1375/590-785	250	320	AS/ST/ST	17,0	6	1500x800	SBK 4-5 250/320	2142	○
1375/590-785	500	320	AS/ST/ST	27,0	4	1500x800	SBK 4-5 500/320	2167	○
1375/590-785	250	412	○	22,0	3	1500x800	SBK 4-5 250/412	○	○
1375/590-785	500	412	○	29,0	2	1500x800	SBK 4-5 500/412	○	○
1375/590-785	250	470	AS/ST/ST	22,0	3	1500x800	SBK 4-5 250/470	3751	○
1375/590-785	500	470	AS/ST/ST	30,0	2	1500x800	SBK 4-5 500/470	3752	○
1375/785-590	250	320	AS/ST/ST	17,0	6	1500x800	SBK 5-4 250/320	2141	○
1375/785-590	500	320	AS/ST/ST	27,0	4	1500x800	SBK 5-4 500/320	2799	○
1375/785-590	250	412	○	22,0	3	1500x800	SBK 5-4 250/412	○	○
1375/785-590	500	412	○	29,0	2	1500x800	SBK 5-4 500/412	○	○
1375/785-590	250	470	AS/ST/ST	22,0	3	1500x800	SBK 5-4 250/470	3353	○
1375/785-590	500	470	AS/ST/ST	30,0	2	1500x800	SBK 5-4 500/470	3753	○
1570/785-785	250	320	AS/ST/ST	18,0	6	1700x800	SBK 5-5 250/320	2144	○
1570/785-785	500	320	AS/ST/ST	29,0	4	1700x800	SBK 5-5 500/320	2260	○
1570/785-785	250	412	○	24,0	3	1700x800	SBK 5-5 250/412	○	○
1570/785-785	500	412	○	33,0	2	1700x800	SBK 5-5 500/412	○	○
1570/785-785	250	470	AS/ST/ST	24,0	3	1700x800	SBK 5-5 250/470	3132	○
1570/785-785	500	470	AS/ST/ST	35,0	2	1700x800	SBK 5-5 500/470	3075	○
1705/590-1115	250	320	AS/ST/ST	20,0	6	1700x800	SBK 4-6 250/320	3115	○
1705/590-1115	500	320	AS/ST/ST	30,0	4	1700x800	SBK 4-6 500/320	3119	○
1705/590-1115	250	412	○	25,0	3	1700x800	SBK 4-6 250/412	○	○
1705/590-1115	500	412	○	34,0	2	1700x800	SBK 4-6 500/412	○	○
1705/590-1115	250	470	AS/ST/ST	25,0	3	1700x800	SBK 4-6 250/470	3754	○
1705/590-1115	500	470	AS/ST/ST	36,0	2	1700x800	SBK 4-6 500/470	3755	○

Nominal size			Features	Net weight kg	PU/ Pallet pcs.	Pallet WxD	Type	Order no.	
Width	Height	Depth						RAL 7032	RAL 7035
1705/1115-590	250	320	AS/ST/ST	20,0	6	1700x800	SBK 6-4 250/320	3116	○
1705/1115-590	500	320	AS/ST/ST	30,0	4	1700x800	SBK 6-4 500/320	3108	○
1705/1115-590	250	412	○	25,0	3	1700x800	SBK 6-4 250/412	○	○
1705/1115-590	500	412	○	34,0	2	1700x800	SBK 6-4 500/412	○	○
1705/1115-590	250	470	AS/ST/ST	25,0	3	1700x800	SBK 6-4 250/470	3123	○
1705/1115-590	500	470	AS/ST/ST	36,0	2	1700x800	SBK 6-4 500/470	3110	○
1900/785-1115	250	320	AS/ST/ST	21,0	6	2000x800	SBK 5-6 250/320	3117	○
1900/785-1115	500	320	AS/ST/ST	33,0	4	2000x800	SBK 5-6 500/320	3120	○
1900/785-1115	250	412	○	32,0	3	2000x800	SBK 5-6 250/412	○	○
1900/785-1115	500	412	○	39,0	2	2000x800	SBK 5-6 500/412	○	○
1900/785-1115	250	470	AS/ST/ST	27,0	3	2000x800	SBK 5-6 250/470	3756	○
1900/785-1115	500	470	AS/ST/ST	40,0	2	2000x800	SBK 5-6 500/470	3757	○
1900/1115-785	250	320	AS/ST/ST	21,0	6	2000x800	SBK 6-5 250/320	3118	○
1900/1115-785	500	320	AS/ST/ST	33,0	4	2000x800	SBK 6-5 500/320	3121	○
1900/1115-785	250	412	○	32,0	3	2000x800	SBK 6-5 250/412	○	○
1900/1115-785	500	412	○	39,0	2	2000x800	SBK 6-5 500/412	○	○
1900/1115-785	250	470	AS/ST/ST	27,0	3	2000x800	SBK 6-5 250/470	3758	○
1900/1115-785	500	470	AS/ST/ST	40,0	2	2000x800	SBK 6-5 500/470	3759	○

Base extensions

Nominal size			Features	Net weight kg	PU/ Pallet pcs.	Pallet WxD	Type	Order no.	
Width	Height	Depth						RAL 7032	RAL 7035
440	250	200	ST/ST	4,5	18	Euro pallet	SV3 250/180	1399	o
440	500	200	ST/ST	7,6	12	Euro pallet	SV3 500/180	1400	o
440	250	250	ST/ST	5,4	18	Euro pallet	SV3/1 250/250	1466	o
440	500	250	ST/ST	8,8	12	Euro pallet	SV3/1 500/250	1467	o
440	250	320	ST/ST	6,0	12	Euro pallet	SV3/1 250/320	1408	o
440	500	320	ST/ST	10,0	8	Euro pallet	SV3/1 500/320	1409	o
460	250	320	ST/ST	6,0	12	Euro pallet	SV X00 250/320	o	2943
460	500	320	ST/ST	10,0	8	Euro pallet	SV X00 500/320	o	2939
590	250	250	ST/ST	6,2	18	Euro pallet	SV4 250/250	1468	1468.1
590	500	250	ST/ST	10,0	12	Euro pallet	SV4 500/250	1469	1469.1
590	250	320	ST/ST	7,0	12	Euro pallet	SV4 250/320	1401	1401.1
590	500	320	ST/ST	11,0	8	Euro pallet	SV4 500/320	1402	1402.1
590	250	470	ST/ST	9,0	6	Euro pallet	SV4 250/470	3352	10050724
590	500	470	ST/ST	11,0	4	Euro pallet	SV4 500/470	10050847	10050727
785	250	250	ST/ST	7,8	12	Euro pallet	SV5 250/250	1470	1470.1
785	500	250	ST/ST	12,0	8	Euro pallet	SV5 500/250	1471	1471.1
785	250	320	ST/ST	9,0	9	Euro pallet	SV5 250/320	1410	1410.1
785	500	320	ST/ST	13,0	6	Euro pallet	SV5 500/320	1411	1411.1
785	250	470	ST/ST	11,0	4	Euro pallet	SV5 250/470	3351	10050684
785	500	470	ST/ST	16,0	2	Euro pallet	SV5 500/470	10050848	10050728
1115	250	320	ST/ST	11,0	6	Euro pallet	SV6 250/320	1412	1412.1
1115	500	320	ST/ST	17,0	4	Euro pallet	SV6 500/320	1413	1413.1
1115	250	470	ST/ST	14,0	3	Euro pallet	SV6 250/470	3007	10050725
1115	500	470	ST/ST	20,0	2	Euro pallet	SV6 500/470	3165	10050729
1445	250	320	ST/ST	13,0	6	1500x800	SV X3 250/320	o	3003
1445	500	320	ST/ST	23,0	4	1500x800	SV X3 500/320	o	10038384
1445	250	470	ST/ST	16,0	3	1500x800	SV X3 250/470	o	10050726
1445	500	470	ST/ST	23,0	2	1500x800	SV X3 500/470	o	10050730

Fairground bases

Ground-mounted bases with flap

Nominal size			Features	Net weight kg	PU/ Pallet pcs.	Pallet WxD	Type	Order no.	
Width	Height	Depth						RAL 7032	RAL 7035
440	950	320	AS/ST/SC	15,0	4	Euro pallet	FP S3/1 950/320	2283	o
460	950	320	AS/ST/SC	15,0	4	Euro pallet	FP S X00 950/320	o	2282
590	950	320	AS/ST/SC	17,0	4	Euro pallet	FP S4 950/320	2284	2284.1
785	950	320	AS/ST/SC	19,0	2	Euro pallet	FP S5 950/320	2285	2285.1
1115	950	320	AS/ST/SC	25,0	2	Euro pallet	FP S6 950/320	2286	2286.1

Bases for floor-mounting with flap

Nominal size			Features	Net weight kg	PU/ Pallet pcs.	Pallet WxD	Type	Order no.	
Width	Height	Depth						RAL 7032	RAL 7035
440	500	320	AS/ST/ST	12,0	4	Euro pallet	FP SB3/1 500/320	2661	o
590	500	320	AS/ST/ST	14,5	4	Euro pallet	FP SB4 500/320	2889	o
785	500	320	AS/ST/ST	17,0	2	Euro pallet	FP SB5 500/320	2660	o
1115	500	320	AS/ST/ST	23,0	2	Euro pallet	FP SB6 500/320	2860	o

Ground-mounted bases with slide cover

Nominal size			Features	Net weight kg	PU/ Pallet pcs.	Pallet WxD	Type	Order no.	
Width	Height	Depth						RAL 7032	RAL 7035
460	950	320	WP/ST/ST, 1xRS120	14,0	20	1200x1000	S X00 950/320 RS	o	10019317
590	950	320	WP/ST/ST, 1xRS120 middle	15,0	20	1200x1000	S4 950/320 RS	10019431	10016637
785	950	320	WP/ST/ST, 1xRS120 middle	18,0	20	1200x1000	S5 950/320 RS	10017690	10017791
785	950	320	WP/ST/ST, 2xRS120	18,0	20	1200x1000	S5 950/320 RS	10018340	10028566
1115	950	320	WP/ST/ST, 2xRS120	23,0	20	1200x1250	S6 950/320 RS	10018037	10016874
1445	950	320	WP/ST/ST, 3xRS120	23,0	10	1500x800	S X3 950/320 RS	o	10028103

Bases for floor-mounting with slide cover

Nominal size			Features	Net weight kg	PU/ Pallet pcs.	Pallet WxD	Type	Order no.	
Width	Height	Depth						RAL 7032	RAL 7035
460	500	320	WP/ST/ST, 1xRS120 middle	11,0	8	1500x800	SB X00 500/320 RS	o	10051226
590	500	320	WP/ST/ST, 1xRS120 middle	11,5	8	1500x800	SB4 500/320 RS	10051224	10051225
785	500	320	WP/ST/ST, 1xRS120 middle	14,0	6	1500x800	SB5 500/320 RS	10051221	10038813
1115	500	320	WP/ST/ST, 2xRS120	17,5	4	1500x800	SB6 500/320 RS	10051222	10036991
1445	500	320	WP/ST/ST, 3xRS120	28,0	4	1500x800	SB X3 500/320 RS	o	10051223

Polyester pillars

Nominal size			RAL-color		Front	Net weight	PU/ Pallet	Pallet	Type	Order no.	
Width	Height	Depth	7035	7032						flat	kg
208	1303	116		●	●	4,60	25	1500x800	Distribution pillar 100	10015501	-
208	1303	116		●	●	4,70	25	1500x800	Distribution pillar 100, with top-hat rail	10016779	-
208	1303	116		●	●	4,70	25	1500x800	Distribution pillar 100, with profile rail	4491149	-
296	1140	161		●	●	11,0	10	Euro pallet	Distribution pillar 270	4491240	-
345	1450	240	●		●	13,0	8	Euro pallet	Distribution pillar 306, AS	3291	○
345	1450	240	●		●	13,0	8	Euro pallet	Distribution pillar 306, WP	10050741	○
345	1600	240	●		●	16,0	8	Euro pallet	Distribution pillar 308, AS	3292	○
345	1600	240	●		●	16,0	8	Euro pallet	Distribution pillar 308, WP	10050643	○
350	1710	278	●		●	22,0	8	Euro pallet	Distribution pillar 310, AS	2947	○
350	1710	278	●		●	22,0	8	Euro pallet	Distribution pillar 310, WP	10050389	○
583	1710	278	●		●	30,0	4	Euro pallet	Distribution pillar 320, AS	2948	○
583	1710	278	●		●	30,0	4	Euro pallet	Distribution pillar 320, WP	10037047	○
350	2010	278	●		●	26,0	8	Euro pallet	Distribution pillar 330, AS	2949	○
350	2010	278	●		●	26,0	8	Euro pallet	Distribution pillar 330, WP	10051178	○
583	2010	278	●		●	36,0	4	Euro pallet	Distribution pillar 340, AS	2950	○
583	2010	278	●		●	36,0	4	Euro pallet	Distribution pillar 340, WP	10038417	○

Series single-shell

Nominal size			RAL-color		Front	Net weight	PU/ Pallet	Pallet	Type	Order no.	
Width	Height	Depth	7035	7032							flat
265	385	130	●	●			2,0	60	Euro pallet	PUP 265/385/130 (KÜK), EHZ	3819
320	320	160	●	●			4,0	30	Euro pallet	PUP 320/320/160 (E0), EHZ	4491202
320	520	180	●	●			4,0	20	Euro pallet	PUP 320/520/180 (E1), EHZ	4491152
330	440	150	●	●			3,0	20	Euro pallet	PUP 330/440/150 (VSK), EHZ	3820
440	330	150	●	●			3,0	20	Euro pallet	PUP 440/330/150, EHZ	4491346
450	450	130	●	●			4,0	10	Euro pallet	PUP 450/450/130, EHZ	3822
450	450	165	●	●			5,0	10	Euro pallet	PUP 450/450/165, EHZ	3823
450	600	165	●	●			6,0	10	Euro pallet	PUP 450/600/165, EHZ	3826
472	712	180	●	●			8,0	10	Euro pallet	PUP 472/712/180 (E3), EHZ	4491145
600	450	130	●	●			5,0	10	Euro pallet	PUP 600/450/130, EHZ	3828
600	450	165	●	●			2,0	10	Euro pallet	PUP 600/450/165, EHZ	3830
712	472	180	●	●			9,0	10	Euro pallet	PUP 712/472/180, EHZ	3832

Series E

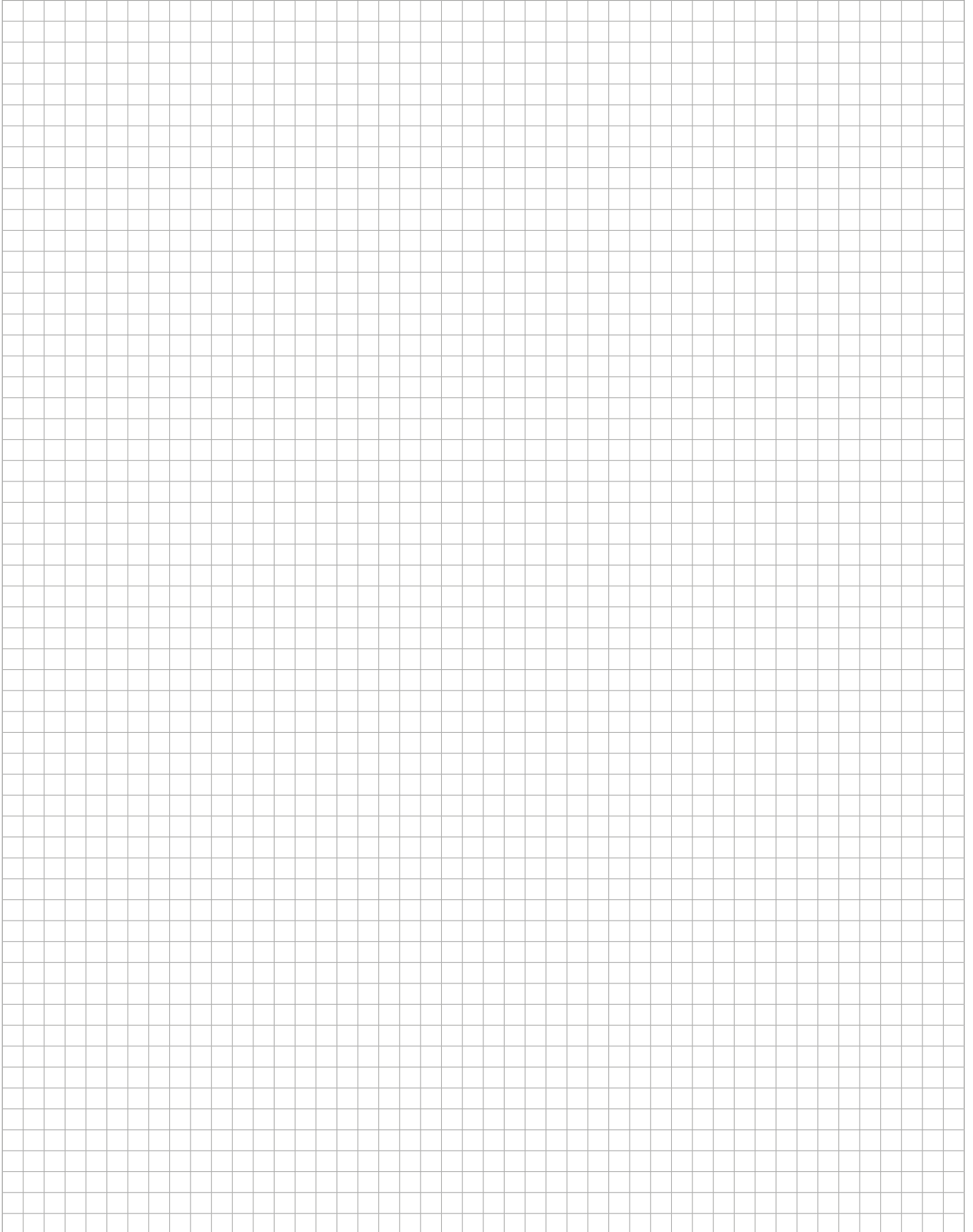
Nominal size			RAL-color		Front flat ribs	Net weight kg	PU/Pallet pcs.	Pallet WxD	Type	Order no.	
Width	Height	Depth	7035	7032						IP 44	IP 54
440	620	250	●	●		12,0	6	Euro pallet	E3/1 620/250	4491377	○
440	820	200	●	●		14,0	6	Euro pallet	E3/1 820/200	3871	○
440	820	250	●	●		15,0	6	Euro pallet	E3/1 820/250	4491275.1	○
440	820	320	●	●		18,0	5	Euro pallet	E3/1 820/320	4491276.1	○
440	1050	200	●	●		18,0	5	Euro pallet	E3/1 1050/200	3872	○
440	1050	250	●	●		15,0	5	Euro pallet	E3/1 1050/250	4491283.1	○
440	1050	320	●	●		18,0	5	Euro pallet	E3/1 1050/320	4491284.1	○
590	820	200	●	●		16,0	5	Euro pallet	E4 820/200	3873	○
590	820	250	●	●		17,0	5	Euro pallet	E4 820/250	4491277.1	○
590	820	320	●	●		19,0	5	Euro pallet	E4 820/320	4491278.1	○
590	1050	200	●	●		21,0	5	Euro pallet	E4 1050/200	3874	○
590	1050	250	●	●		21,0	5	Euro pallet	E4 1050/250	4491285.1	○
590	1050	320	●	●		23,0	5	Euro pallet	E4 1050/320	4491286.1	○
590	1350	200	●	●		27,0	4	Euro pallet	E4 1350/200	3875	○
590	1350	250	●	●		28,0	4	Euro pallet	E4 1350/250	3395.UP	○
590	1350	320	●	●		31,0	4	Euro pallet	E4 1350/320	3397.UP	○
785	820	200	●	●		19,0	5	Euro pallet	E5 820/200	3876	○
785	820	250	●	●		20,0	5	Euro pallet	E5 820/250	4491279.1	○
785	820	320	●	●		22,0	4	Euro pallet	E5 820/320	4491280.1	○
785	1050	200	●	●		25,0	5	Euro pallet	E5 1050/200	3877	○
785	1050	250	●	●		25,0	5	Euro pallet	E5 1050/250	4491287.1	○
785	1050	320	●	●		27,0	4	Euro pallet	E5 1050/320	4491288.1	○
785	1350	200	●	●		34,0	5	Euro pallet	E5 1350/200	3878	○
785	1350	250	●	●		35,0	5	Euro pallet	E5 1350/250	3396.UP	○
785	1350	320	●	●		37,0	4	Euro pallet	E5 1350/320	3398.UP	○
1115	820	200	●	●		26,0	2	Euro pallet	E6 820/200	3868	○
1115	820	250	●	●		28,0	2	Euro pallet	E6 820/250	4491281.1	○
1115	820	320	●	●		30,0	2	Euro pallet	E6 820/320	4491282.1	○
1115	1050	200	●	●		33,0	2	Euro pallet	E6 1050/200	3869	○
1115	1050	250	●	●		34,0	2	Euro pallet	E6 1050/250	4491289.1	○
1115	1050	320	●	●		35,0	2	Euro pallet	E6 1050/320	4491290.1	○
1115	1350	200	●	●		45,0	2	Euro pallet	E6 1350/200	3870	○
1115	1350	250	●	●		47,0	2	Euro pallet	E6 1350/250	3465.UP	○
1115	1350	320	●	●		49,0	2	Euro pallet	E6 1350/320	3399.UP	○

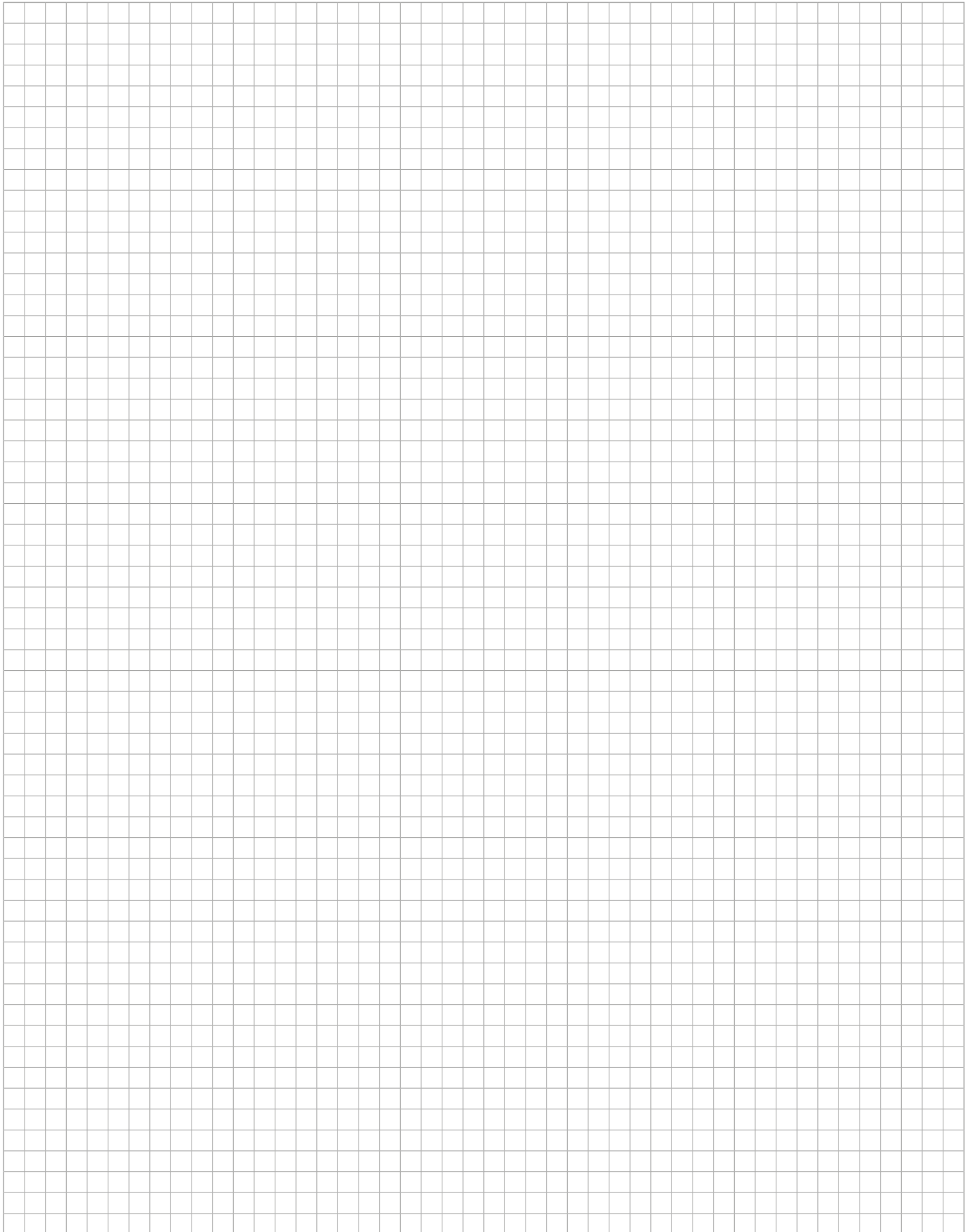
Series single-shell

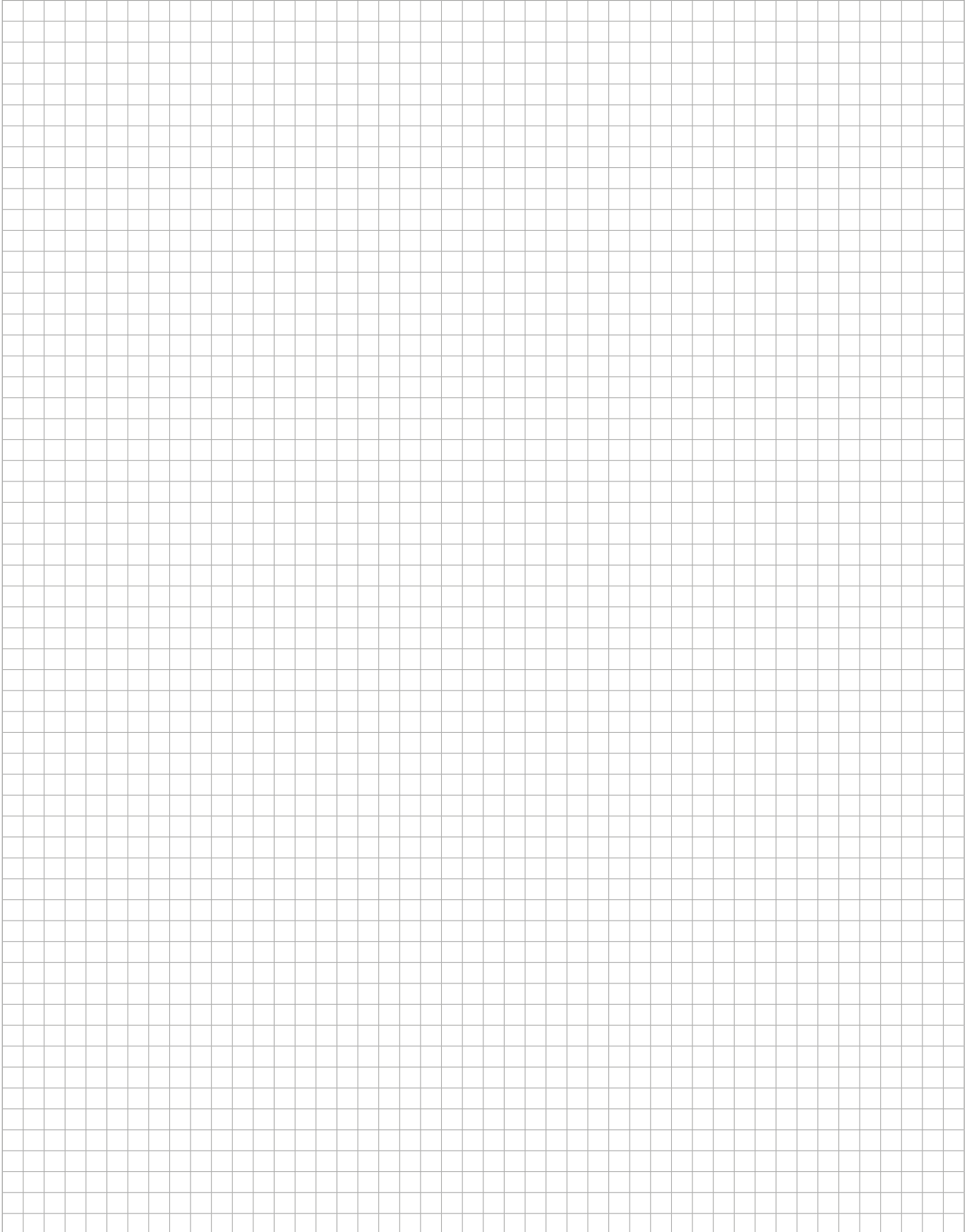
Nominal size			RAL-color		Front flat ribs	Net weight kg	PU/Pallet pcs.	Pallet WxD	Type	Order no. IP 44
Width	Height	Depth	7035	7032						
250	320	150	●	●		3,0	50	Euro pallet	PAP 250/320/150 (KHAS)	0151.1
265	385	130	●	●		2,0	60	Euro pallet	PAP 265/385/130 (KÜK), EHZ	3313
320	320	160	●	●		4,0	30	Euro pallet	PAP 320/320/160 (A0), EHZ	4491202.AP
320	520	180	●	●		5,0	20	Euro pallet	PAP 320/520/180 (A1), EHZ	4491267
330	440	150	●	●		3,0	20	Euro pallet	PAP 330/440/150 (VSK), EHZ	3583
440	330	150	●	●		3,0	20	Euro pallet	PAP 440/330/150, EHZ	4491346.AP
450	450	130	●	●		4,0	10	Euro pallet	PAP 450/450/130, EHZ	3821
450	450	165	●	●		5,0	10	Euro pallet	PAP 450/450/165, EHZ	3824
450	600	165	●	●		6,0	10	Euro pallet	PAP 450/600/165, EHZ	3825
472	712	180	●	●		9,0	10	Euro pallet	PAP 472/712/180 (A3), EHZ	4491270
600	450	130	●	●		5,0	10	Euro pallet	PAP 600/450/130, EHZ	3827
600	450	165	●	●		2,0	10	Euro pallet	PAP 600/450/165, EHZ	3829
712	472	180	●	●		9,0	10	Euro pallet	PAP 712/472/180, EHZ	3831

Series A

Nominal size			RAL-color		Front	Net weight	PU/ Pallet	Pallet	Type	Order no.	
Width	Height	Depth	7035	7032	flat ribs	kg	pcs.	WxD		IP 44	IP 54
440	650	250	●	●		14,0	6	Euro pallet	A3/1 650/250	1443.1.AP	1443.1.AP.54
440	850	200	●	●		16,0	6	Euro pallet	A3/1 850/200	0596.1.AP	0596.1.AP.54
440	850	250	●	●		17,0	4	Euro pallet	A3/1 850/250	1451.1.AP	1451.1.AP.54
440	850	320	●	●		19,0	4	Euro pallet	A3/1 850/320	0579.1.AP	0579.1.AP.54
440	1080	250	●	●		20,0	4	Euro pallet	A3/1 1080/250	1452.AP	1452.AP.54
440	1080	320	●	●		21,0	4	Euro pallet	A3/1 1080/320	0580.1.AP	0580.1.AP
590	850	250	●	●		20,0	4	Euro pallet	A4 850/250	1453.AP	1453.AP.54
590	850	320	●	●		22,0	4	Euro pallet	A4 850/320	0284.1.AP	0284.1.AP.54
590	1080	250	●	●		24,0	4	Euro pallet	A4 1080/250	1454.AP	1454.AP.54
590	1080	320	●	●		25,0	4	Euro pallet	A4 1080/320	0318.1.AP	0318.AP.54
590	1350	250	●	●		31,0	4	1500x800	A4 1350/250	3395.AP	3395.AP.54
590	1350	320	●	●		33,0	4	1500x800	A4 1350/320	3397.AP	3397.AP.54
785	850	250	●	●		24,0	3	Euro pallet	A5 850/250	1455.AP	1455.AP.54
785	850	320	●	●		25,0	3	Euro pallet	A5 850/320	0285.AP	0285.AP.54
785	1080	250	●	●		29,0	3	Euro pallet	A5 1080/250	1456.AP	1456.AP.54
785	1080	320	●	●		30,0	3	Euro pallet	A5 1080/320	0319.1.AP	0319.54.AP
785	1350	250	●	●		38,0	3	1500x800	A5 1350/250	3396.AP	3396.AP.54
785	1350	320	●	●		41,0	3	1500x800	A5 1350/320	3398.AP	3398.AP.54
1115	850	320	●	●		34,0	3	1200x1000	A6 850/320	0537.AP	0537.AP.54
1115	1080	320	●	●		39,0	3	1200x1200	A6 1080/320	0552.AP	0552.AP.54
1115	1350	320	●	●		53,0	2	1500x1100	A6 1350/320	3399.AP	3399.AP.54







ENERGY

WE ENERGIZE
THE WORLD

07-2020 DE

ELSTA Mosdorfer GmbH
Bahnstraße 29, 8430 Kaindorf/Sulm, Austria
Phone +43 3452 71660-0
office@elsta.com

