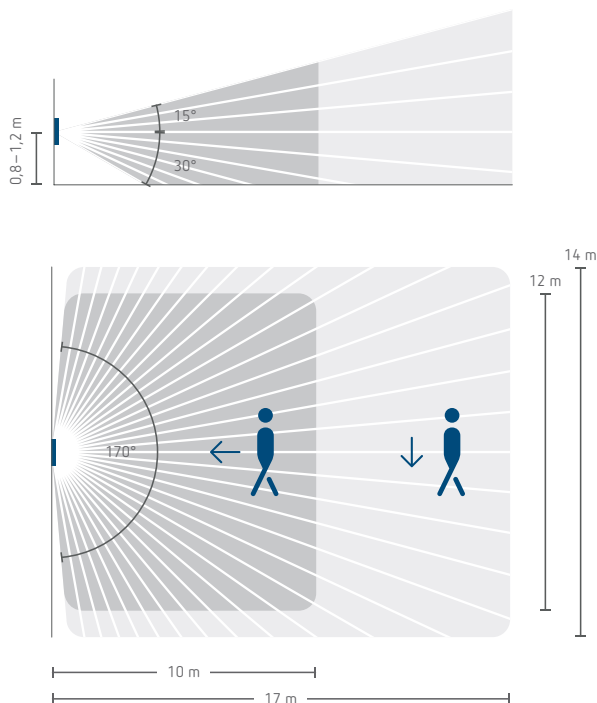


Perfectly versatile
theMura motion / presence detector from Theben
for standard switch ranges

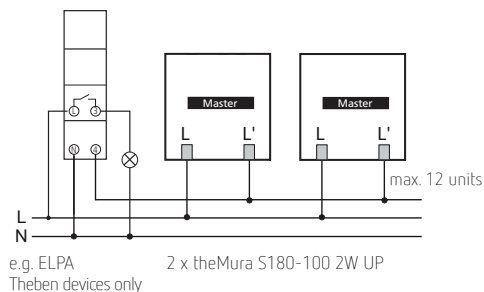


Technical information theMura

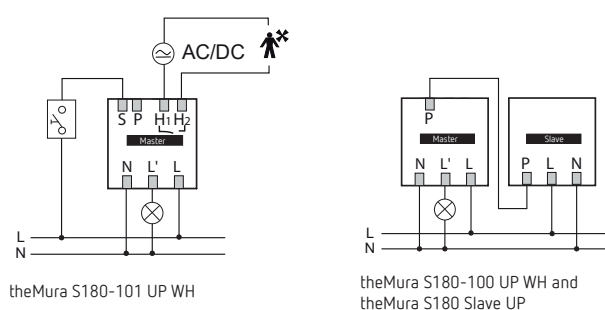
Detection area



theMura 2-wire detector wiring diagram



theMura 3-wire detector wiring diagram



The universal experts for energy-efficient lighting control



theMura basic unit
(theMura S180 ... B UP)



E.g. B J
adapter frame +
button cover
(item no. 9070788)



B J balance S I
frame (not included
in the scope of supply!)



theMura flush-mounted motion and presence detectors from Theben can be used universally for the switch ranges of all leading manufacturers. The scope of supply depends on the respective switch range.

More information at www.theben.de/en/theMura

Energy-efficient lighting control
can be so easy and flexible!

Versatility can be so attractive & clever

Flush-mounted wall detectors are particularly discreet. This is all well and good, but it's even better when they seamlessly blend in with your interior thanks to their attractive design. It's also a bonus if they can be used universally for virtually all the switch ranges of leading manufacturers and if they can incorporate 2-wire or 3-wire devices for your specific application.

How does it work? The Theben theMura flush-mounted motion and presence detector is simple and completely versatile. Thanks to the particularly sleek design, they are strikingly discreet from every angle. They can also be used for any standard switch range thanks to the wide portfolio of available accessory sets. Simply clever. Simply beautiful. Simply Theben.



Highlights at a glance

- Attractive, sleek design
- Large detection area of 14 x 17 m
- Flexible expansion thanks to master/slave
- Integrated button (can be deactivated)
- The accessory sets make theMura the perfect option for the currently used switch range

For all your needs theMura

theMura wall detector is perfect for energy-efficient lighting control, e.g. in corridors, stairways, cellars and toilets – available as a motion or presence detector. The 2-wire detectors are most suitable for renovations and conversions in combination with a staircase light timer switch from Theben. The 3-wire detectors can also be used in new buildings and feature practical additional functions as a presence detector.



Motion and presence detectors

2in1

**Two in one:
with integrated
button**

The lighting can be switched on and off manually using the integrated button. If this function is not required, it can simply be deactivated.



**Completely safe:
staircase light
function**

With theMura, nobody trips up. Not even on the stairs. The light can be switched on using the button, but it only goes off when there is no more movement on the stairs. This prevents someone from being suddenly left in the dark because someone else has switched off the light.



**Clever:
teach-in
function**

Lighting conditions change quickly – so it's good when you can simply save them when they are exactly how you want them. The current lux value can be permanently saved using the teach-in function. Without specialist knowledge. By the end user. It couldn't be easier.

Presence detector



**Leading the way:
orientation light**

The orientation light ensures increased safety in corridors and stairways. After the automatic switch-off of the main light, it remains activated for an adjustable run-on time or permanently (depending on the brightness levels). Be on the safe side.



**Listen up:
acoustic function**

In rooms such as toilets, it may make sense to let the noise level decide whether the light should be switched off again. With theMura, the integrated microphone can also be used to specify the run-on time. Completely practical.



**Remote operation:
via remote control
and the app**

In order to use all of the functions, theSenda B remote control needs to be used in combination with the free theSenda Plug app.

Everything you need to know theMura at a glance

Product selection

Type of installation	Channel	Connection	Cover	Type	Item no.
Wall mounting	Light	3-wire	Theben design	theMura S180-100 UP WH	2060650
			–	theMura S180-100 B UP	2060750
	Light Presence	3-wire	Theben design	theMura S180-101 UP WH	2060655
			–	theMura S180-101 B UP	2060755
	Slave	3-wire	Theben design	theMura S180 Slave UP WH	2060660
			–	theMura S180 Slave B UP	2060760
	For staircase light timer switch	2-wire	Theben design	theMura S180-100 2W UP WH	2060670
			–	theMura S180-100 2W B UP	2060770

Technical data

	theMura S180-100	theMura S180-101	theMura S180 Slave	theMura S180-100 2W
Detector type	Motion detector	Presence detector	Motion/presence detector	Motion detector
Operating voltage	230 V AC			
Frequency	50–60 Hz			
Power consumption	0.4 W			0.2 W
Light switching capacity	Incandescent lamp load: 2300 W LED lamps < 2 W: type 40 W / > 2 W: type 450 W		–	Only to control the Theben staircase light timer switch
Presence switching capacity	–	50 W/2A	–	–
Brightness setting range	5–1000 lx	5–3000 lx	–	5–1000 lx
Lighting run-on time	10 s – 30 min/pulse	10 s – 60 min/pulse	–	Pulse
Presence switch-on delay	–	0 s–10 min	–	–
Presence run-on time	–	10 s–120 min	–	–
Integrated button	✓	✓	✓	✓
Connection of external button	–	✓	–	–
Fully or semi-automatic device	✓	✓	(✓)	–
Staircase light function	✓	✓	(✓)	–
Extended function	✓	✓	(✓)	–
Pulse function	✓	✓	–	(✓)
Detection area test	✓	✓	✓	✓
Teach-in	✓	✓	–	✓
Setting via potentiometers	✓	✓	–	✓
Master/slave parallel switching	✓	✓	✓	Parallel switching
Orientation light	–	✓	–	–
Acoustic function	–	✓	–	–
Remote operation	–	✓	–	–
Automatic calibration of brightness measurement	–	✓	–	–
Short-term presence	–	✓	–	–
Configurable sensitivity	–	✓	–	–
Ambient temperature	–15 °C to +45 °C			
Protection rating	IP 20			

Theben is a member of:



Follow Theben online:



theben

Theben AG
Hohenbergstraße 32
72401 Haigerloch, Germany
Phone +49 7474 692-0
Fax +49 7474 692-150
info@theben.de
www.theben.de/en

Service hotline
hotline@theben.de
+49 7474 692-369
Mo–Th 7:00–18:00, Fr 7:00–16:00

9900632 3219 Subject to technical changes and improvements.

